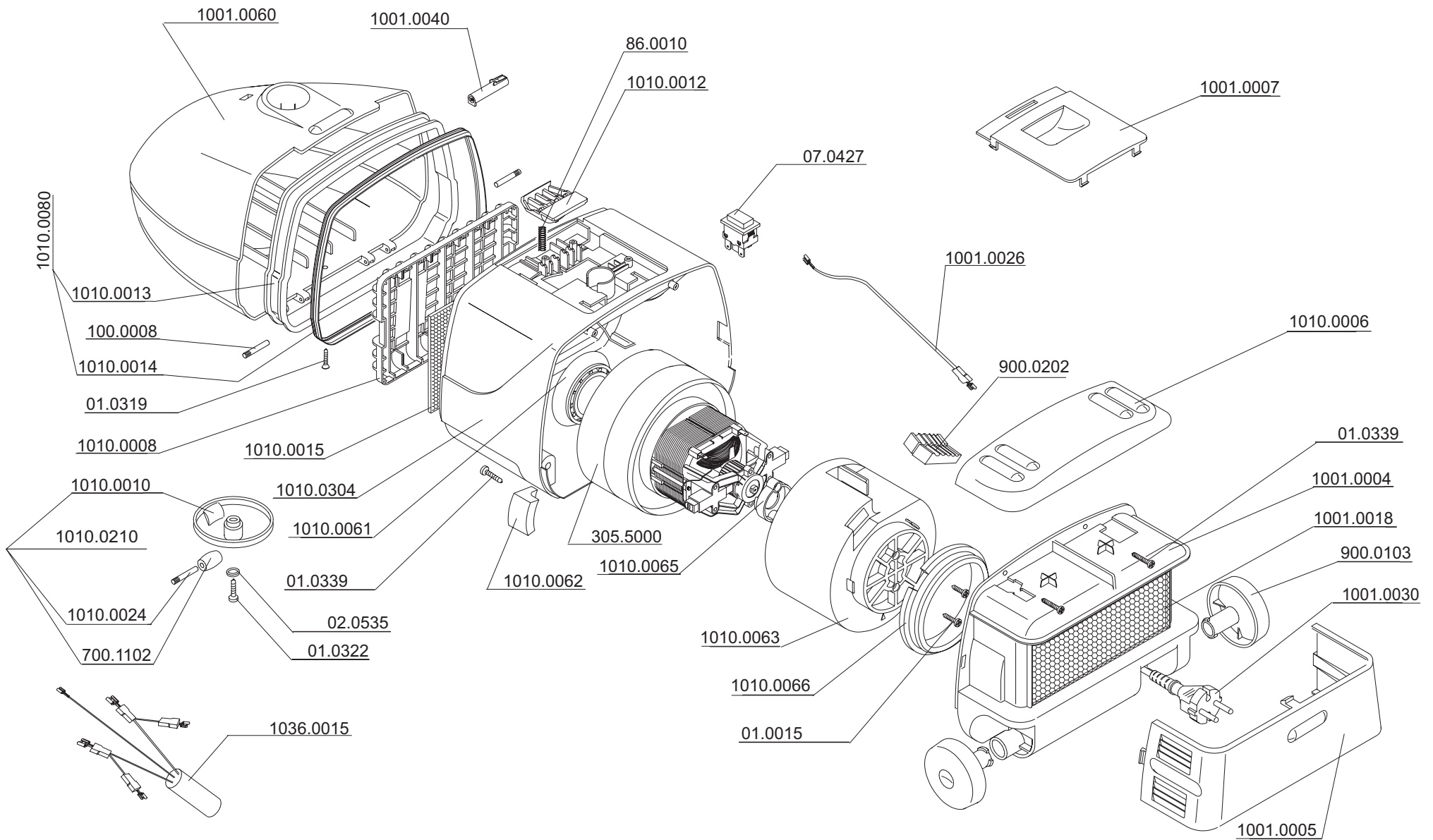


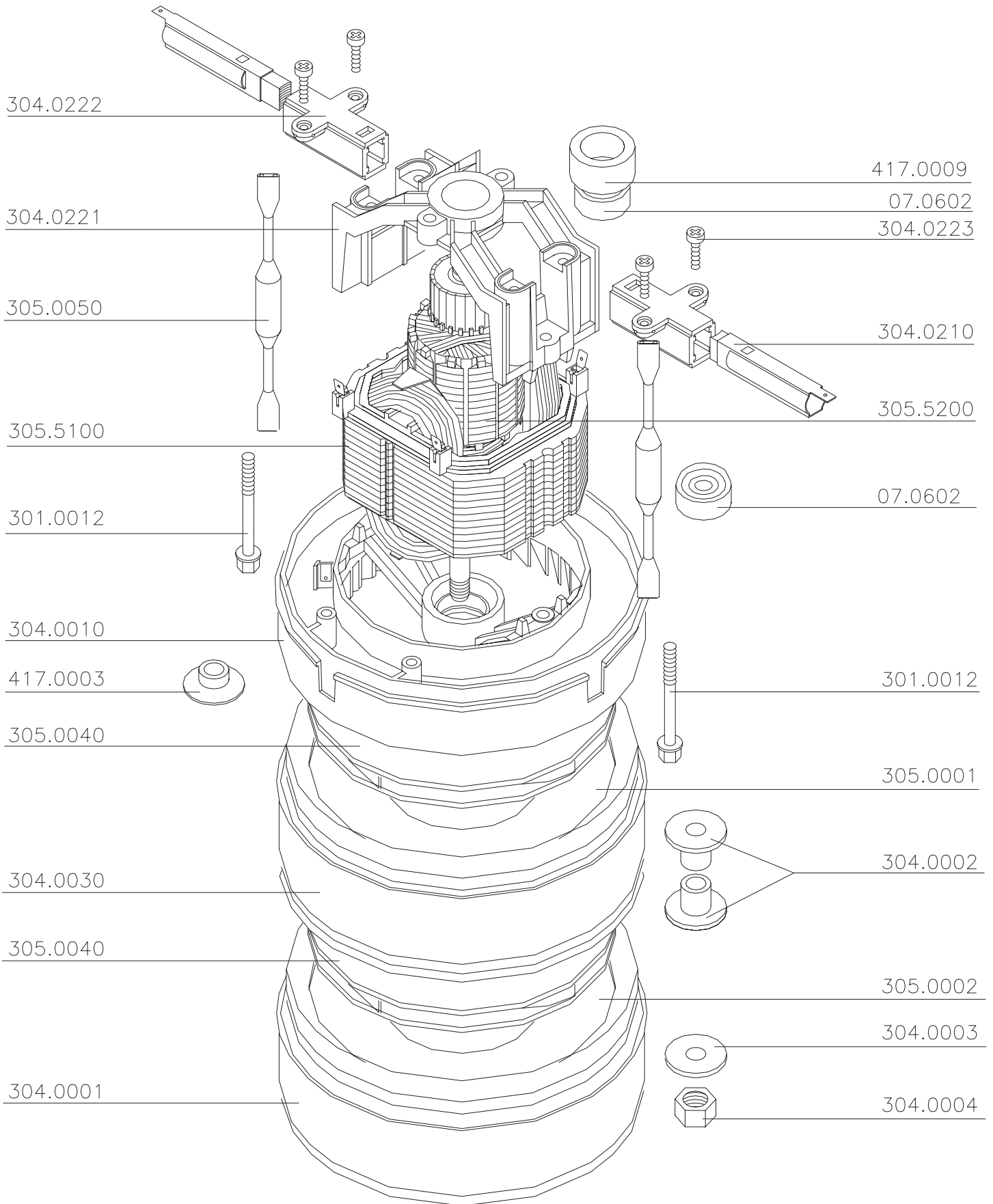
I VACUUM CLEANER

ZELMER TYPE 1010 (ORANGE Z 2046)

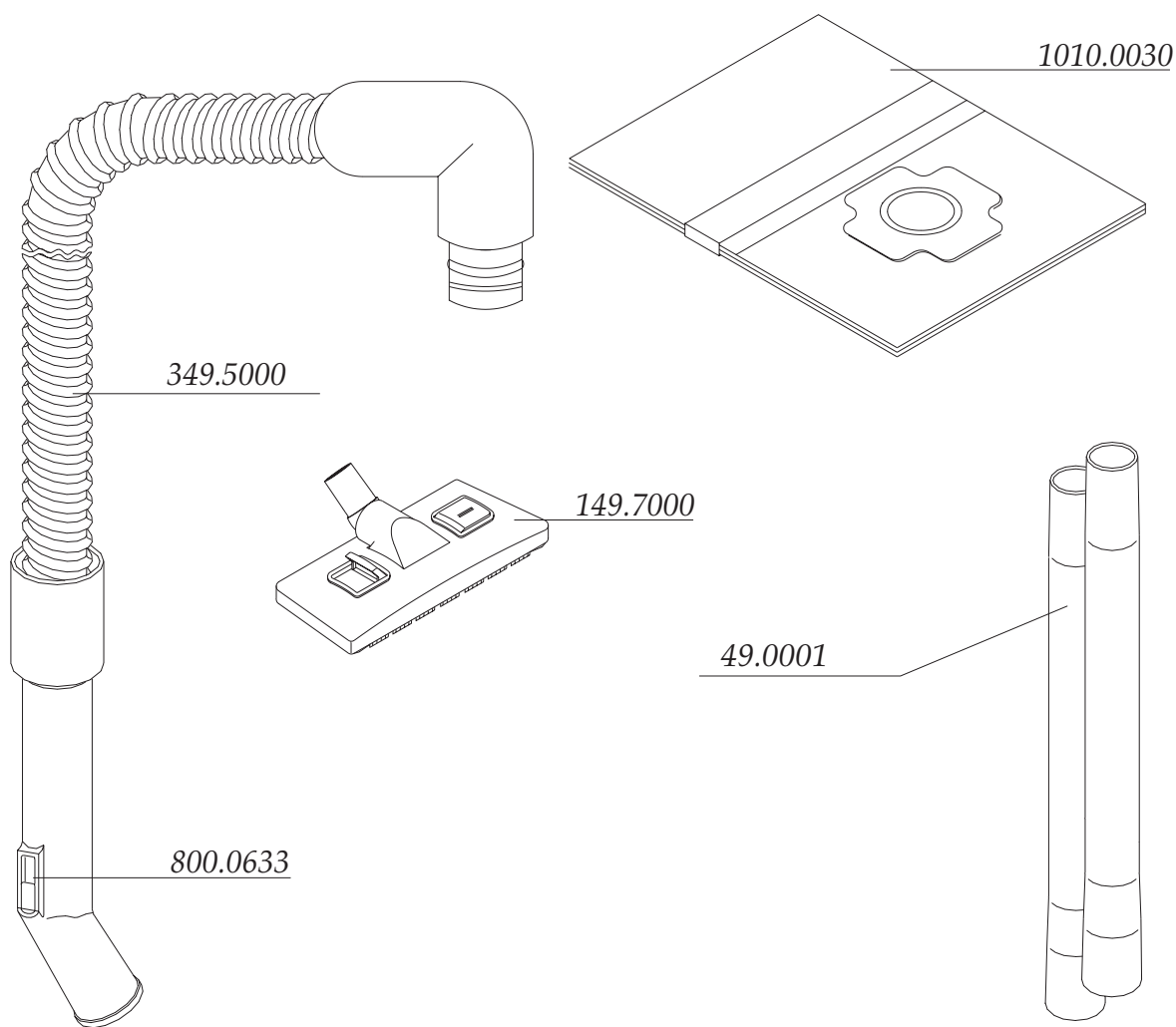
ZELMER HUNGARY



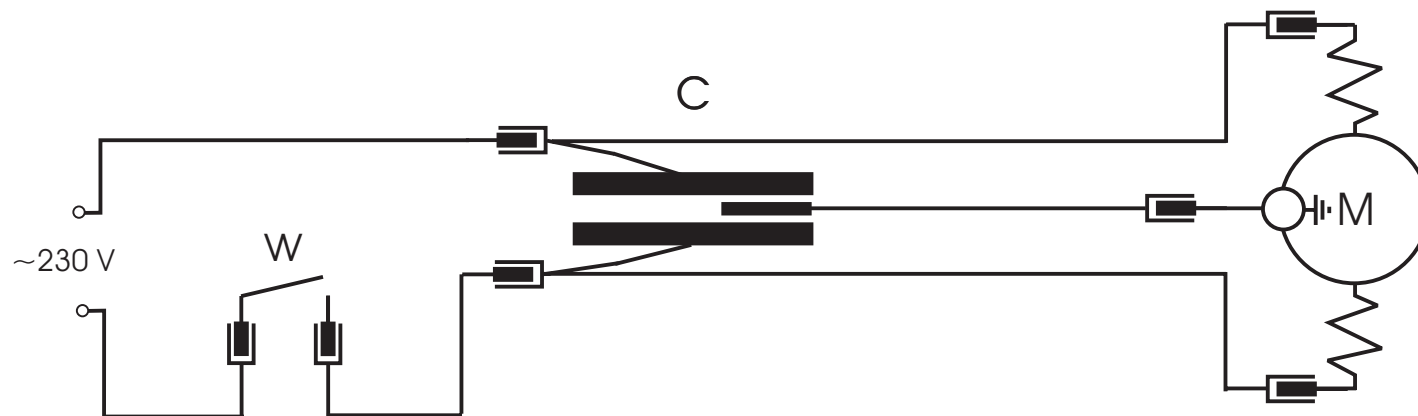
II SUCTION UNIT 305.5000



IV VACUUM CLEANER ACCESSORIES
ZELMER TYPE 1010 (ORANGE Z 2046)
ZELMER HUNGARY



**V ELECTRICAL DIAGRAM OF THE VACUUM CLEANER
ZELMER TYPE 1010 (ORANGE Z 2046)
ZELMER HUNGARY**



- M -suction unit
- W -main switch
- C -capacitor