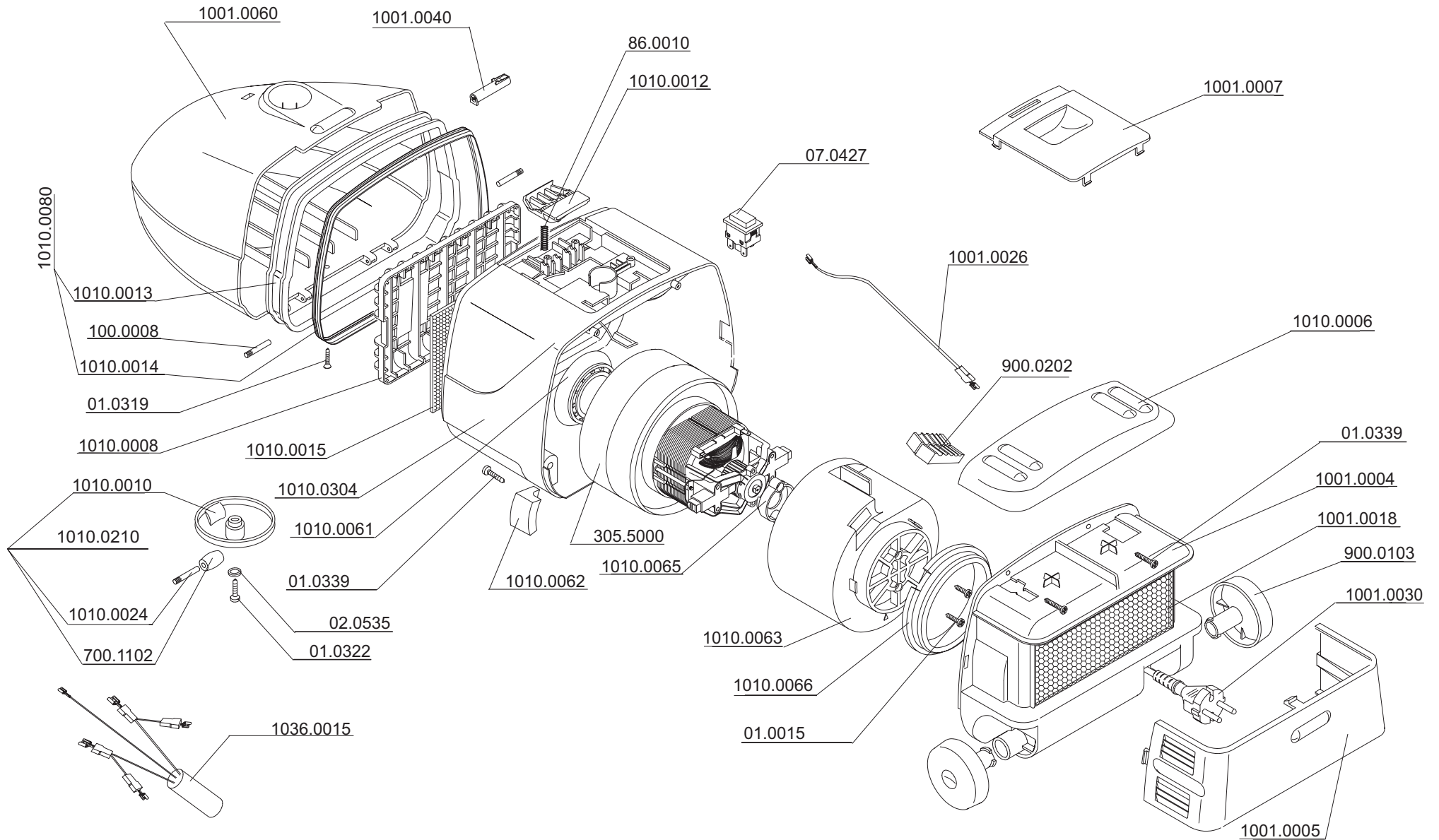


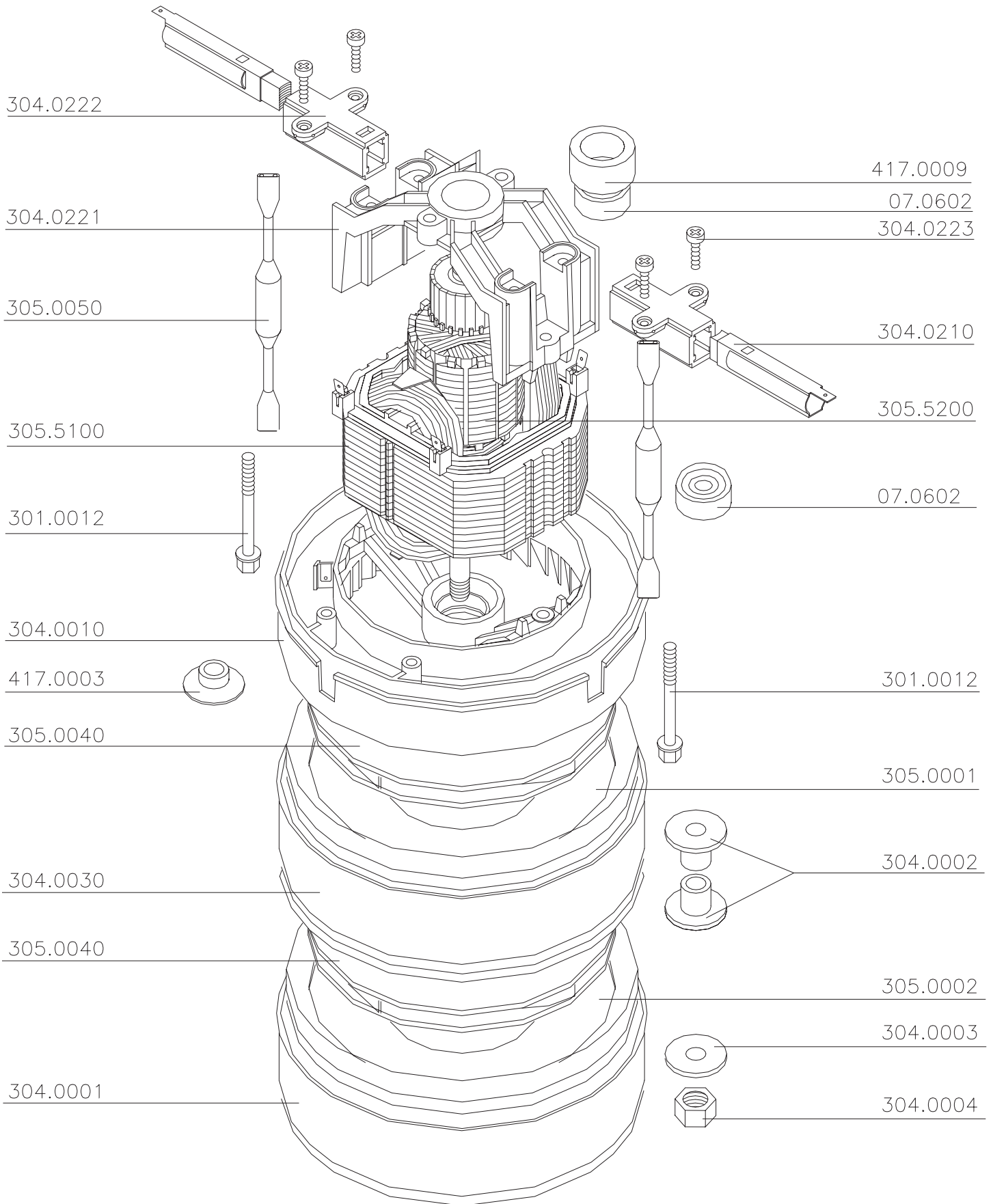
# I VACUUM CLEANER

## ZELMER TYPE 1010 (BLUE RAL 5022)

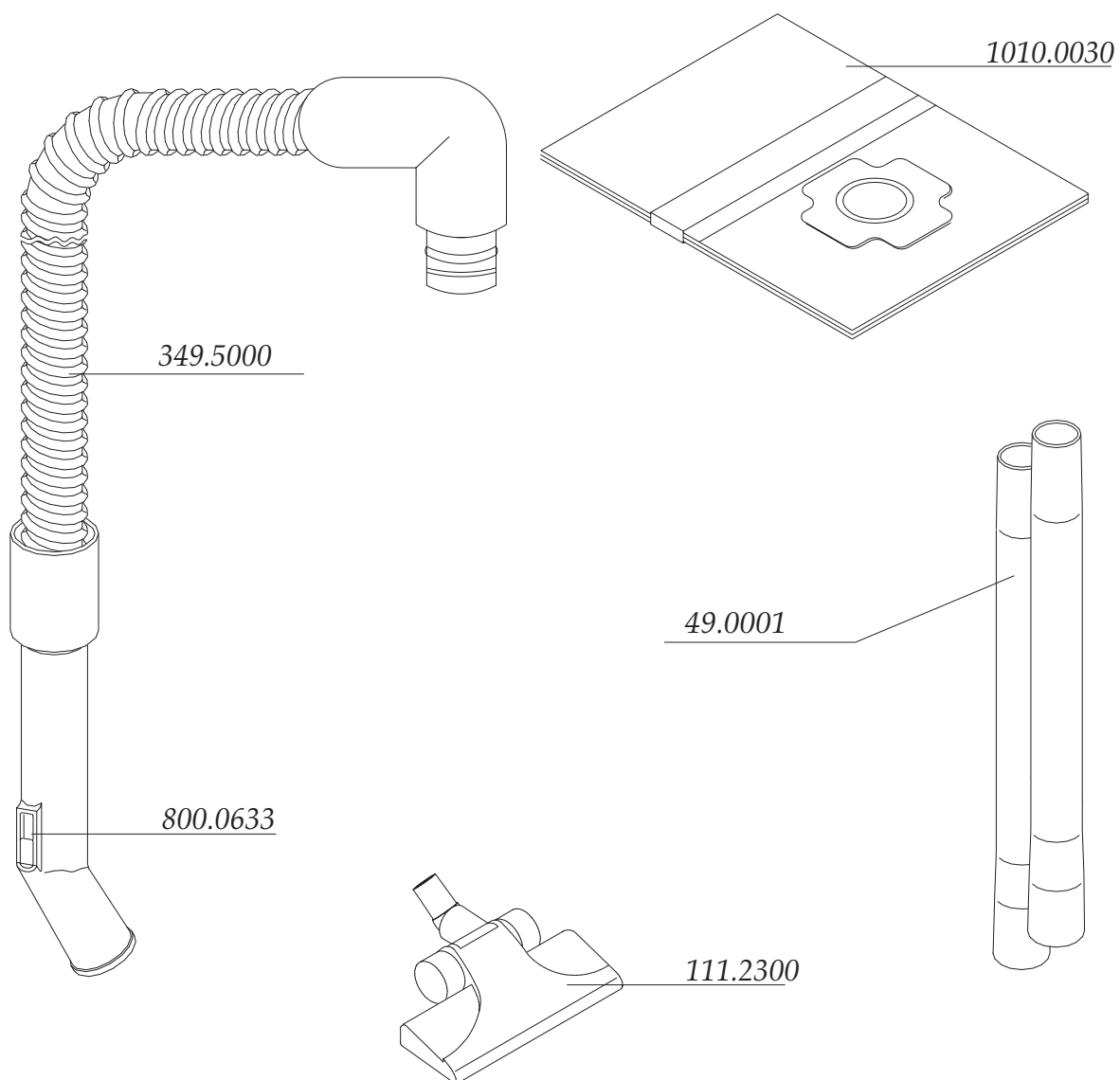
### ZELMER HUNGARY



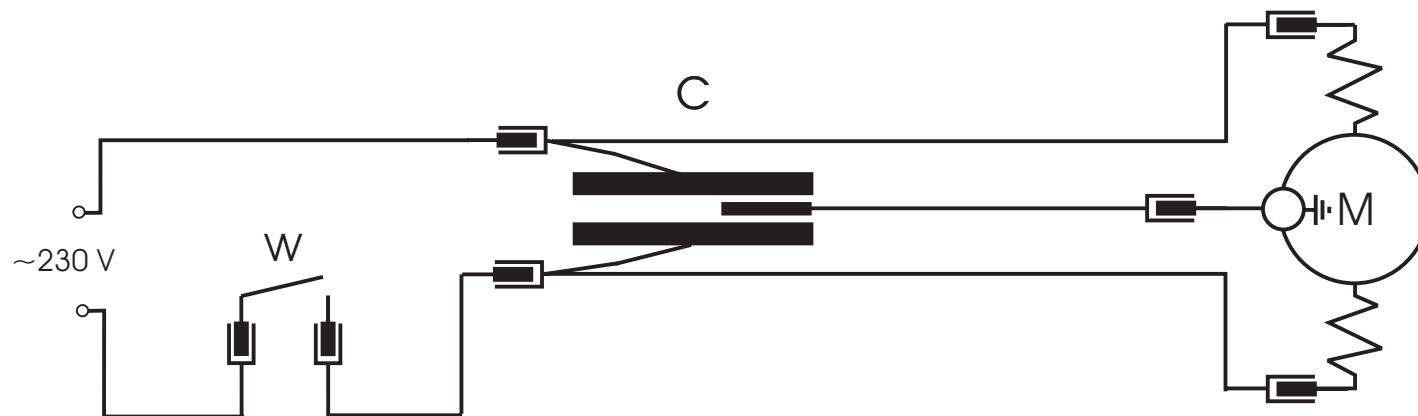
## II SUCTION UNIT 305.5000



**IV VACUUM CLEANER ACCESSORIES**  
**ZELMER TYPE 1010 (BLUE RAL 5022)**  
**ZELMER HUNGARY**



**V ELECTRICAL DIAGRAM OF THE VACUUM CLEANER  
ZELMER TYPE 1010 (BLUE RAL 5022)  
ZELMER HUNGARY**



- M -suction unit
- W -main switch
- C -capacitor