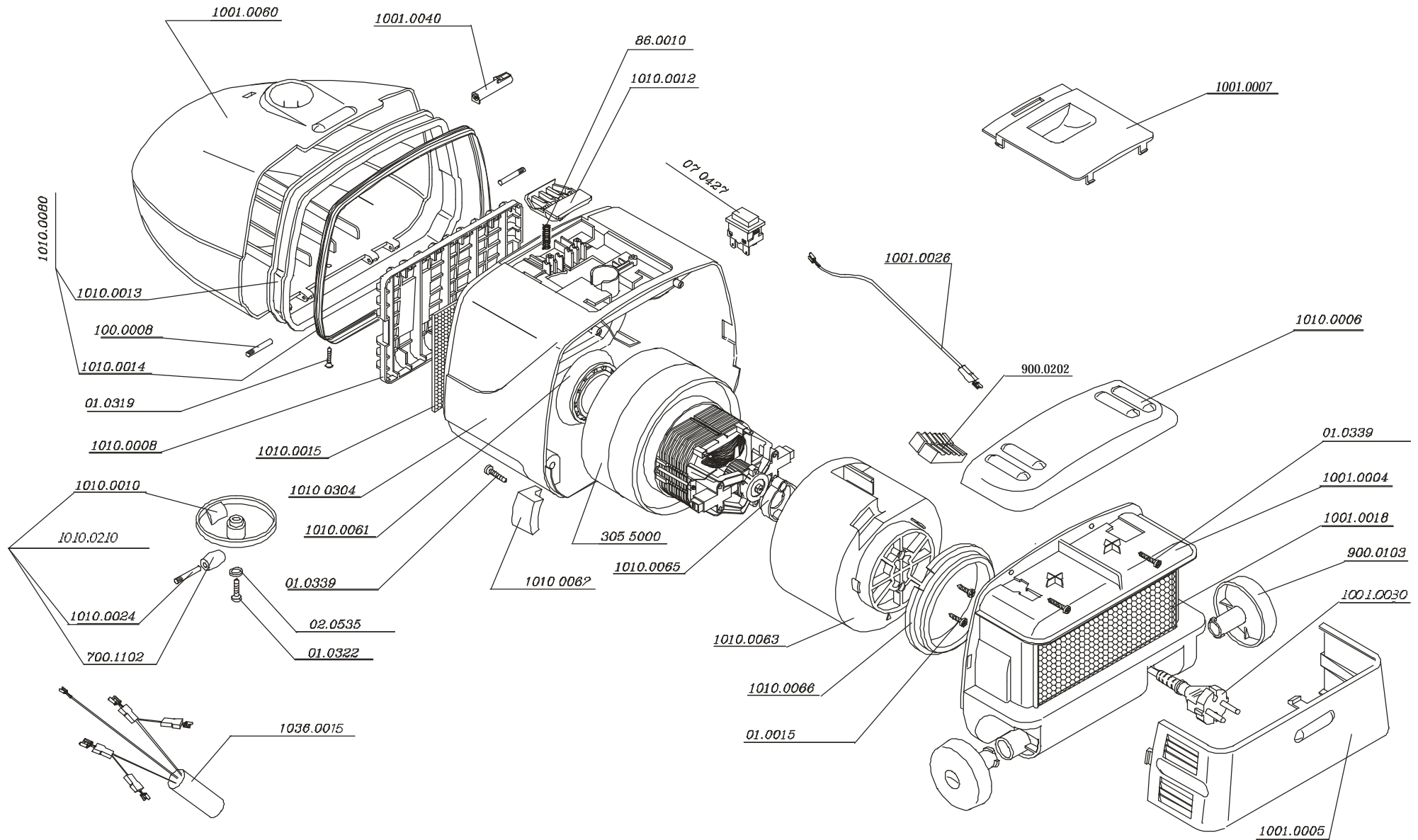
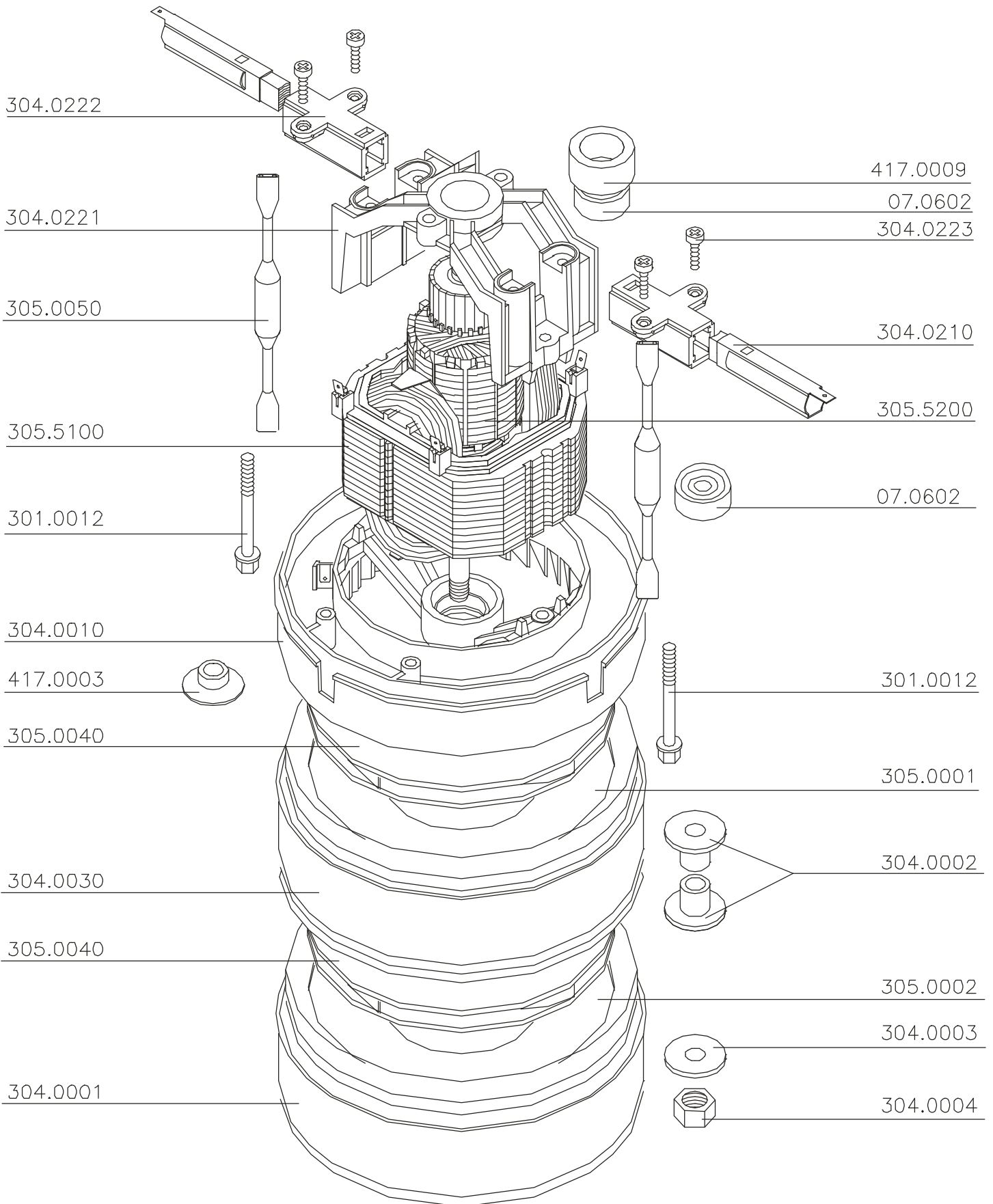


I VACUUM CLEANER

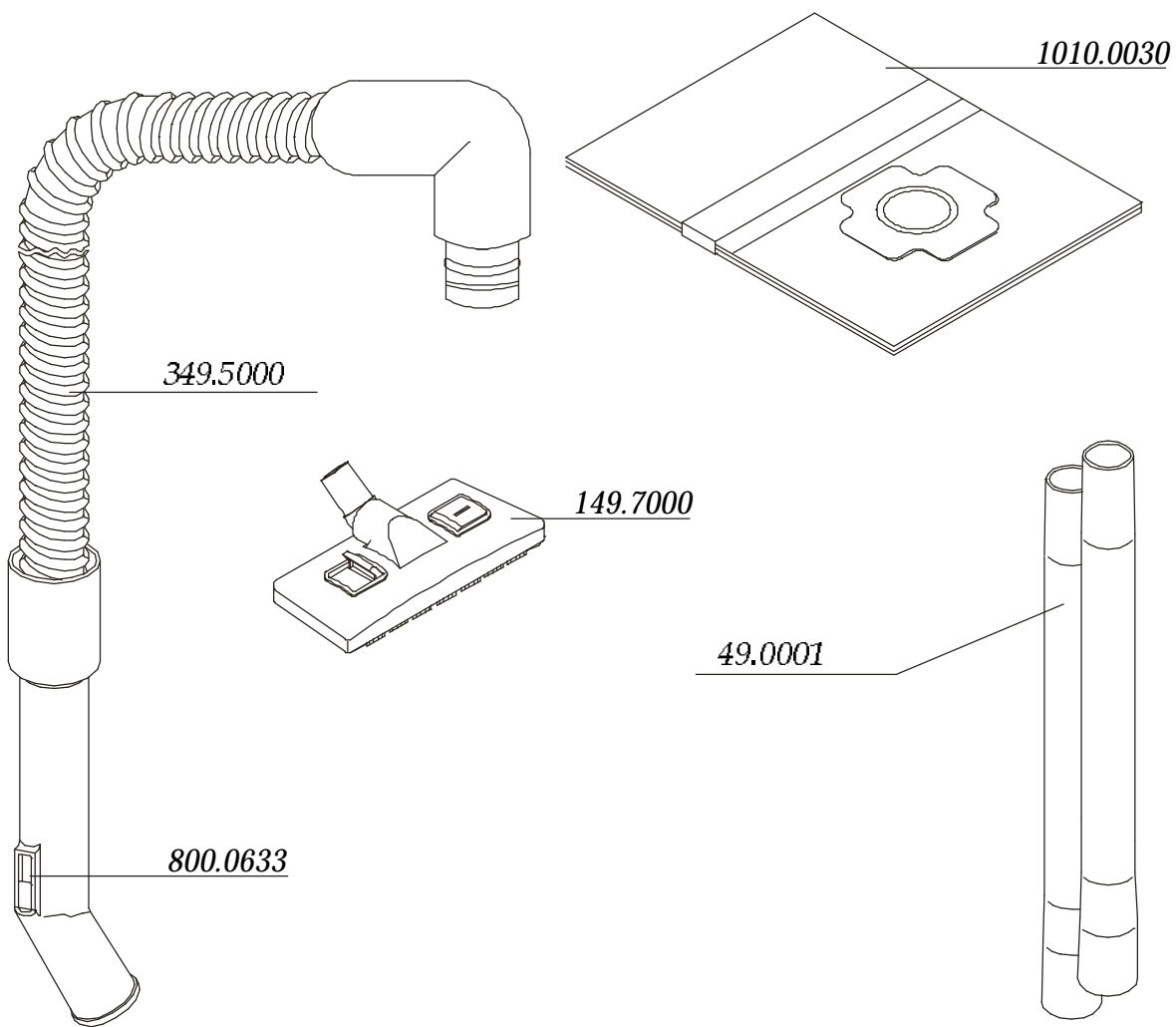
TYPE ZELMER 1010 / ZELMER HUNGARY



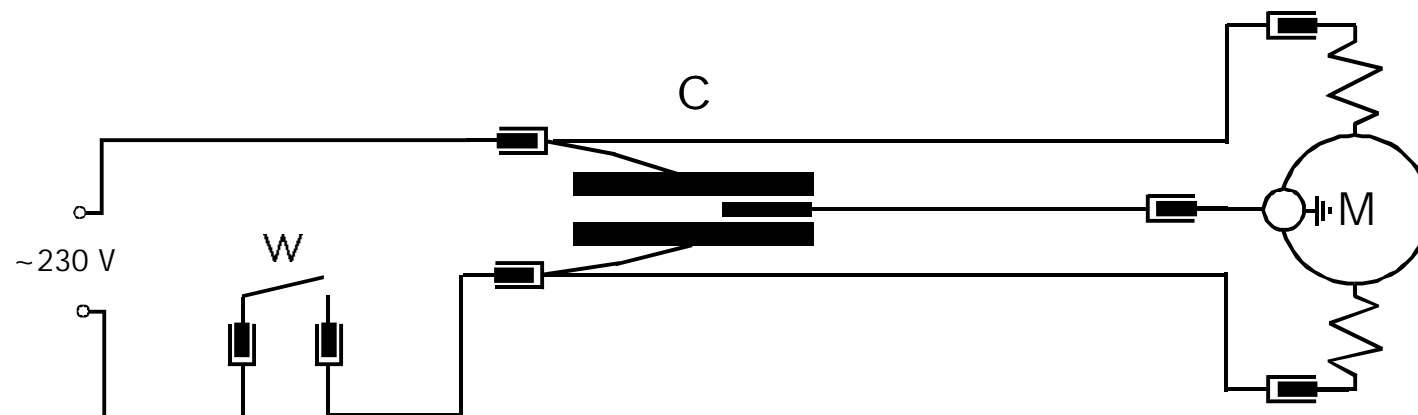
II SUCTION UNIT 305.5000



IV VACUUM CLEANER ACCESSORIES TYPE ZELMER 1010 / ZELMER HUNGARY



V ELECTRICAL DIAGRAM OF THE VACUUM CLEANER TYPE ZELMER 1010 / ZELMER HUNGARY



- M -suction unit
- W -main switch
- C -capacitor