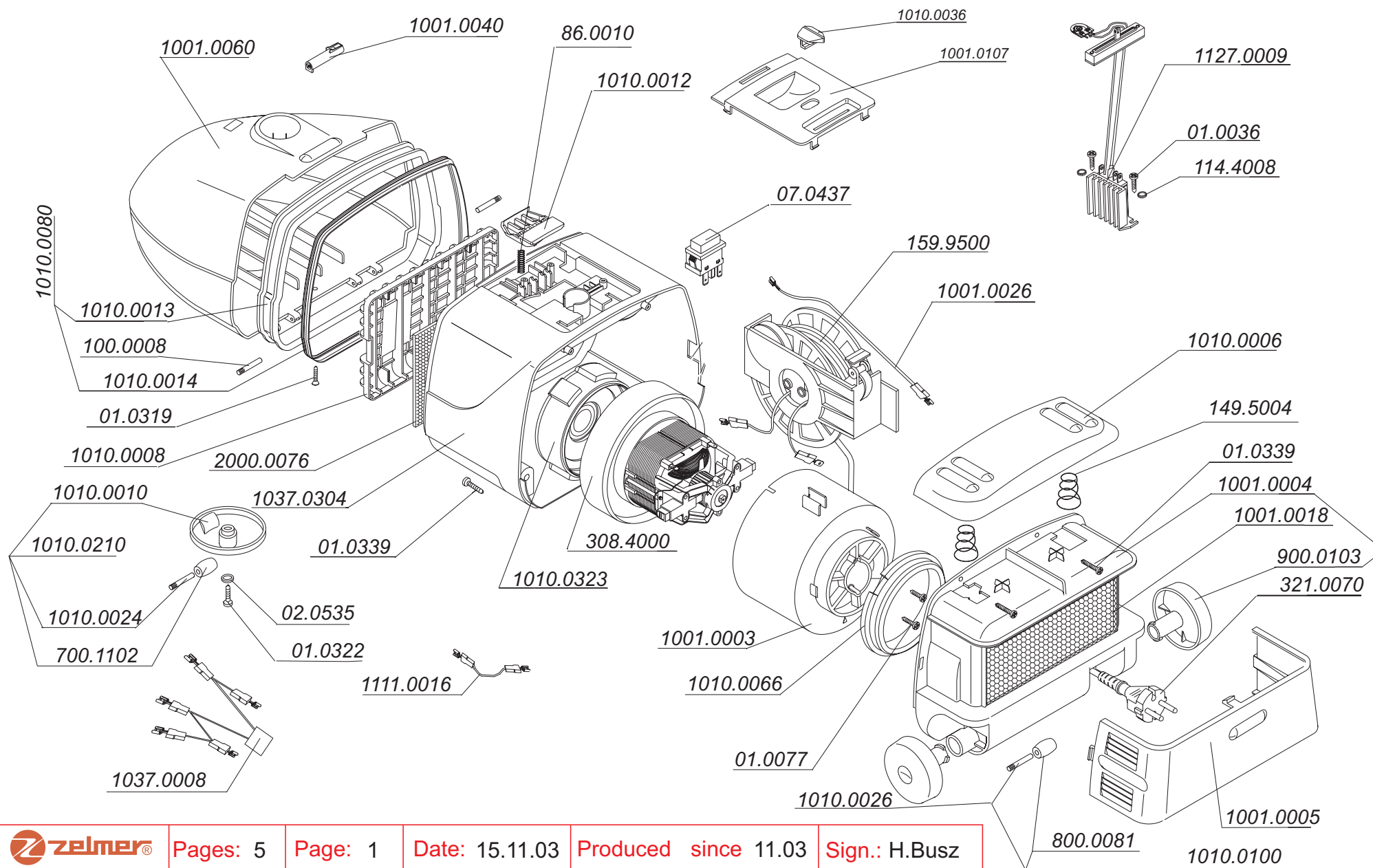
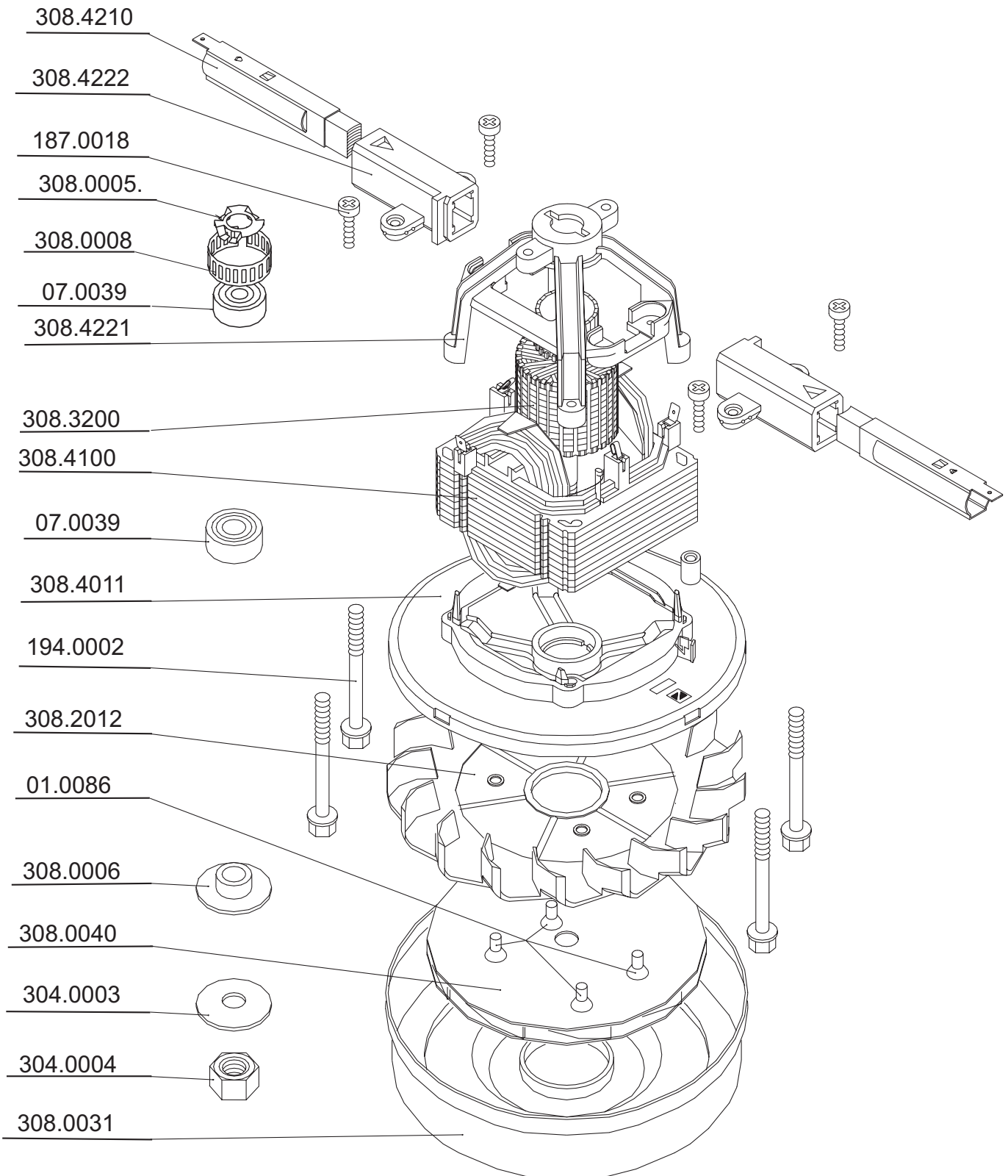


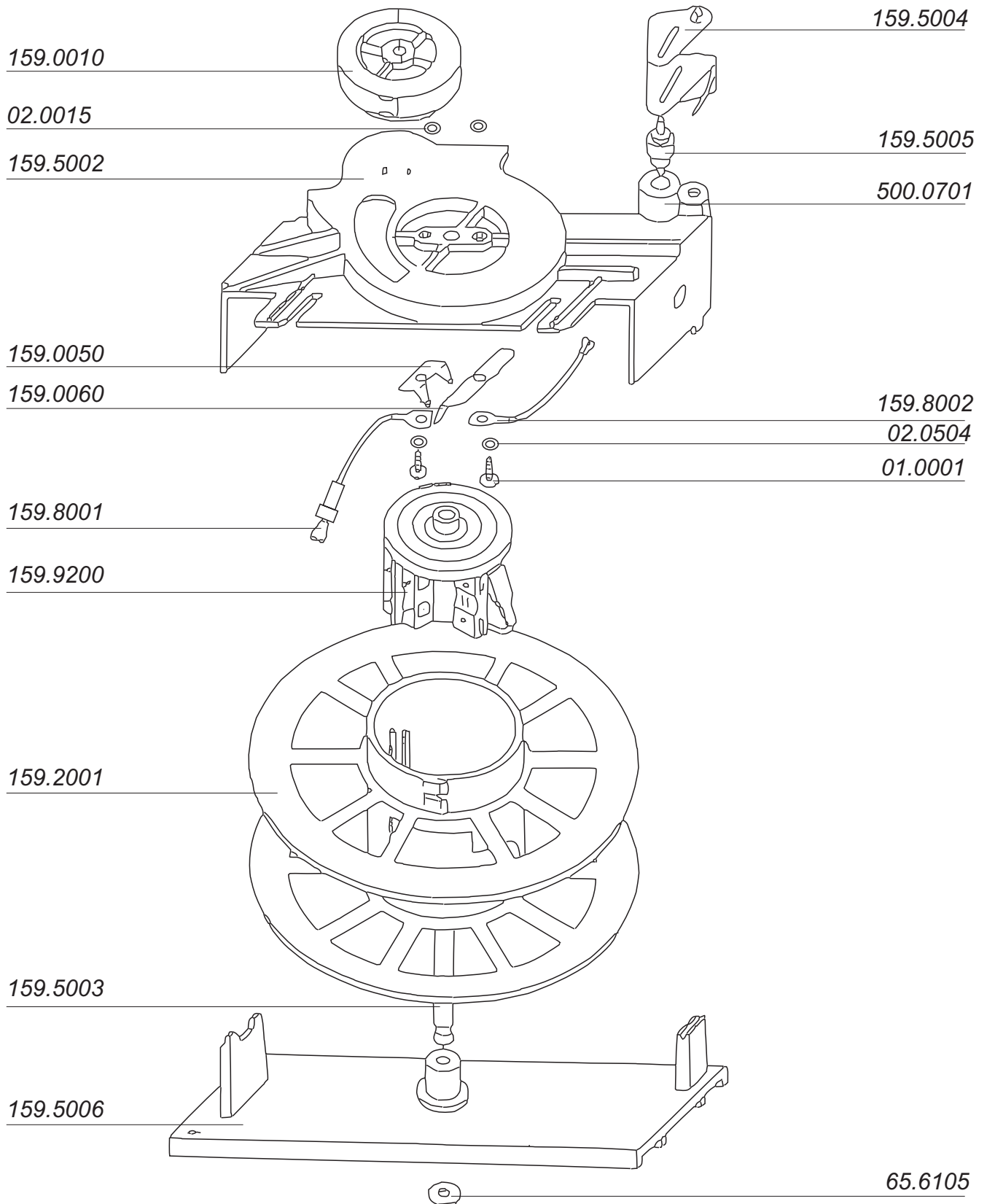
# VACUUM CLEANER ZELMER TYPE 1117.0 M ( DARK BLUE RAL 5022) ZELMER HUNGARY



# || SUCTION UNIT TYPE 308.4000

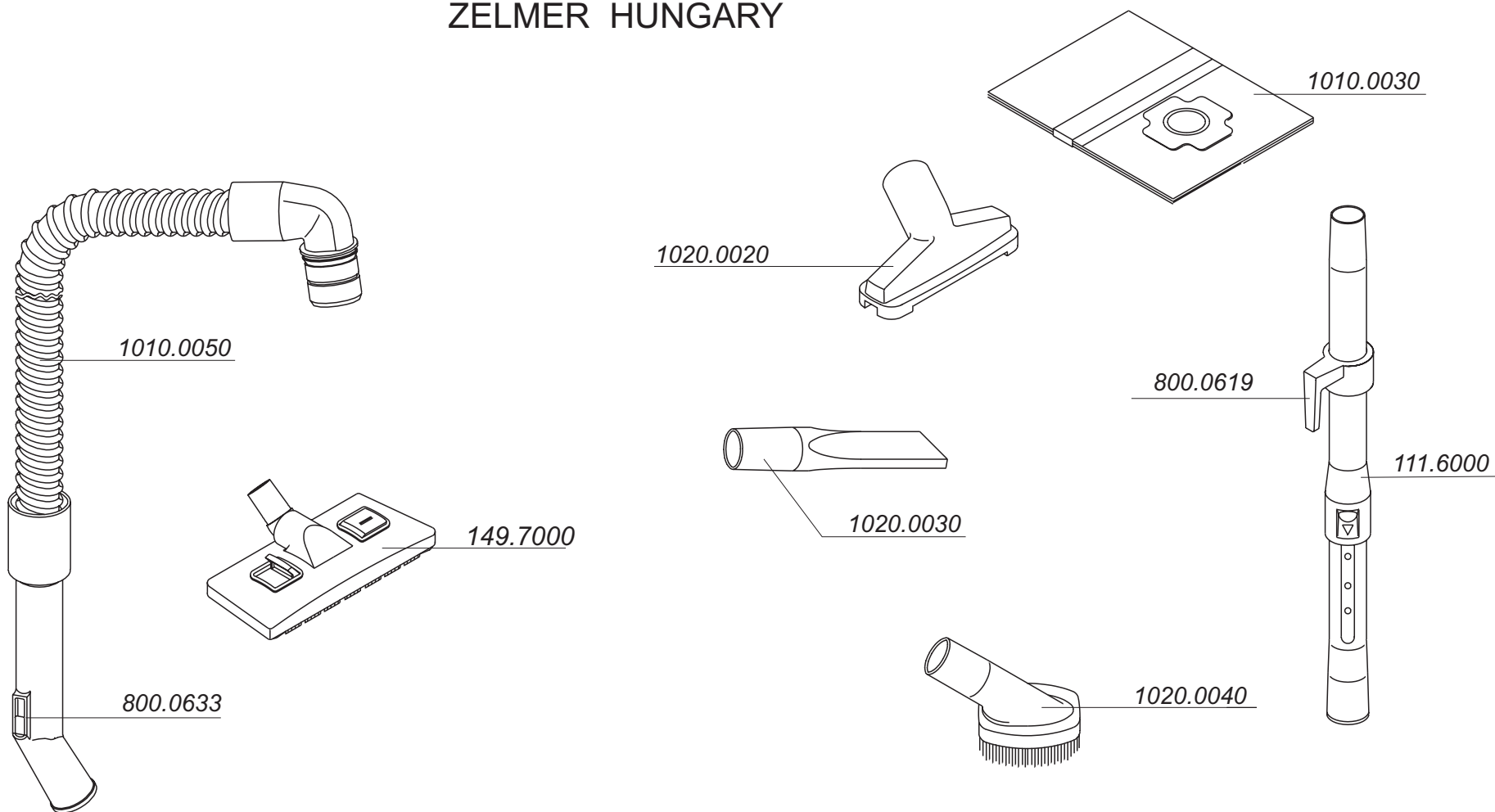


# ||| CORD WINDER 159.9500



# IV VACUUM CLEANER ACCESORIES

## ZELMER TYPE 1117.0 M ( DARK BLUE RAL 5022) ZELMER HUNGARY



Pages: 5

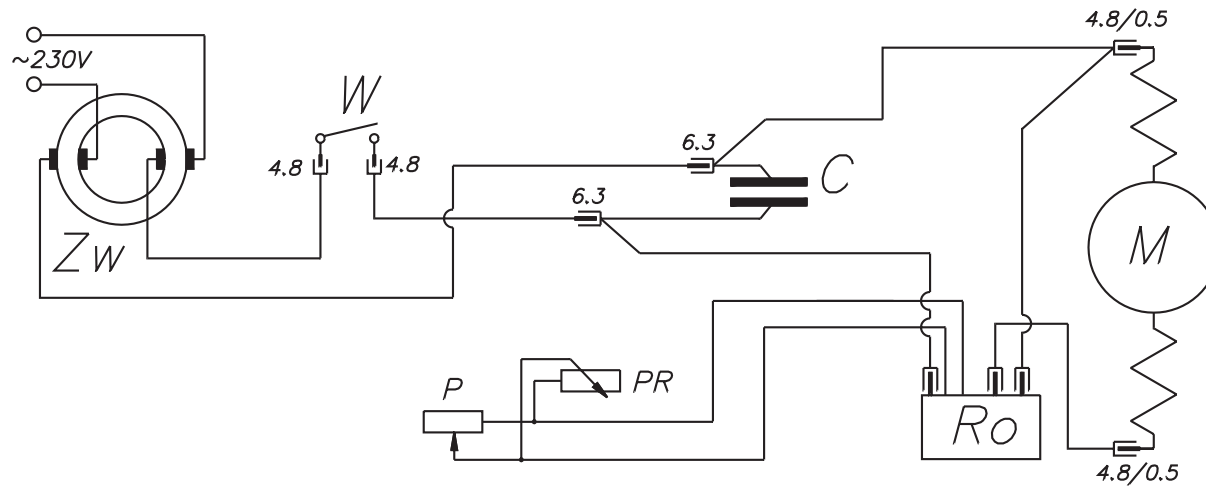
Page: 4

Date: 15.11.03

Produced since 11.03

Sign.: H.Busz

# V ELECTRICAL DIAGRAM OF THE VACUUM CLEANER ZELMER TYPE 1117.0 M ZELMER HUNGARY



- M - suction unit
- Zw - cord winder
- C - capacitor
- W - main switch
- P - potentiometer
- Ro - regulator
- PR - potentiometer regul.