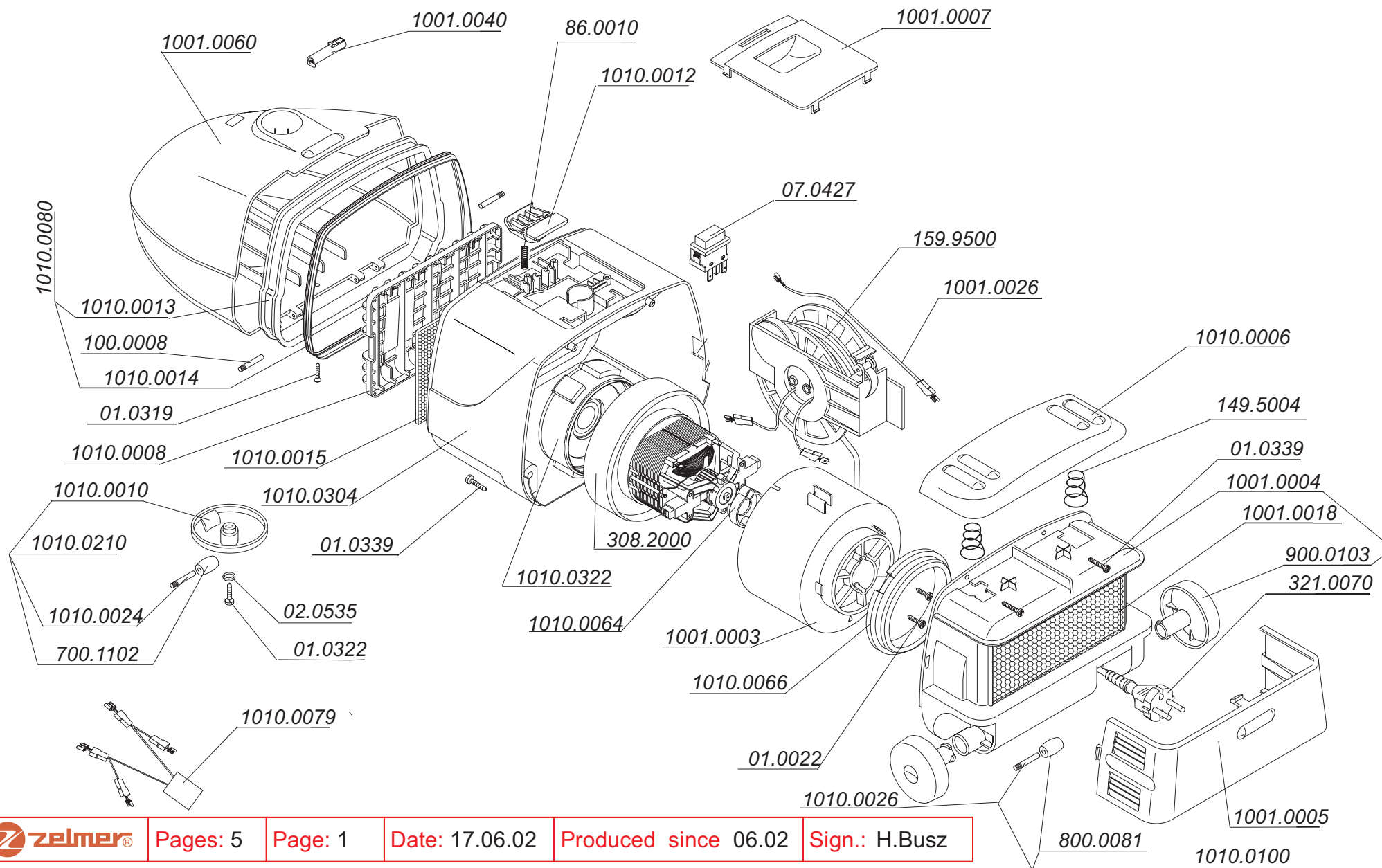
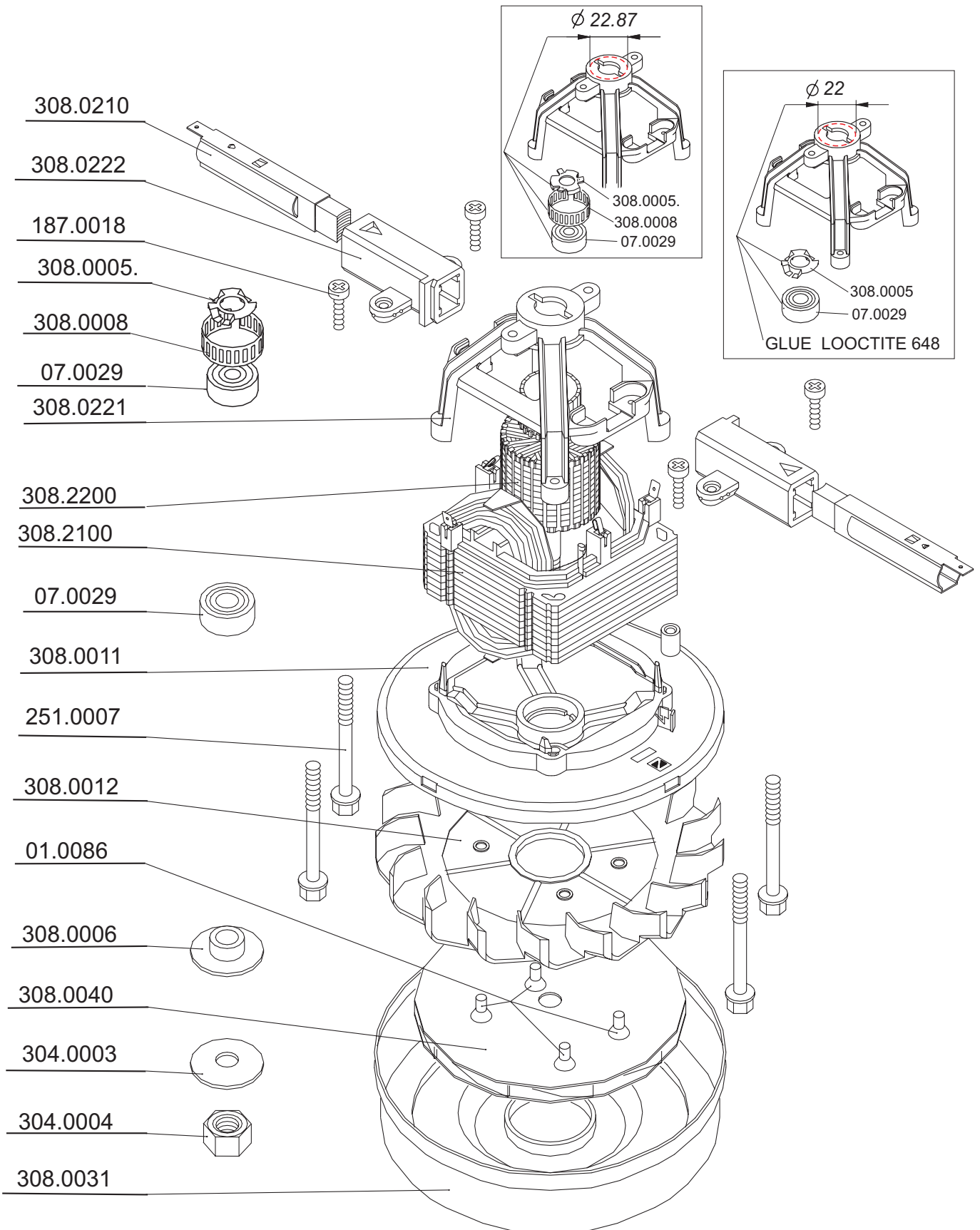


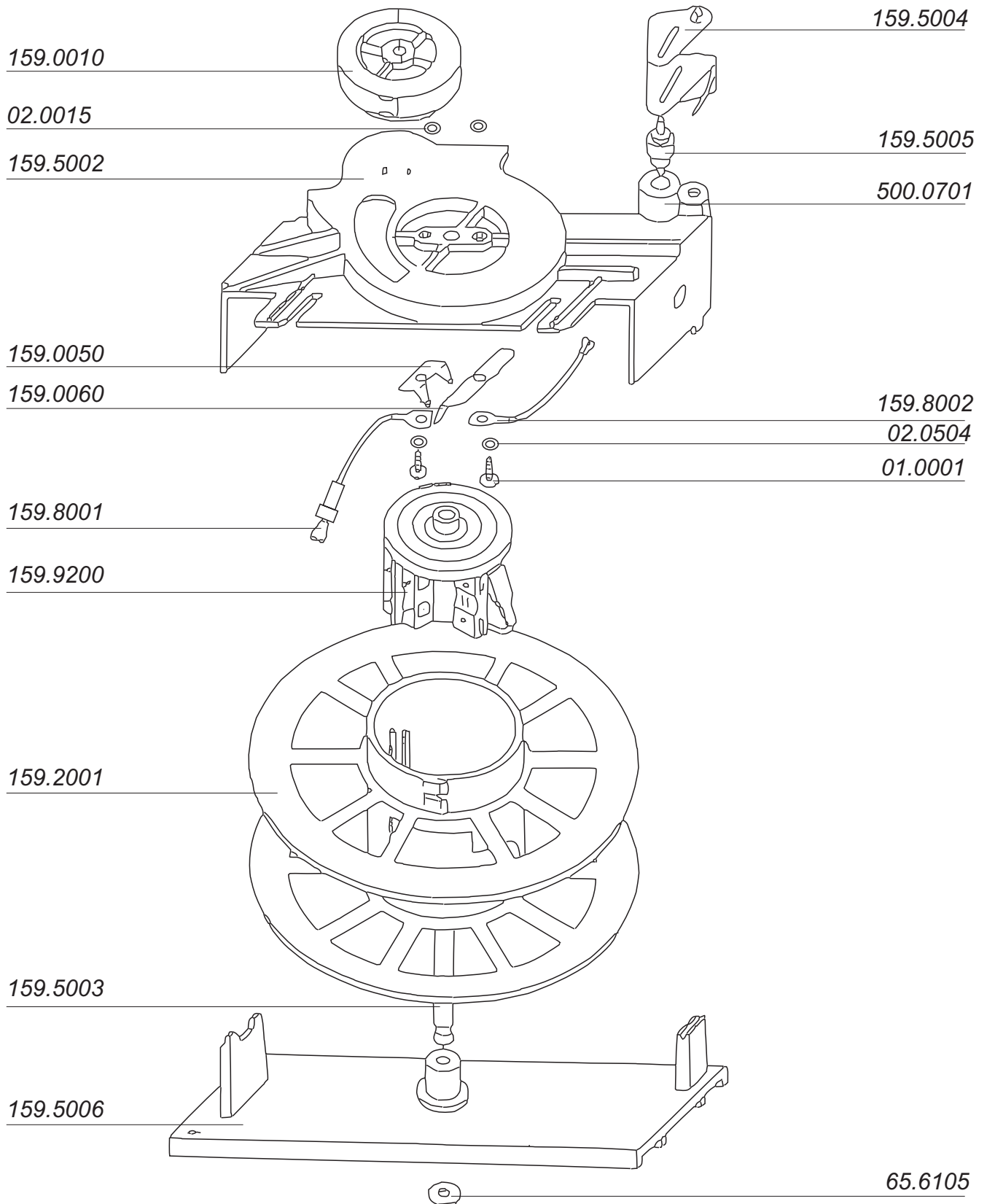
# VACUUM CLEANER ZELMER TYPE 1117.5T (RED "LEGO") ZELMER HUNGARY



# || SUCTION UNIT TYPE 308.2000



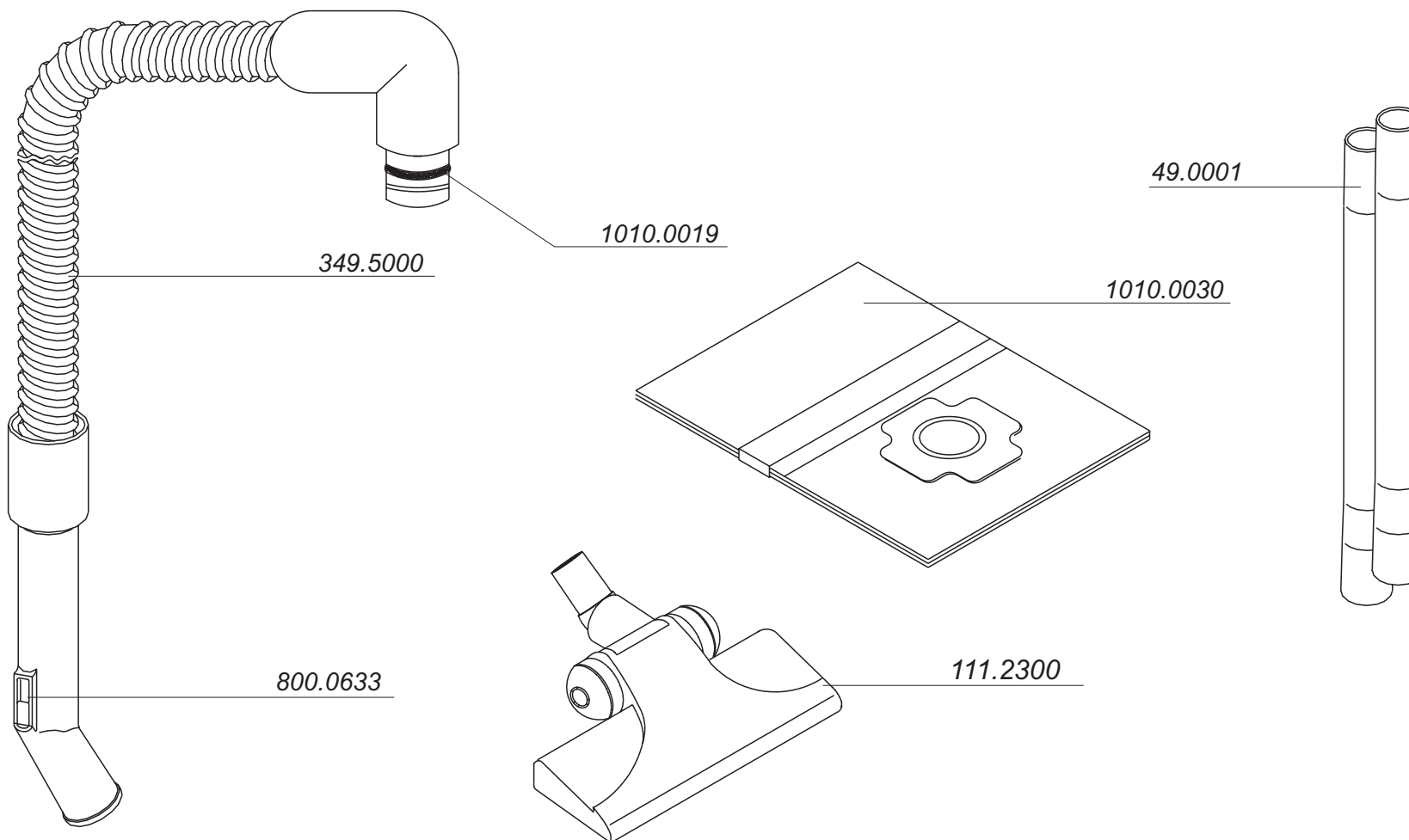
# ||| CORD WINDER 159.9500



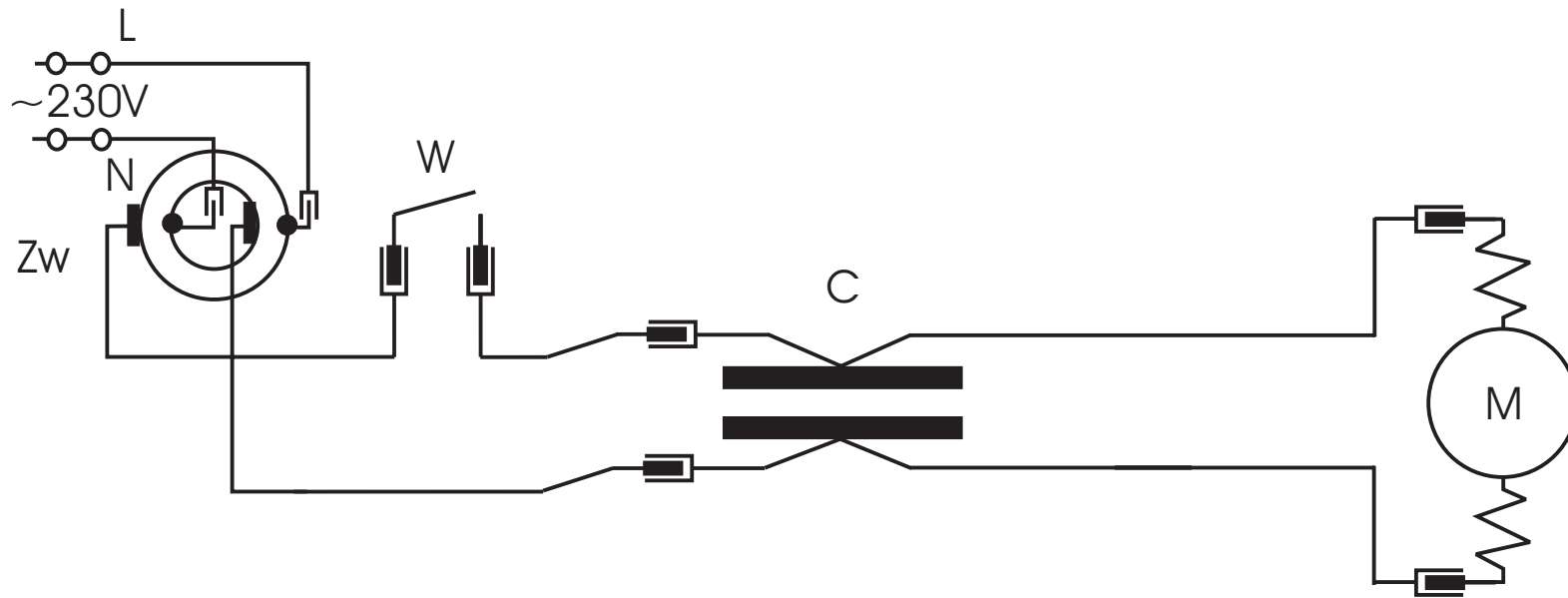
# IV VACUUM CLEANER ACCESOORIES

## ZELMER TYPE 1117.5T (RED "LEGO")

### ZELMER HUNGARY



**V** ELECTRICAL DIAGRAM OF THE VACUUM CLEANER  
ZELMER TYPE 1117.5T  
ZELMER HUNGARY



M - suction unit  
Zw - cord winder  
C - capacitor  
W - main switch