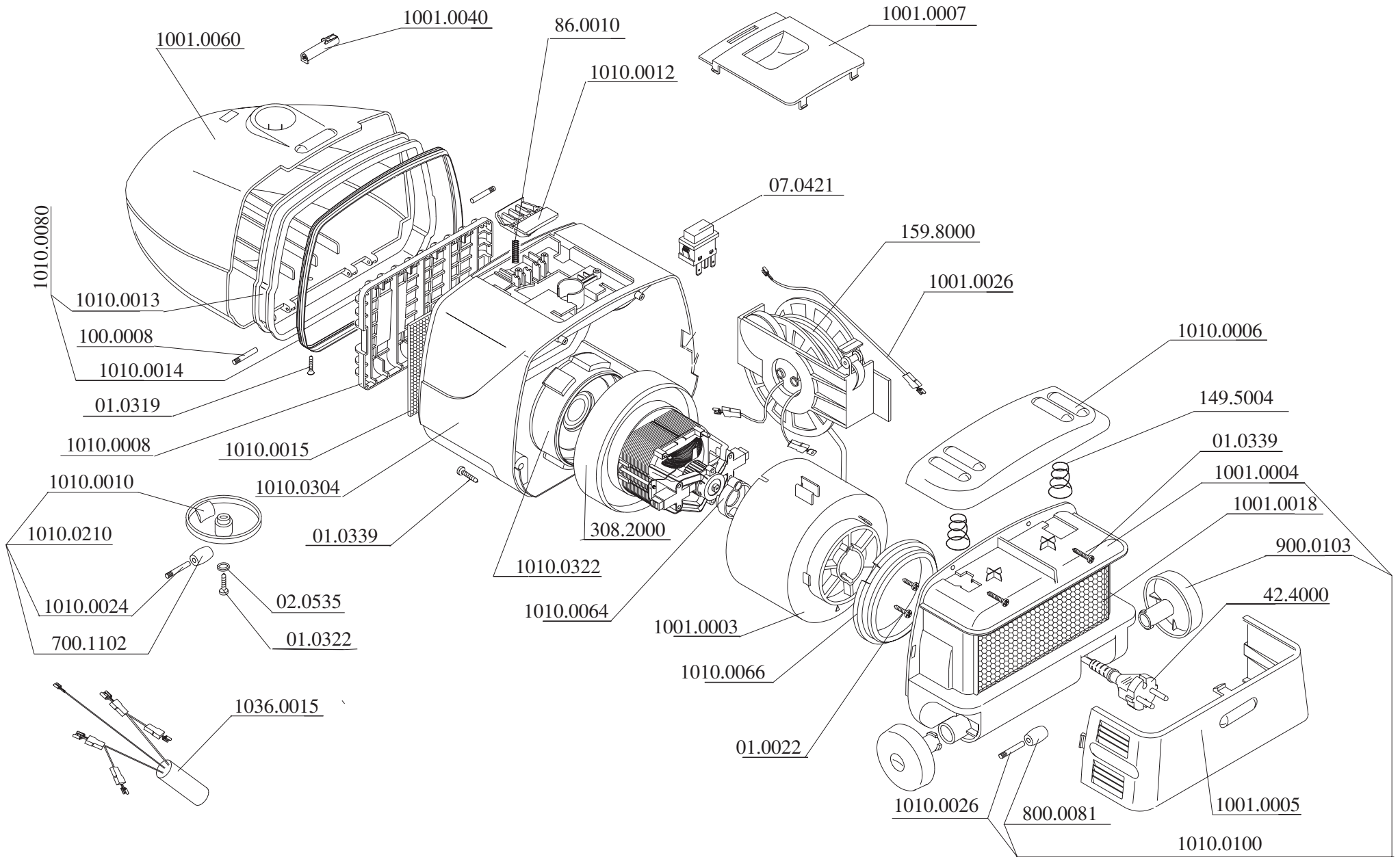
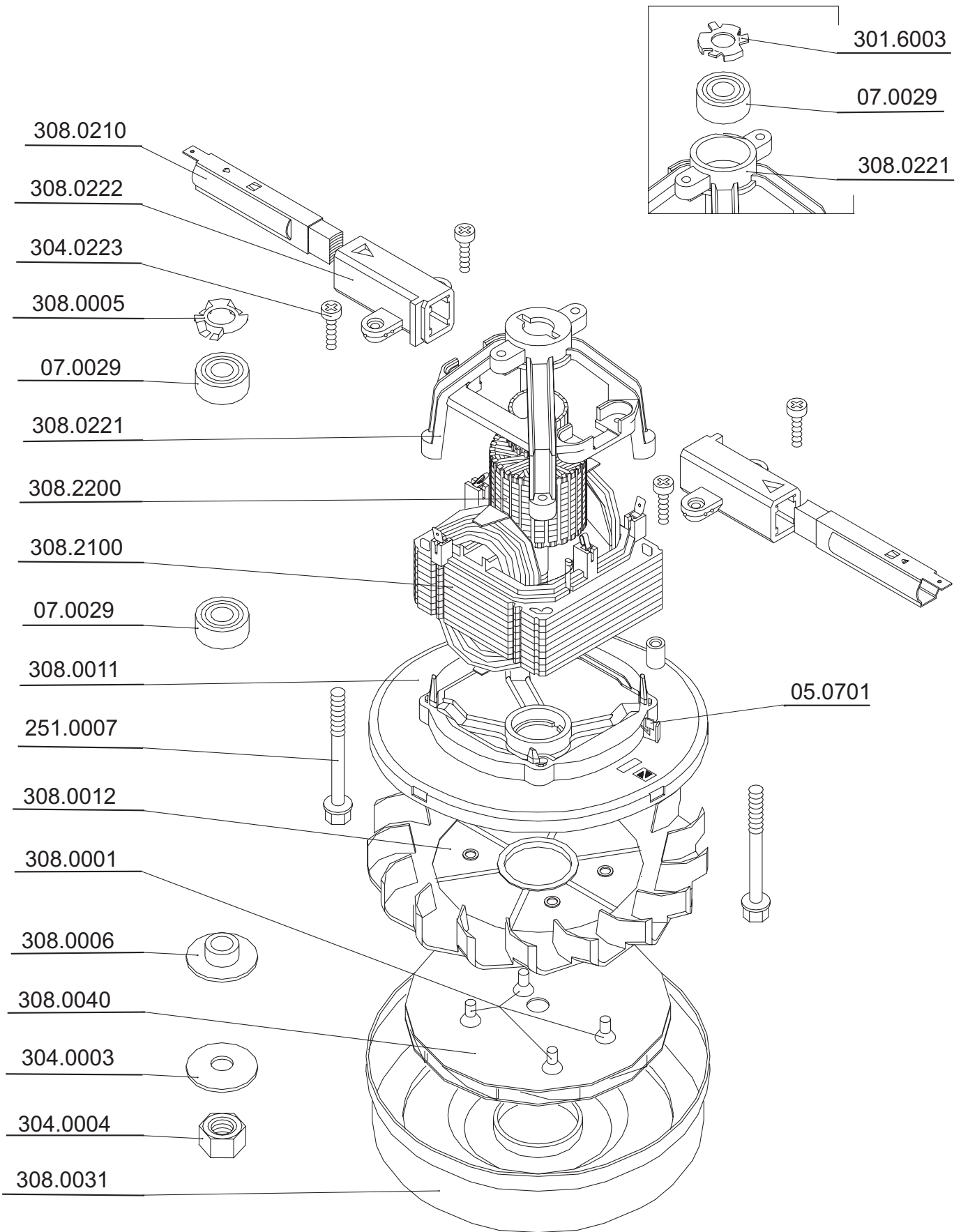


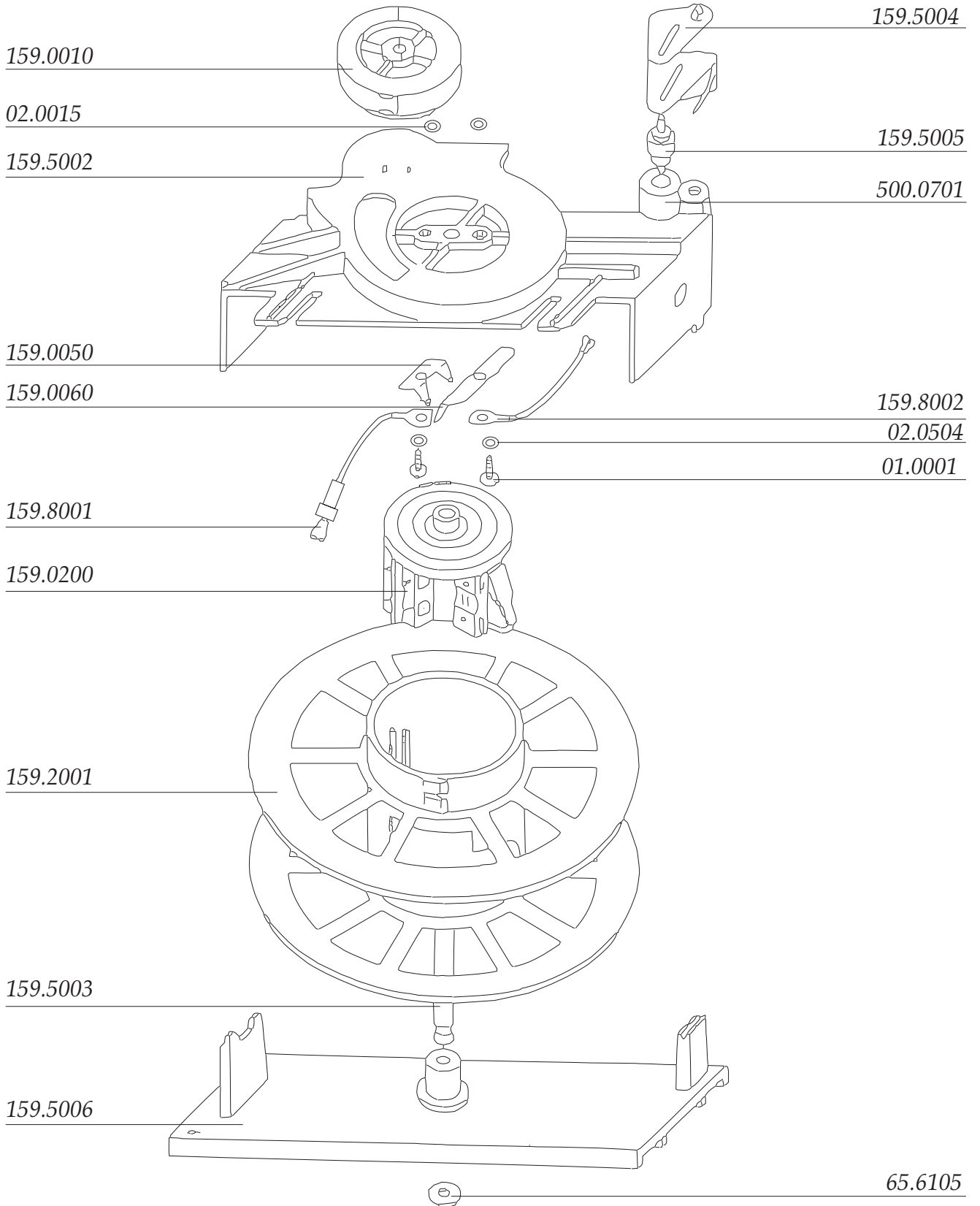
I VACUUM CLEANER ZELMER TYPE 1117.5E (GREEN RAL 6016 / RED RAL 3010) ZELMER HUNGARY



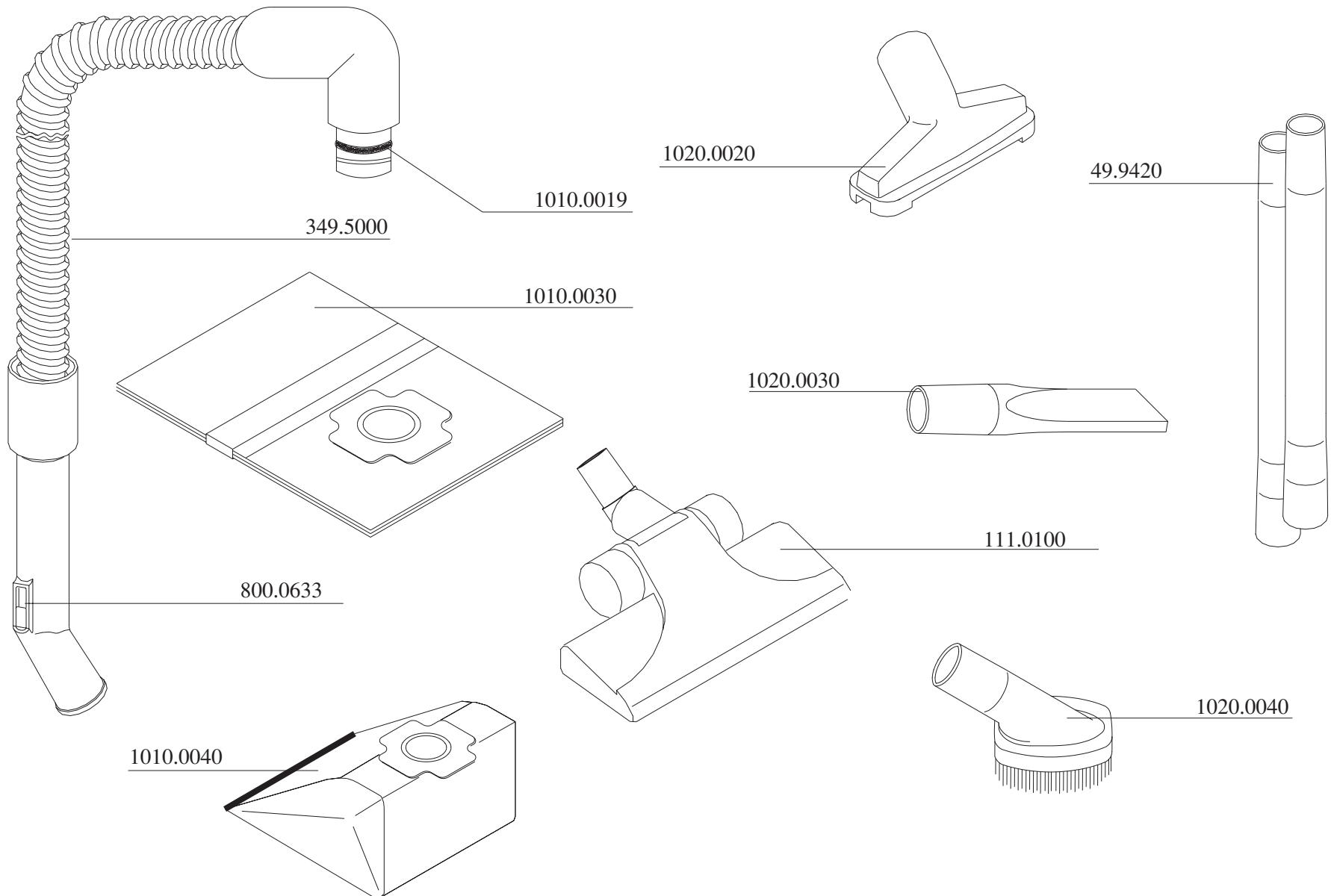
II SUCTION UNIT TYPE 308.2000



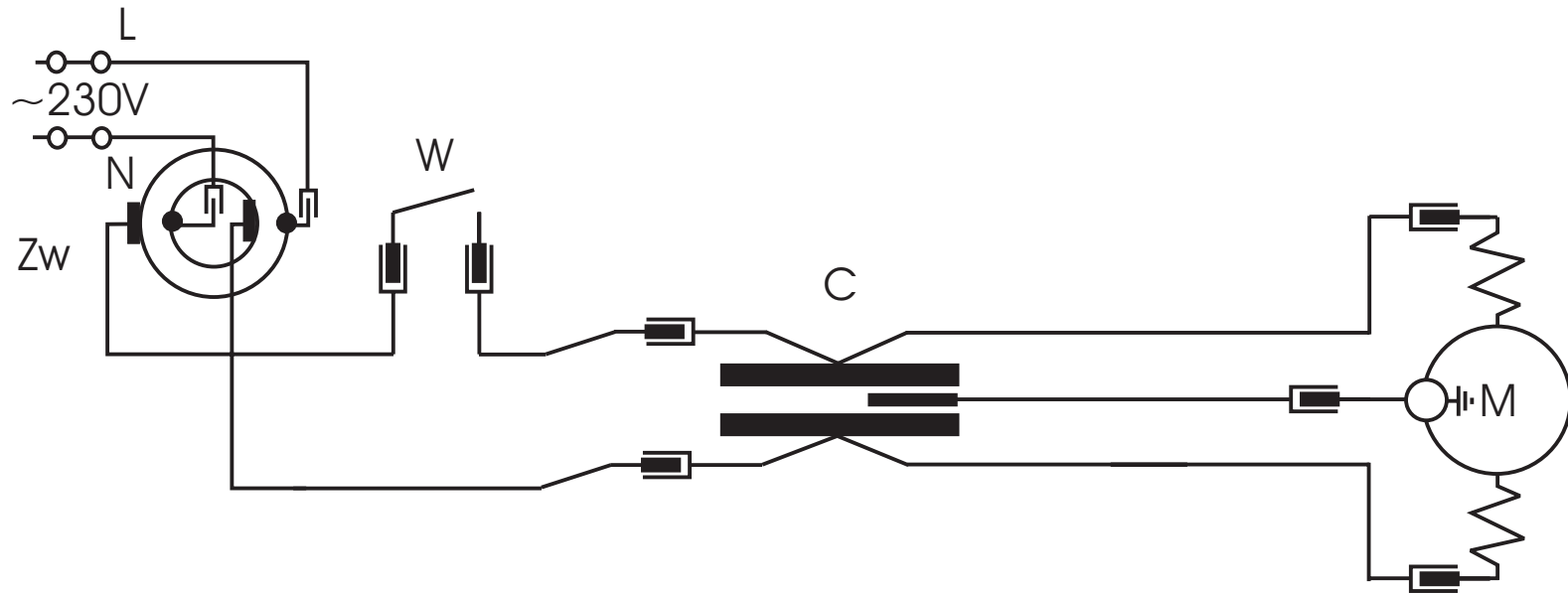
III CORD WINDER 159.8000



IV VACUUM CLEANER ACCESSORIES
ZELMER TYPE 1117.5E (GREEN RAL 6016 / RED RAL 3010)
ZELMER HUNGARY



**V ELECTRICAL DIAGRAM OF THE VACUUM CLEANER
ZELMER TYPE 1117.5E
ZELMER HUNGARY**



- M -suction unit
- Zw -cord winder
- C -capacitor
- W -main switch