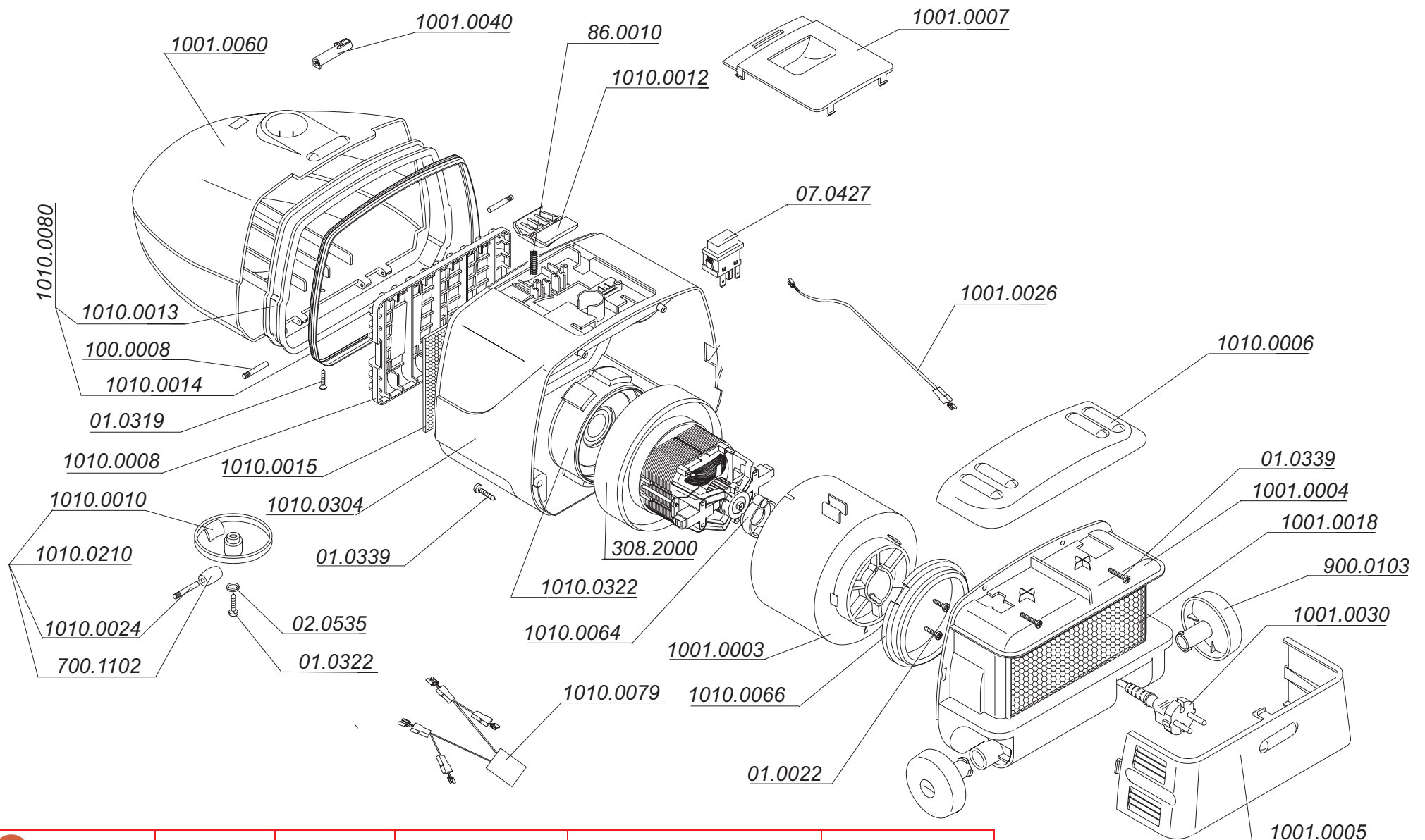
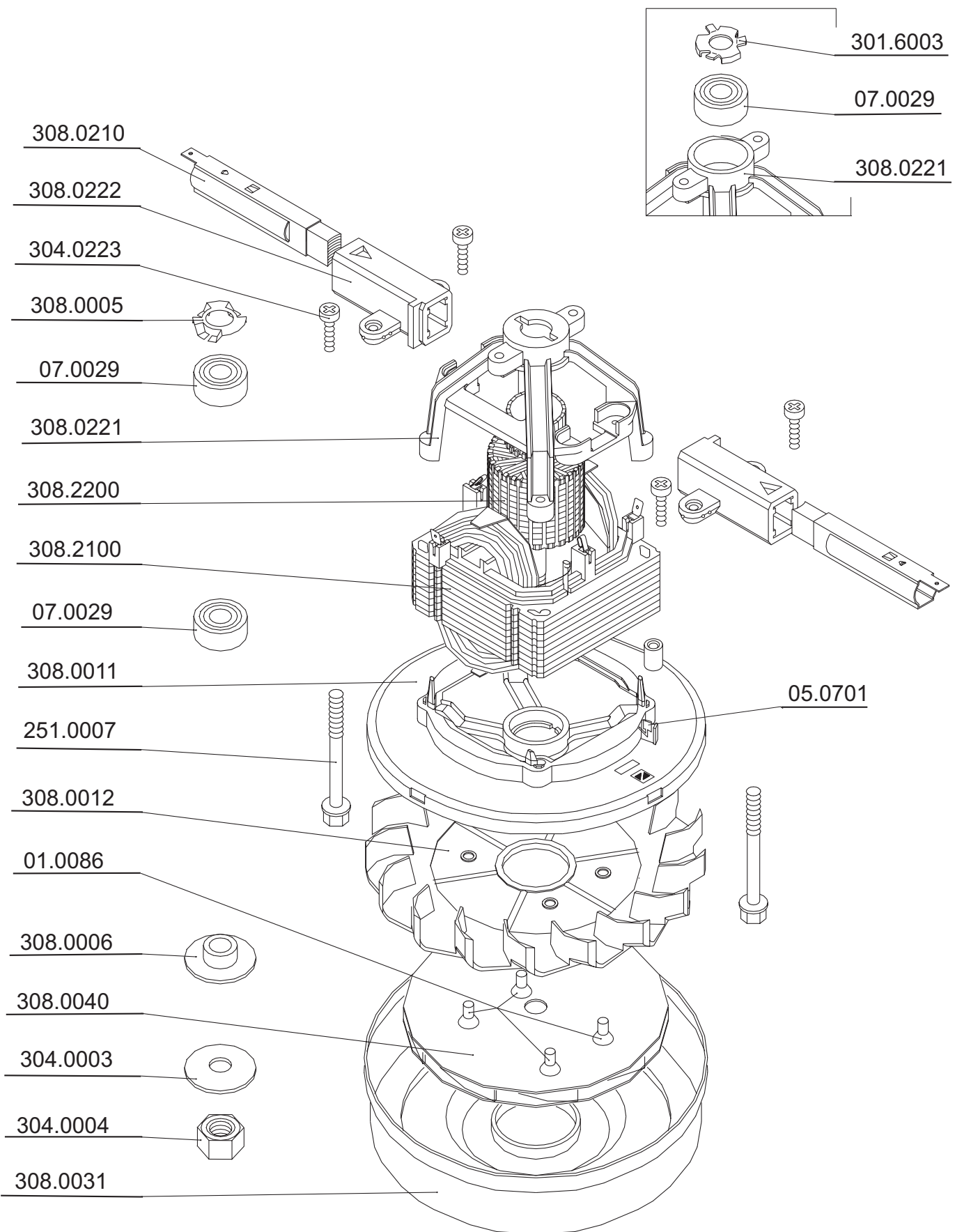


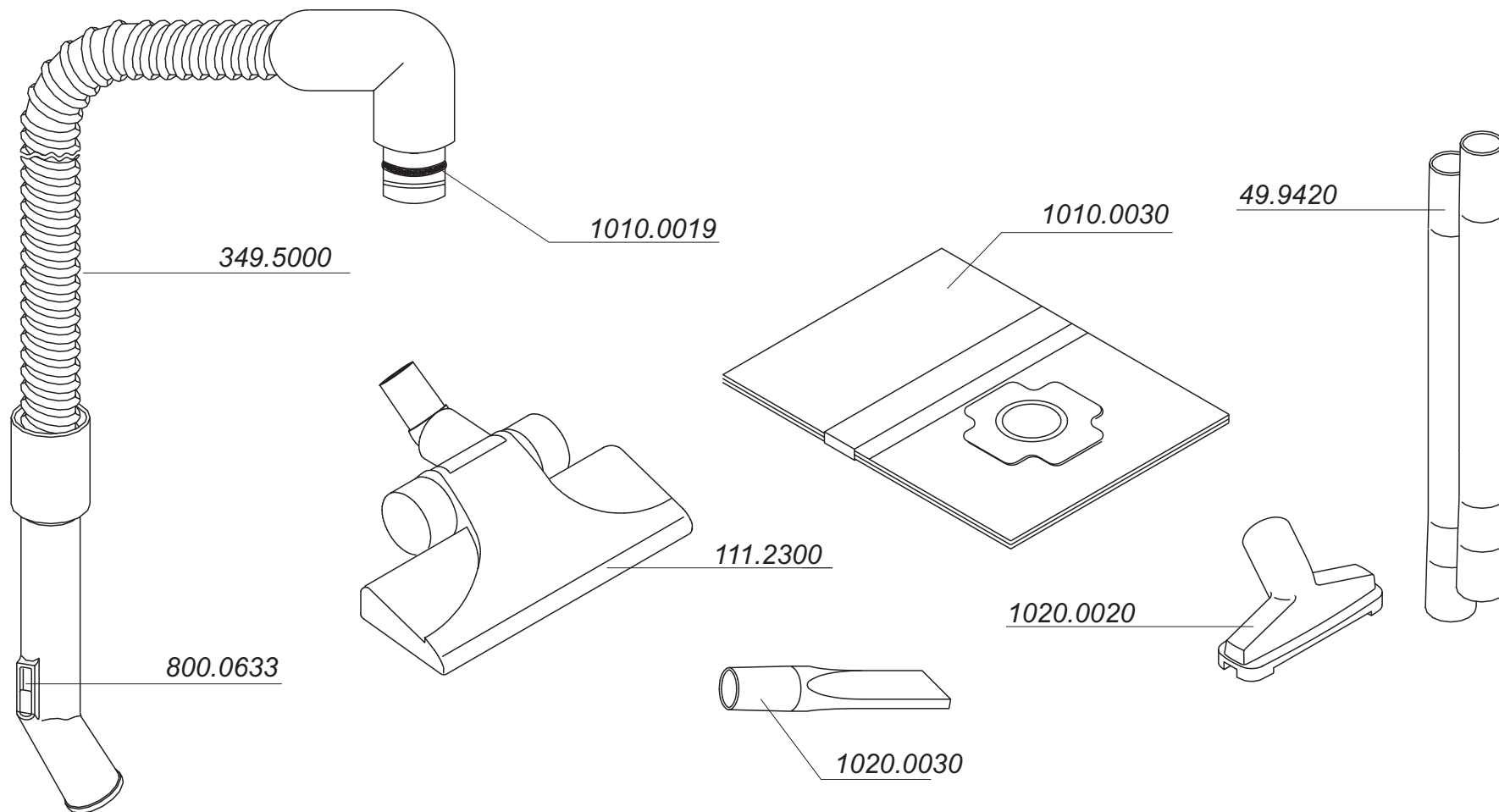
I VACUUM CLEANER ZELMER TYPE 1117 K2 (DARK BLUE RAL 5022) ZELMER HUNGARY



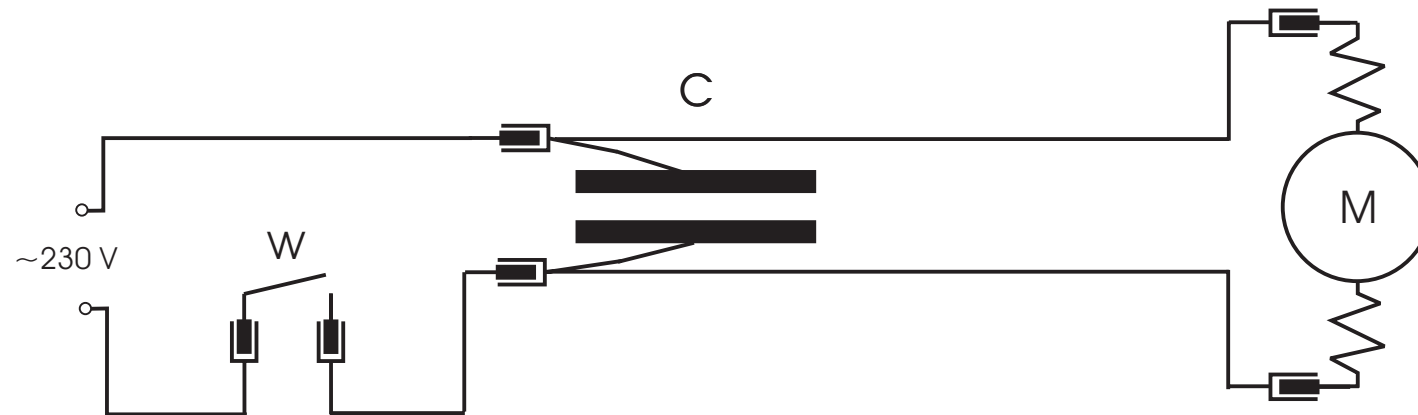
II SUCTION UNIT TYPE 308.2000



IV VACUUM CLEANER ACCESSORIES
ZELMER TYPE 1117 K2
(DARK BLUE RAL 5022)
ZELMER HUNGARY



V ELECTRICAL DIAGRAM OF THE VACUUM CLEANER
ZELMER TYPE 1117 K2
ZELMER HUNGARY



- M -suction unit
- W -main switch
- C -capacitor