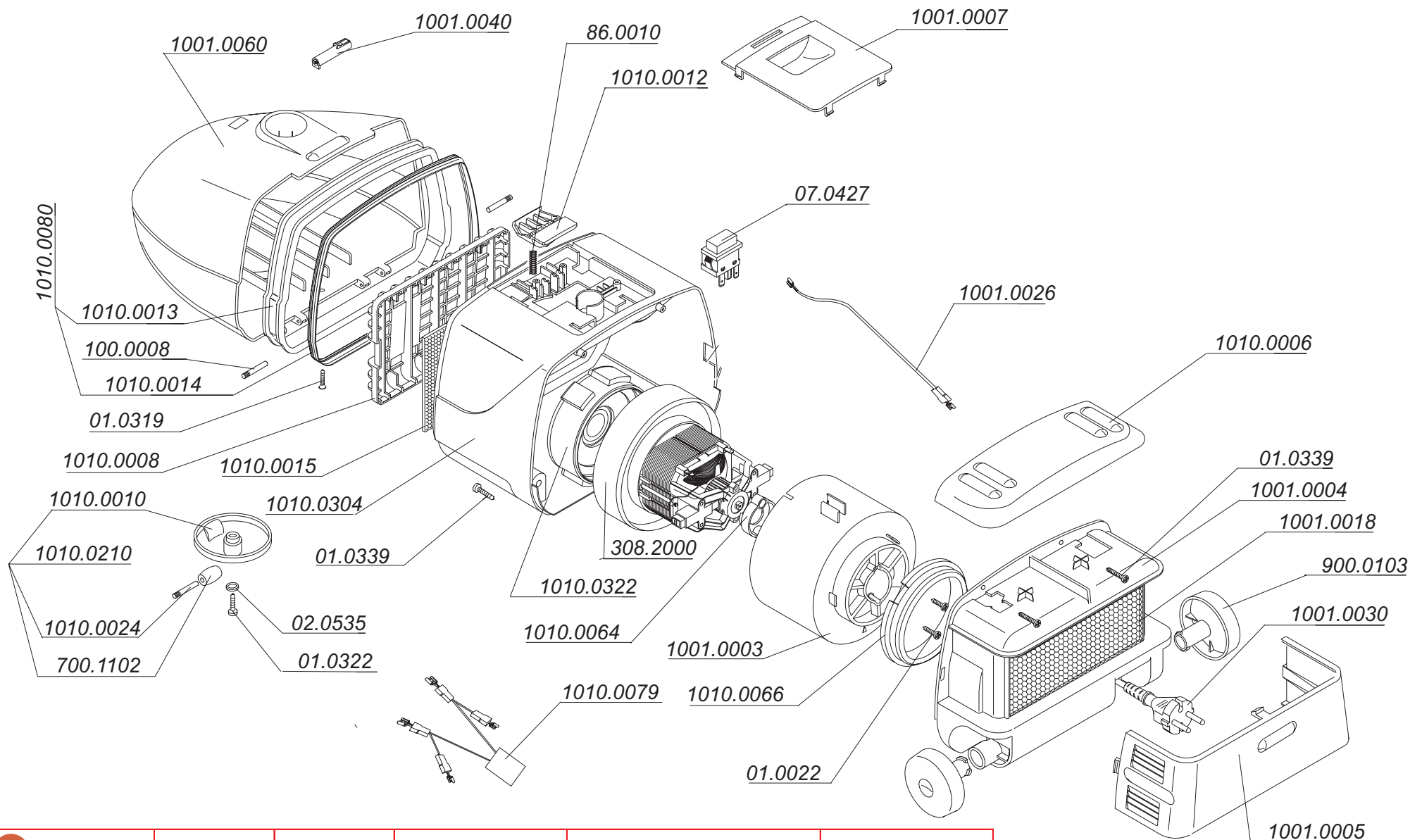
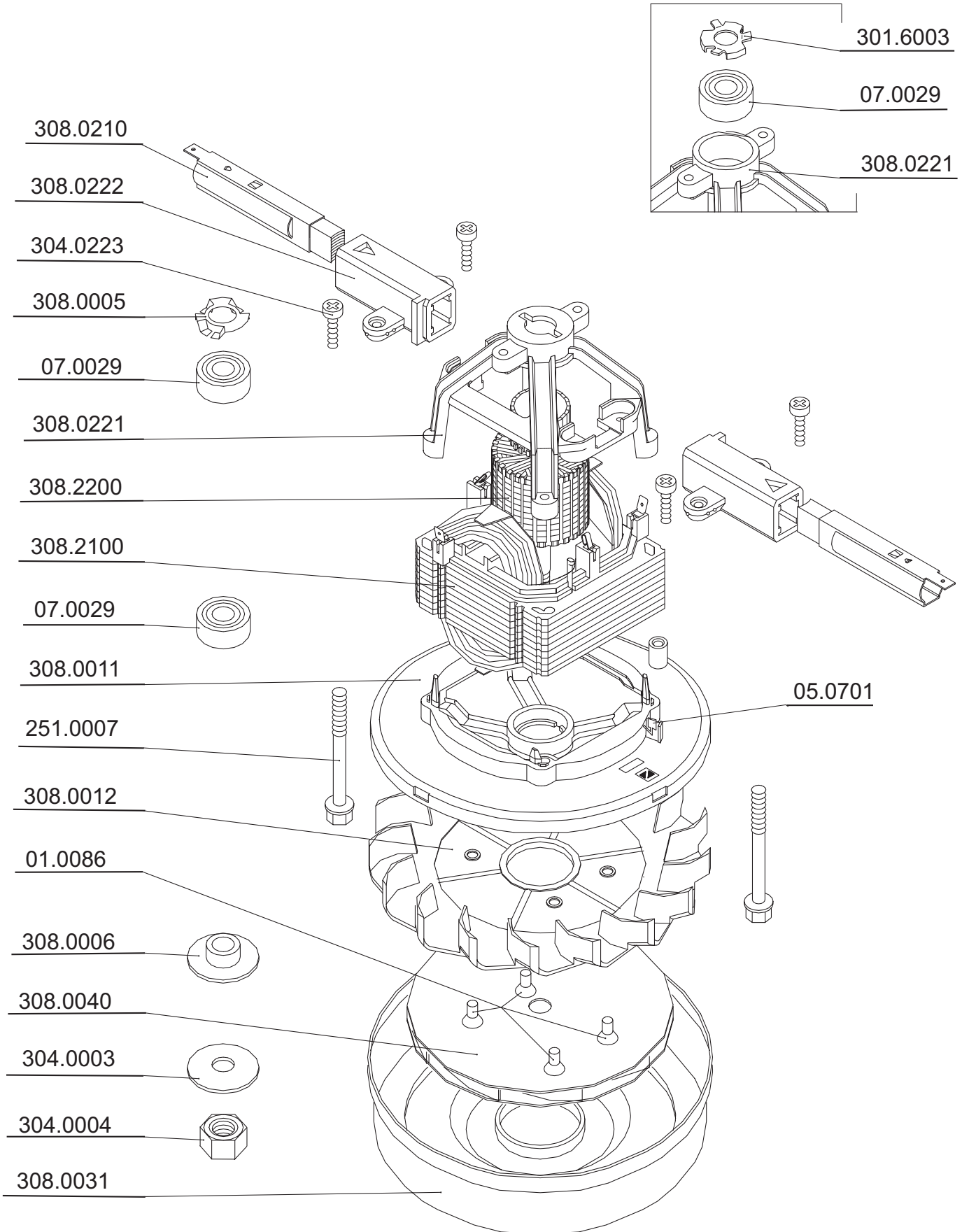


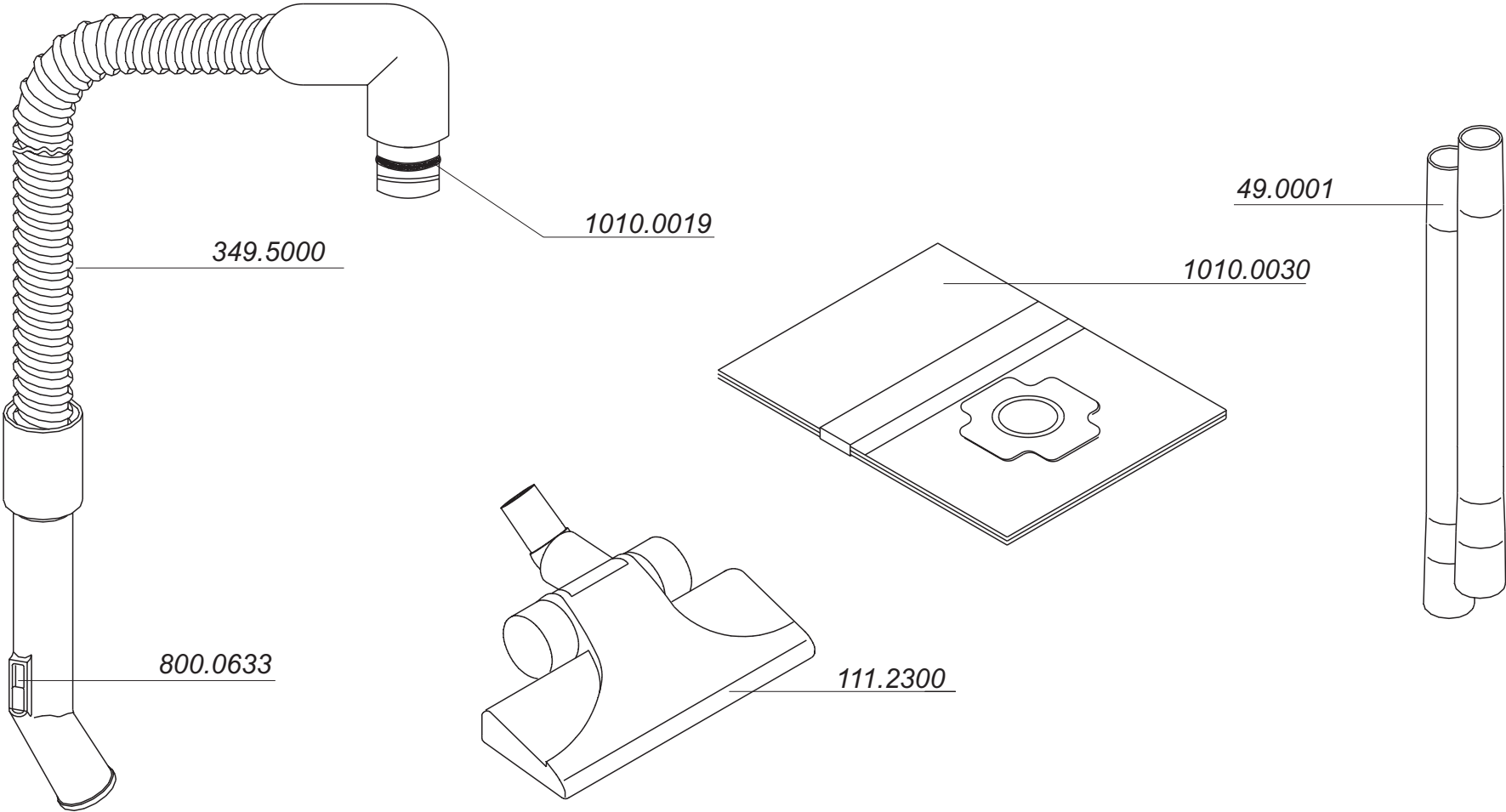
# I VACUUM CLEANER ZELMER TYPE 1117 T (RED RAL 3010) ZELMER HUNGARY



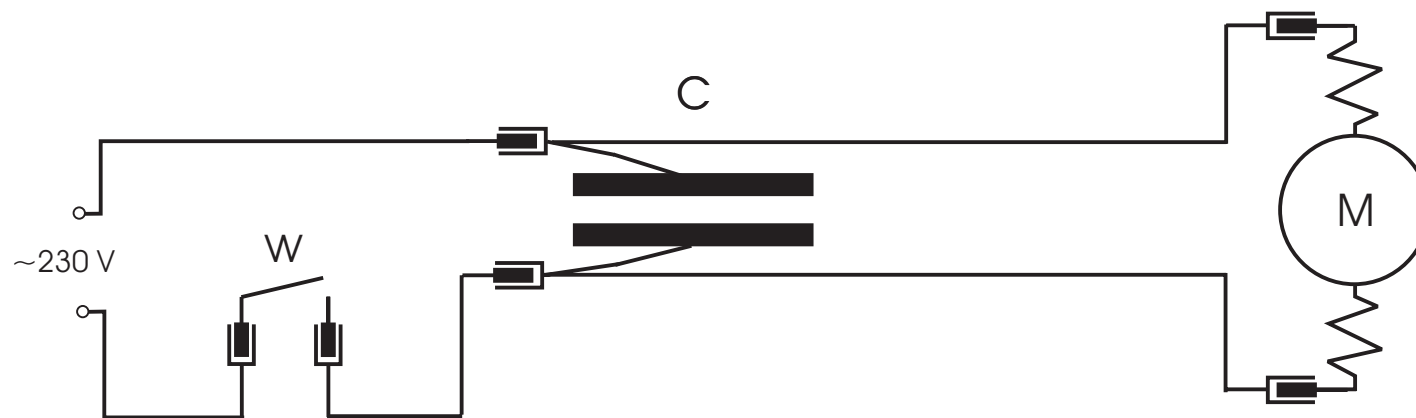
## II SUCTION UNIT TYPE 308.2000



**IV VACUUM CLEANER ACCESSORIES**  
**ZELMER TYPE 1117 T**  
**(RED RAL 3010)**  
**ZELMER HUNGARY**



V ELECTRICAL DIAGRAM OF THE VACUUM CLEANER  
ZELMER TYPE 1117 T  
ZELMER HUNGARY



M -suction unit  
W -main switch  
C -capacitor