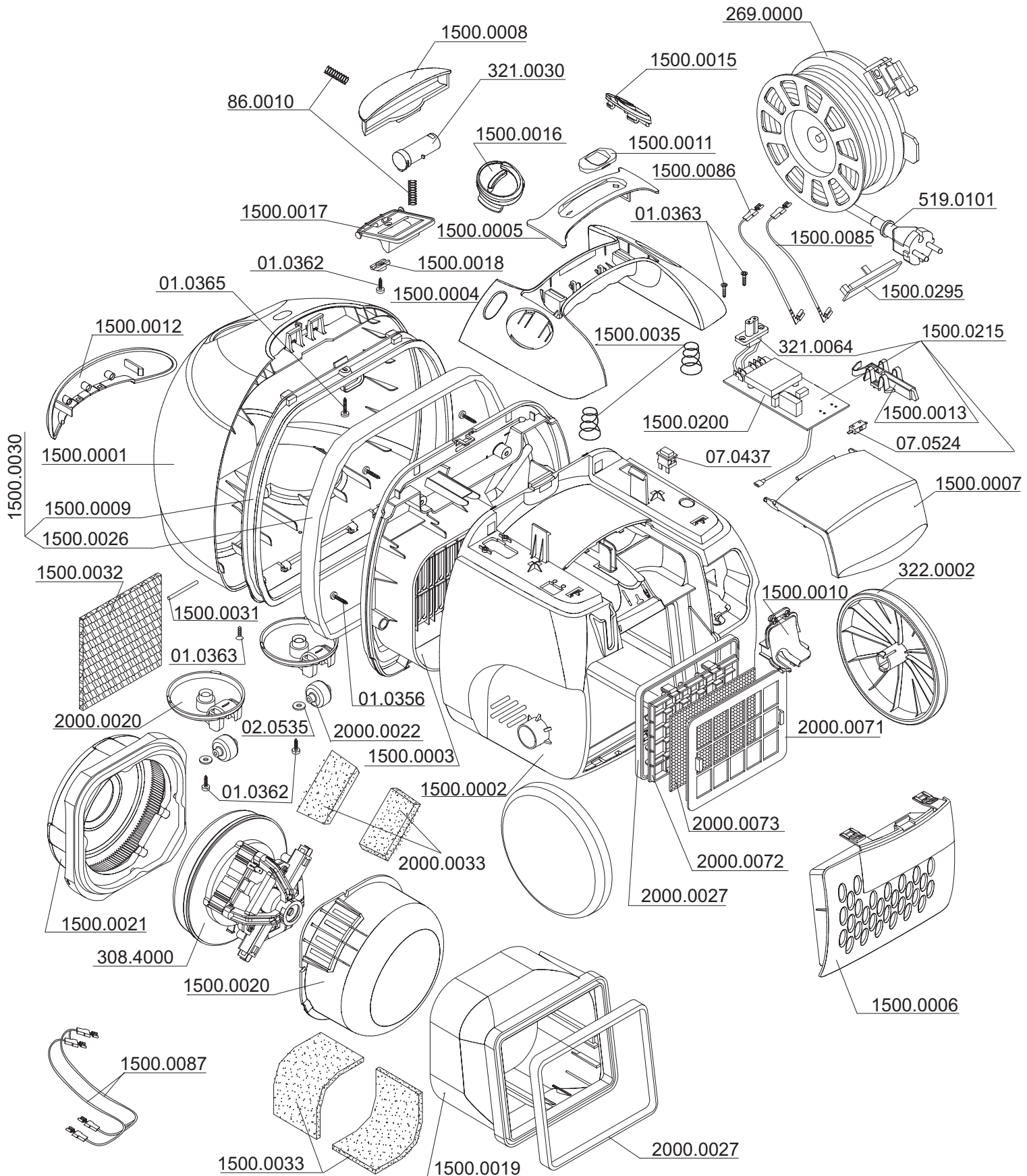
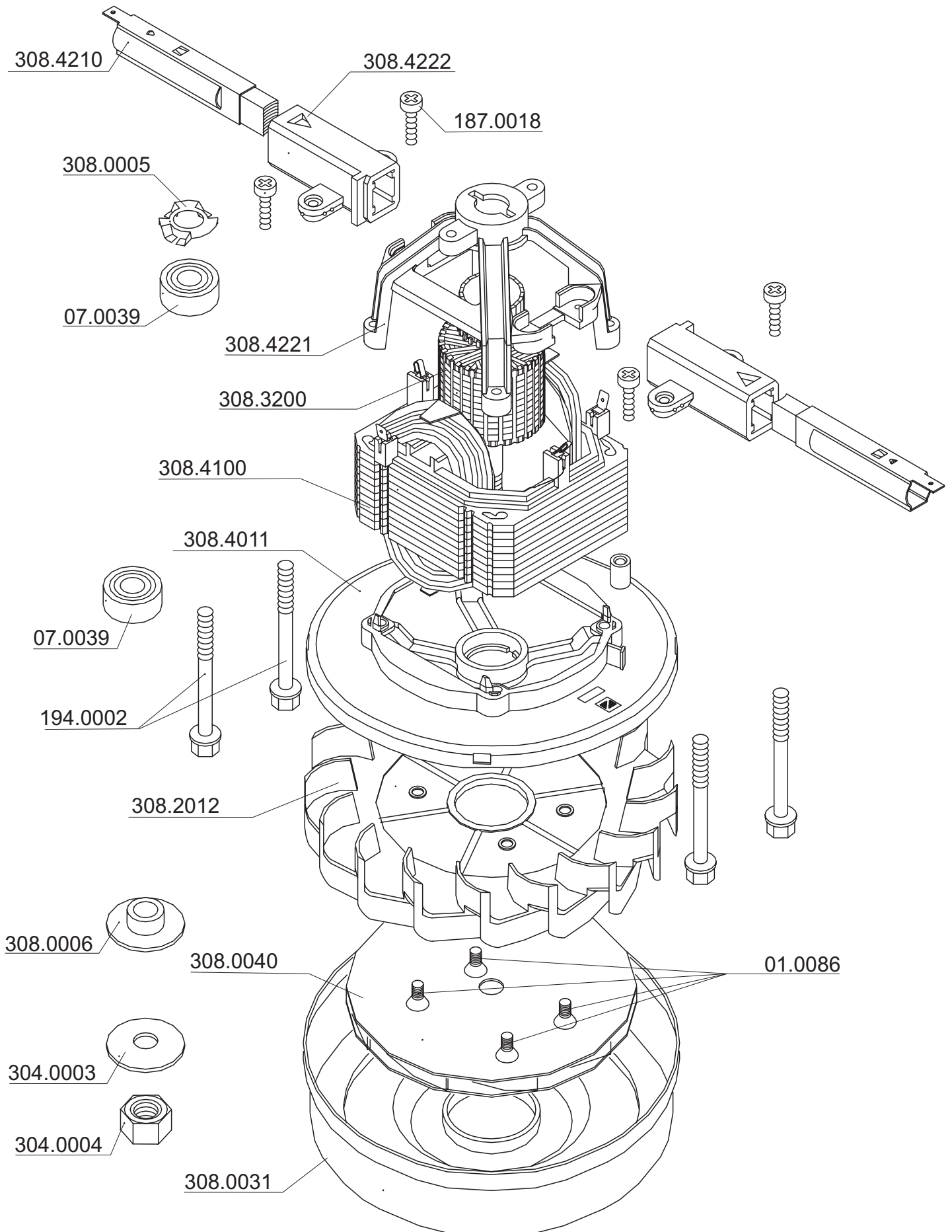


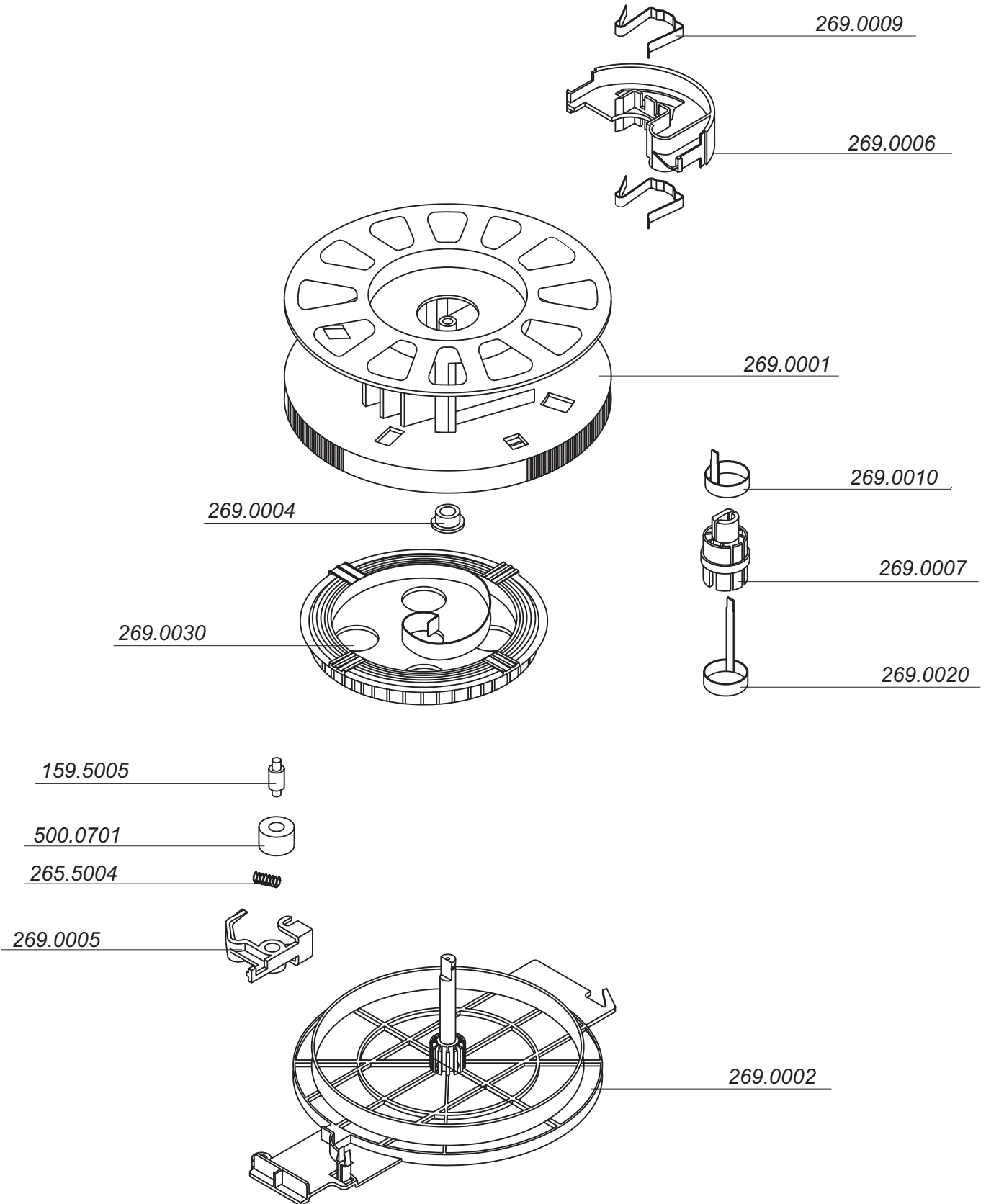
# VACUUM CLEANER ZELMER TYPE 1500.0.F08E (RED) ZELMER HUNGARY



# II SUCTION UNIT TYPE 308.4000



# III CORD WINDER 269.0000

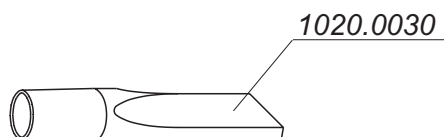
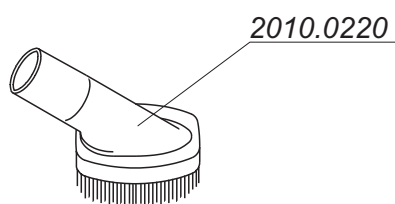
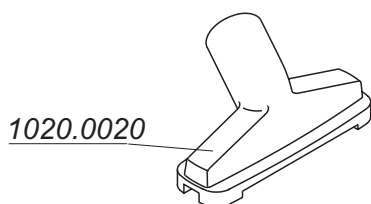
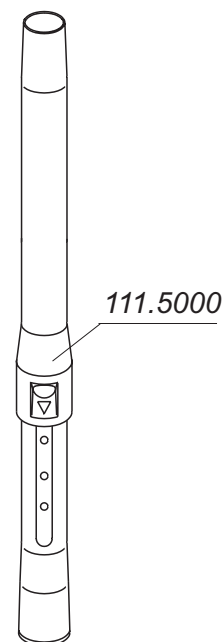
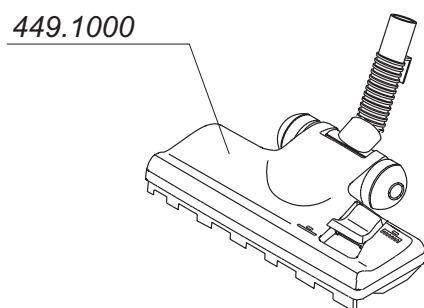
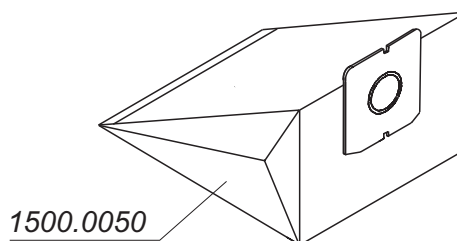
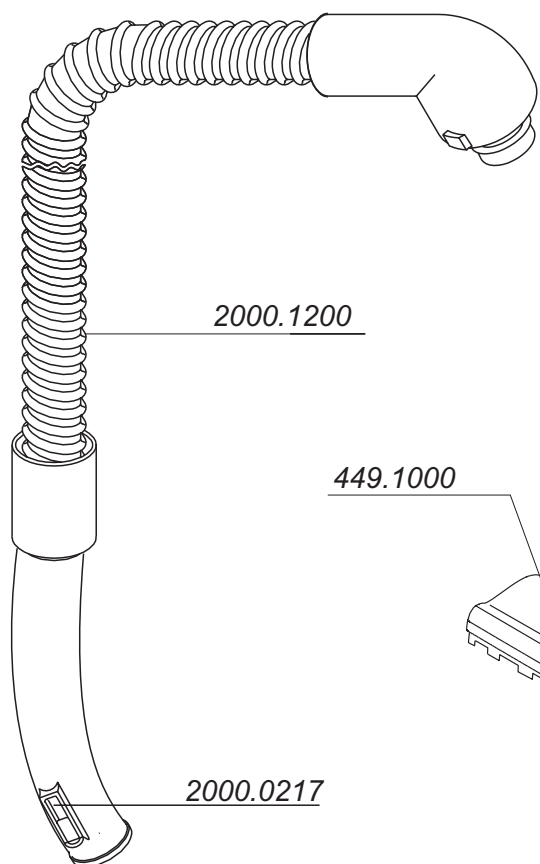


# IV VACUUM CLEANER ACCESSORIES

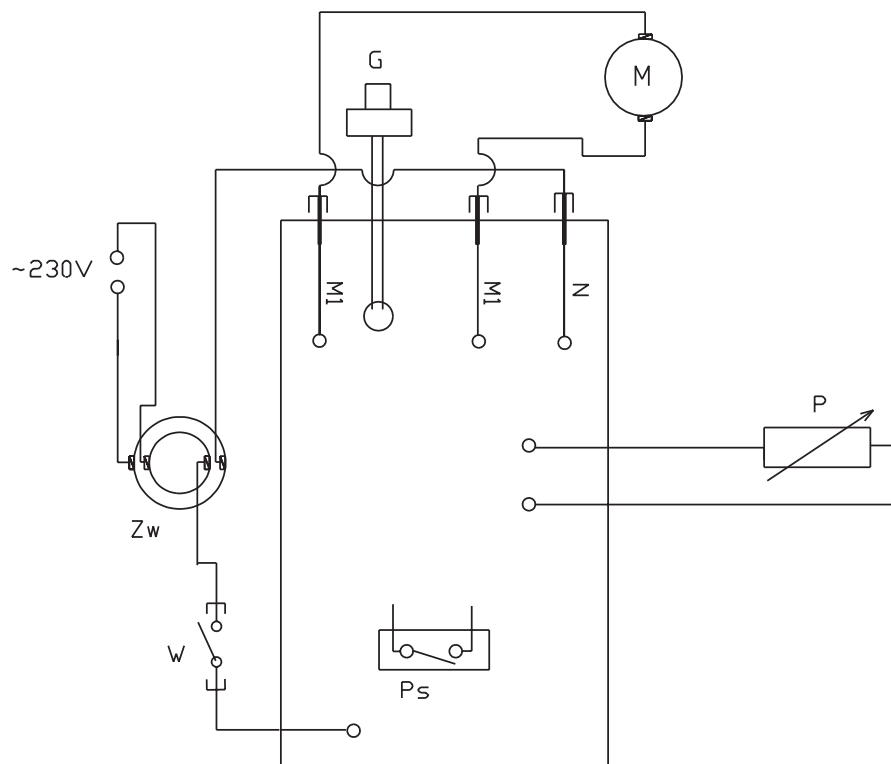
## ZELMER TYPE 1500.0.F08E

### (RED)

### ZELMER HUNGARY



# V ELECTRICAL DIAGRAM OF THE VACUUM CLEANER ZELMER TYPE 1500.0.F08E ZELMER HUNGARY



*Zw* - CORD WINDER  
*M* - MOTOR  
*W* - MAIN SWICH  
*G* - ELECTROBRUSH - SOCKET  
*P* - POTENTIOMETER  
*Ps* - PARKSYSTEM

# VI DISMANTLE OF VACUUM CLEANER ZELMER TYPE 1500

