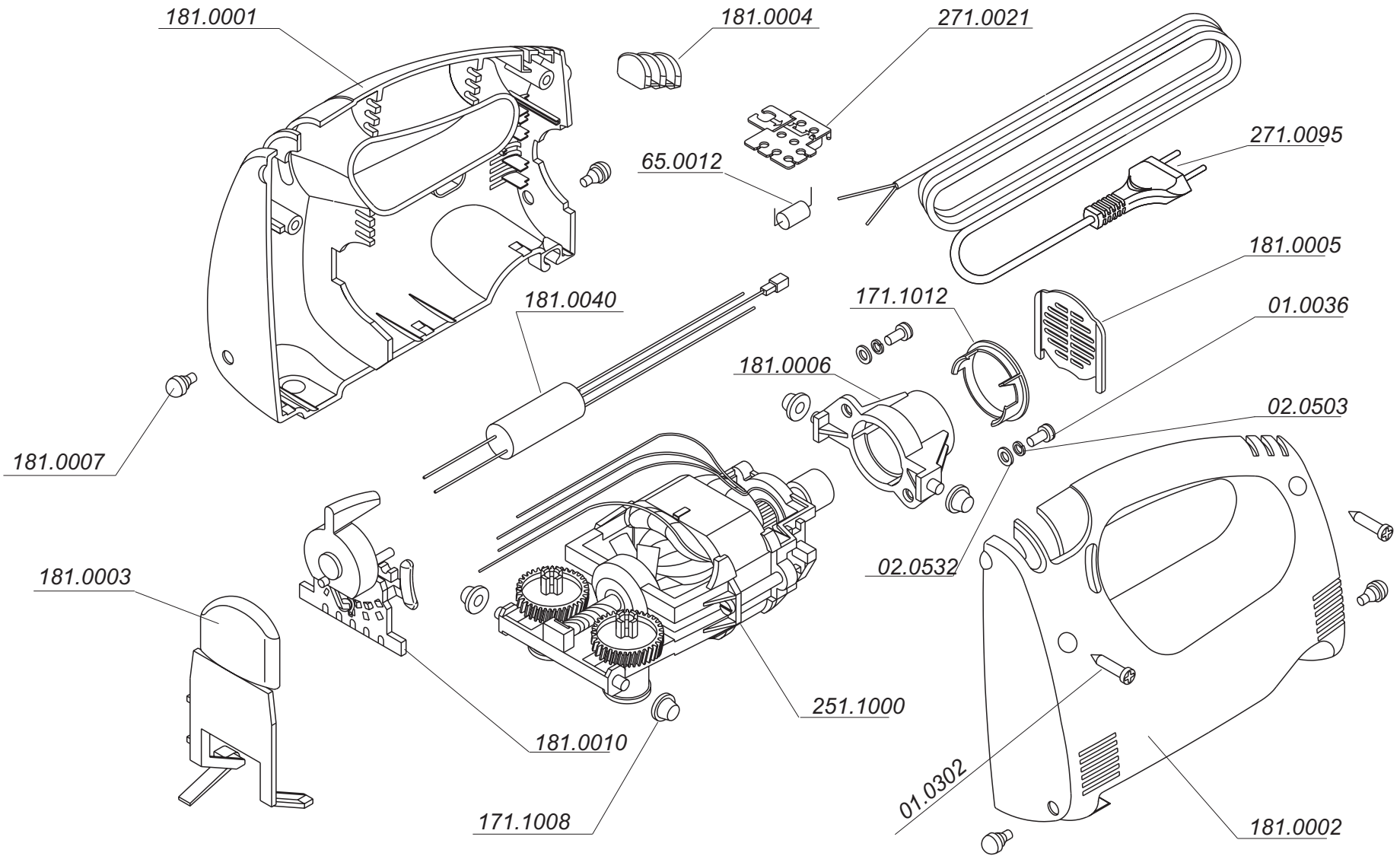
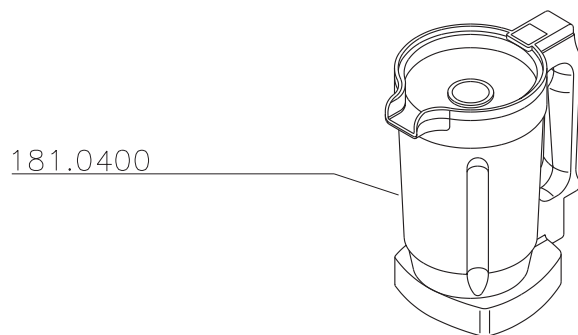
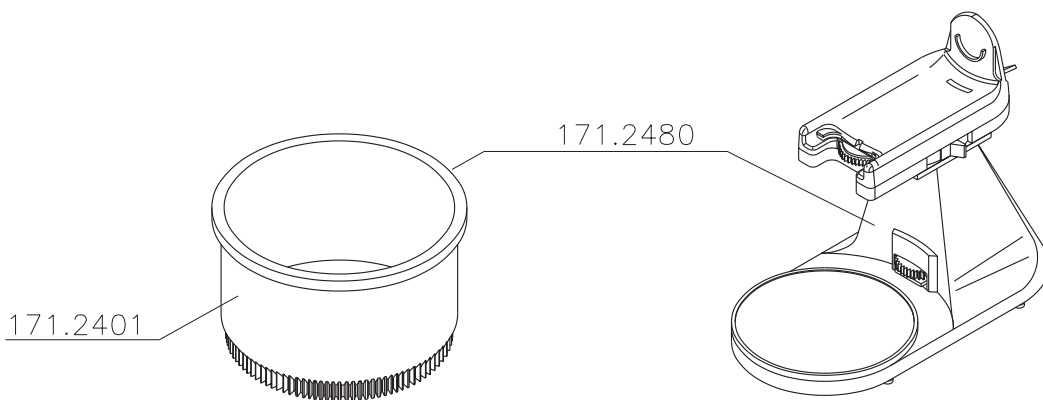
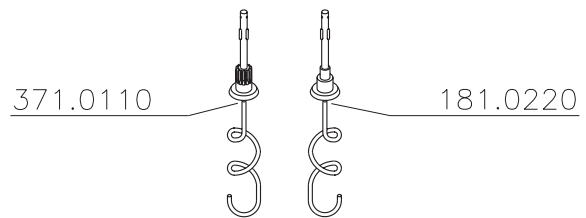
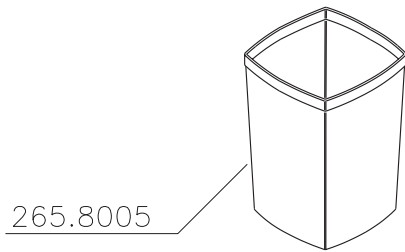
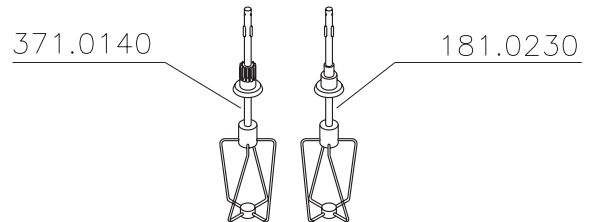
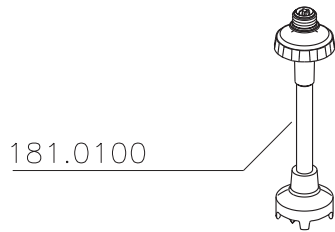


MIXER 181.6 / ZELMER HUNGARY DRIVE UNIT



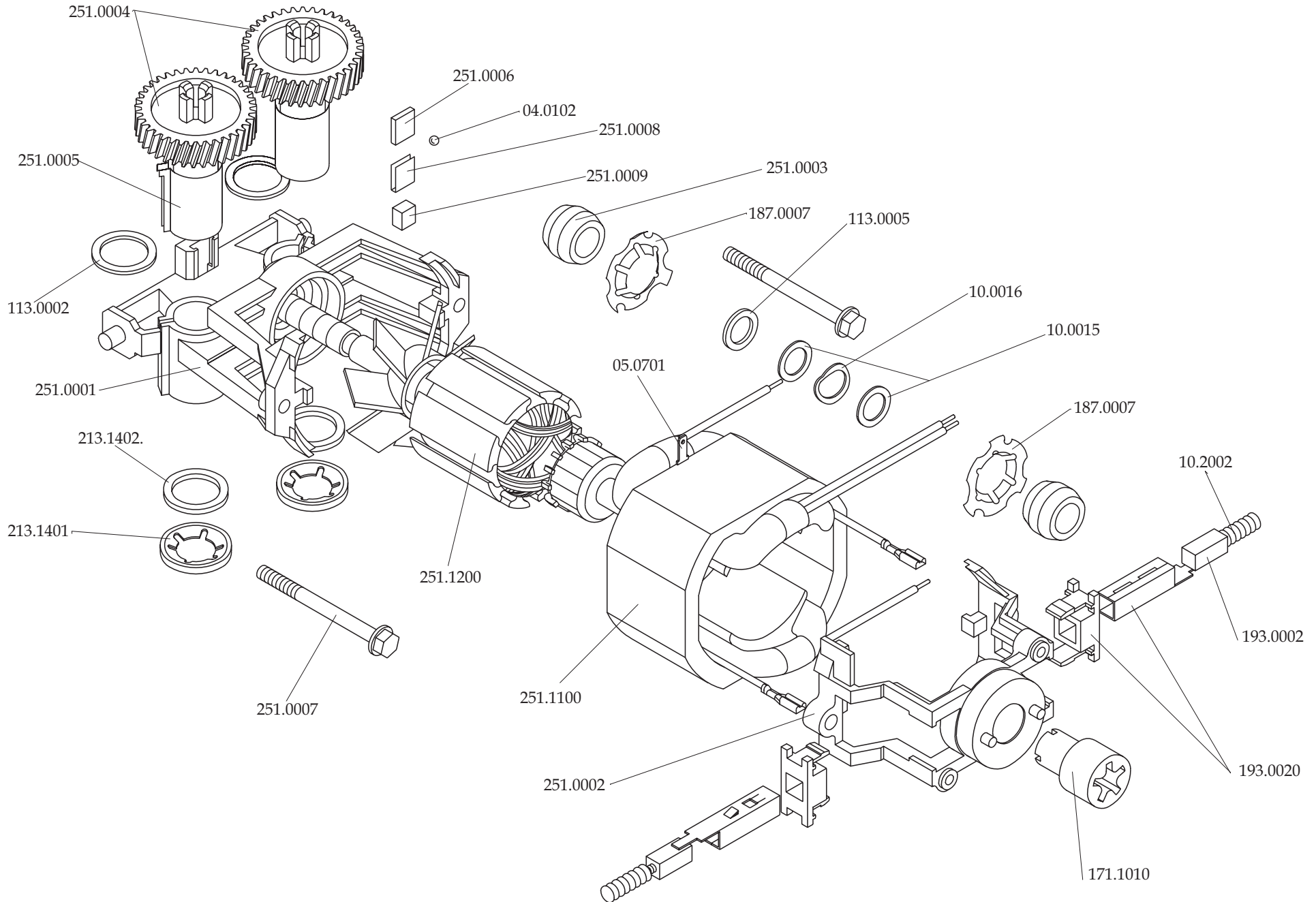
II MIXER 181.6 / ZELMER HUNGARY

ACCESSORIES



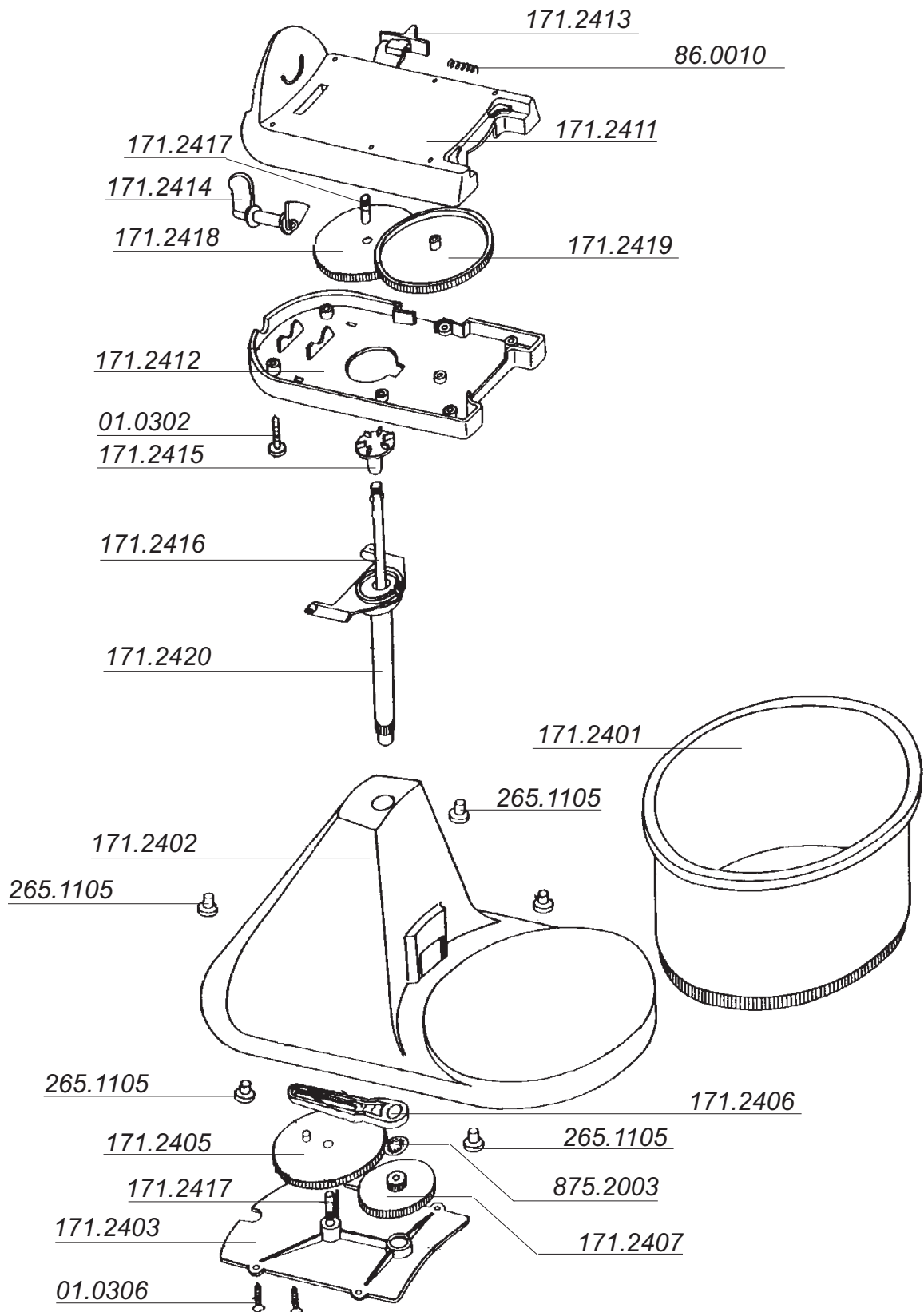
III MIXER 181.6 / ZELMER HUNGARY

MOTOR 251.1000



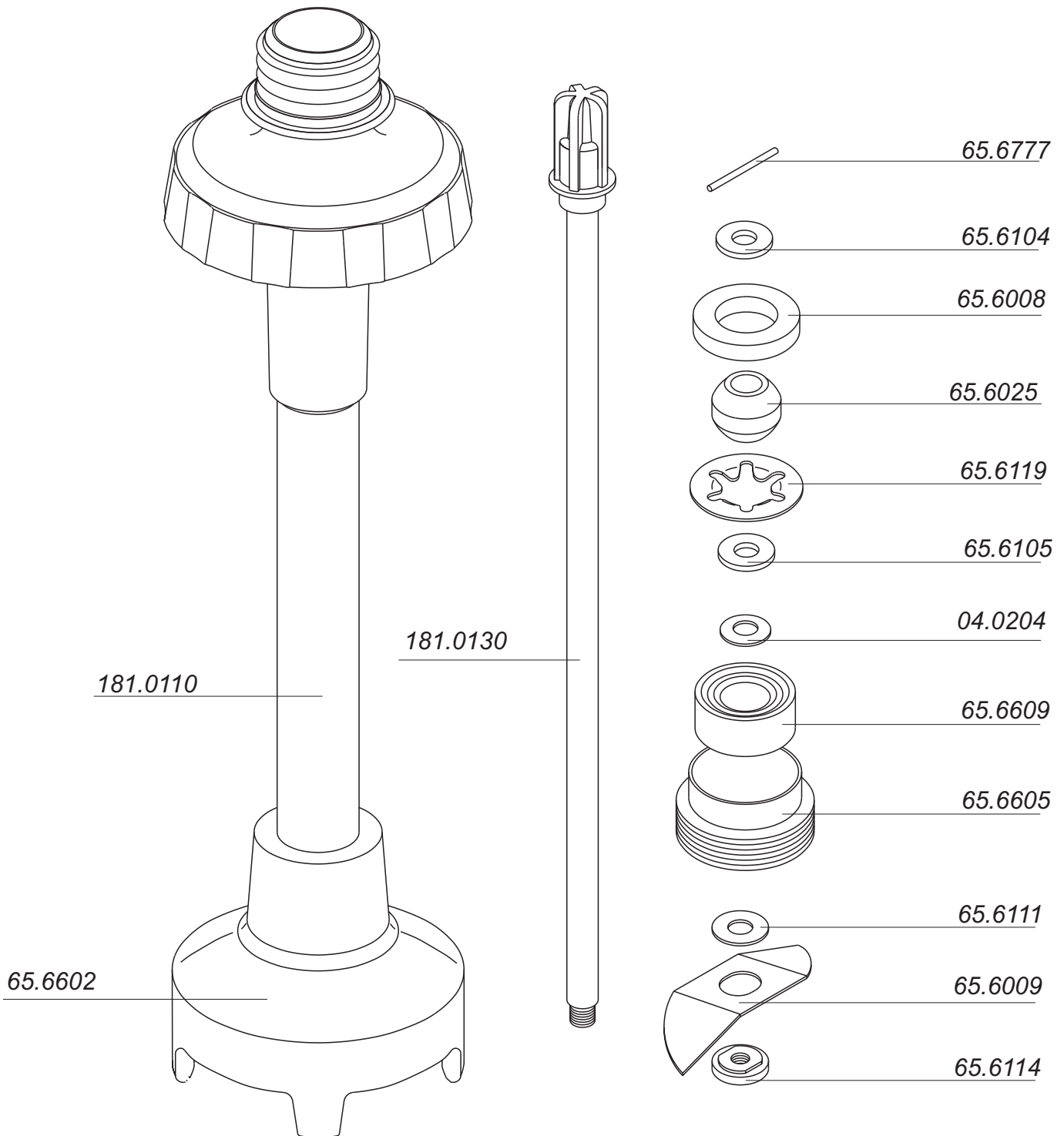
IV MIXER 181.6 / ZELMER HUNGARY

ACCESSORIES 171.2480



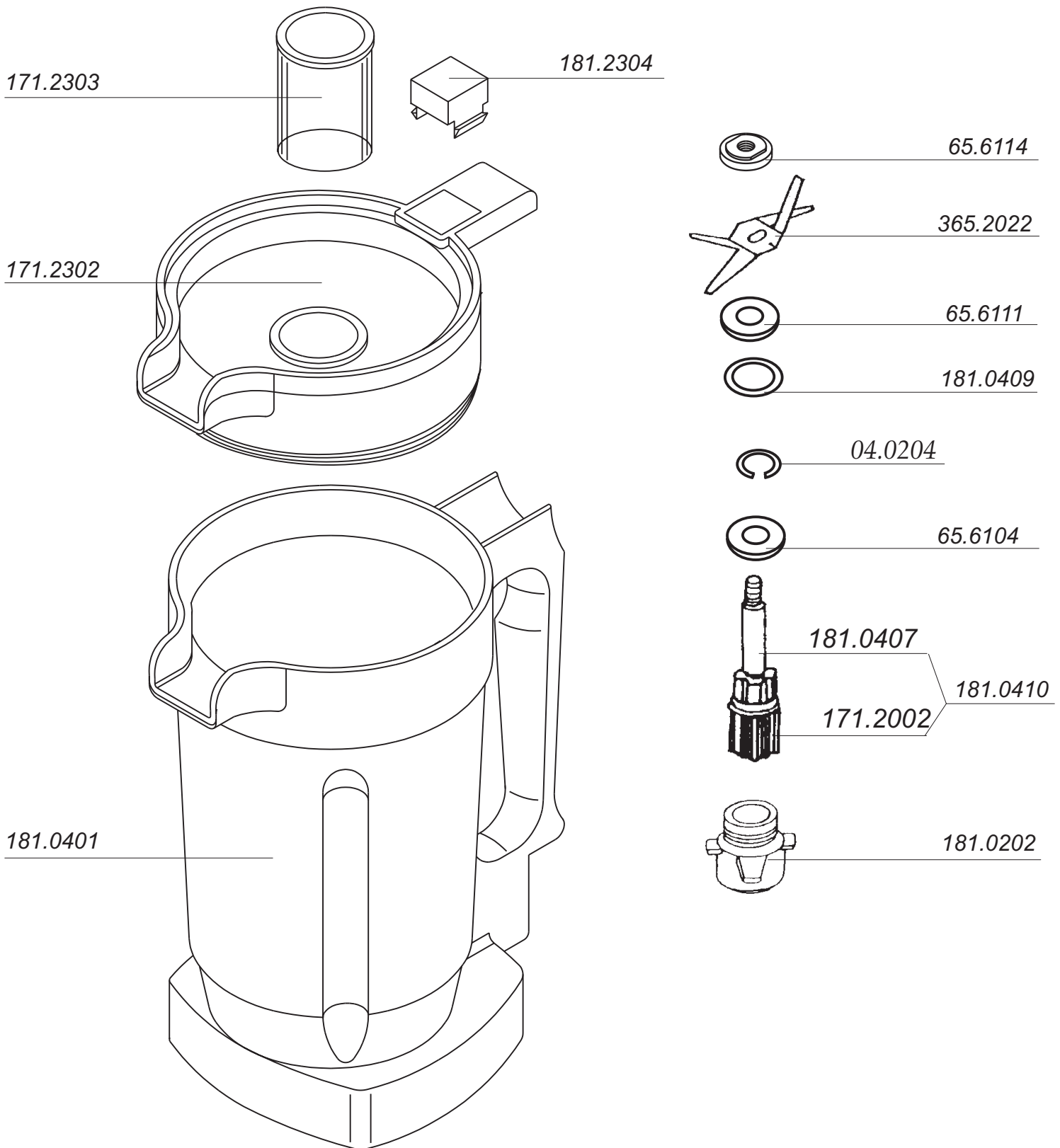
V MIXER 181.6 / ZELMER HUNGARY

ACCESSORIES - 181.0100



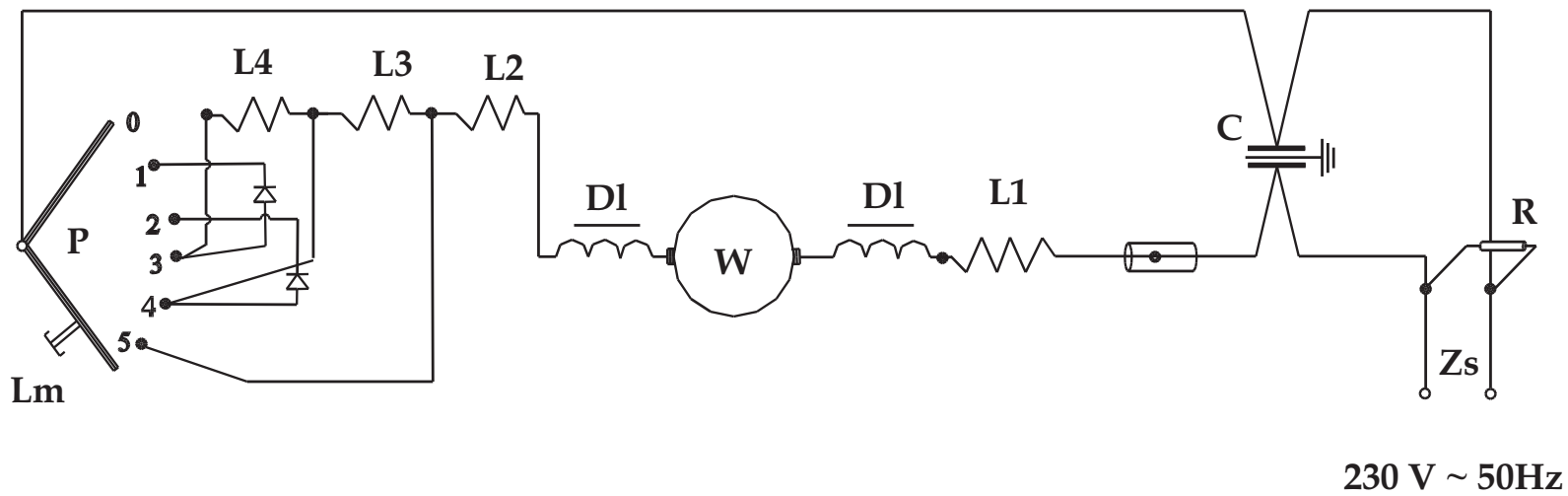
VI MIXER 181.6 / ZELMER HUNGARY

ACCESSORIES - 181.0400



VII MIXER 181.6 / ZELMER HUNGARY

ELECTRIC DIAGRAM



- W - rotor
- C - capacitor
- R - resistor 1 M Ω
- L1-L4 - stator coils
- Lm - turbo switch
- Zs - special joint
- P - switch
- D1 - choke