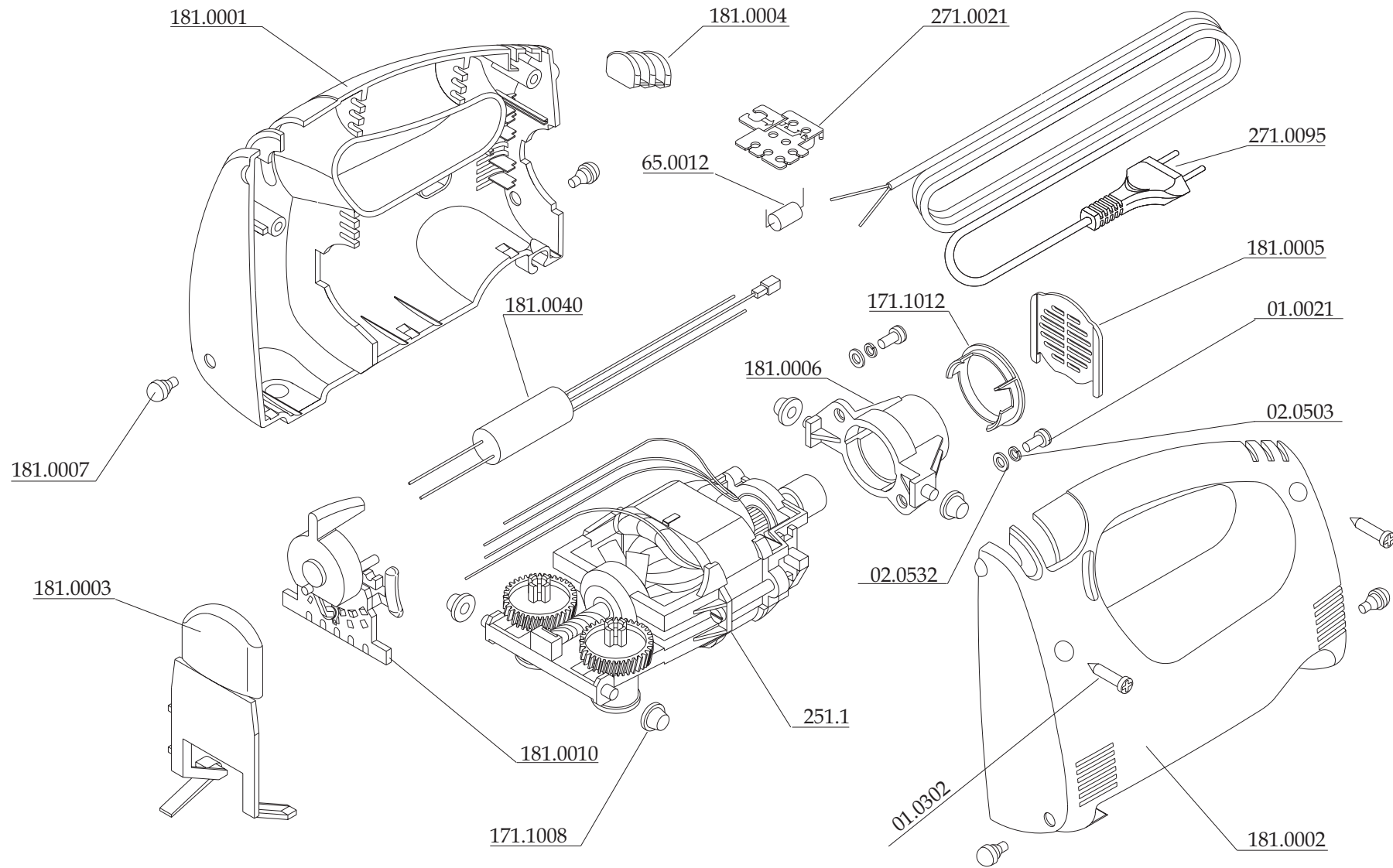


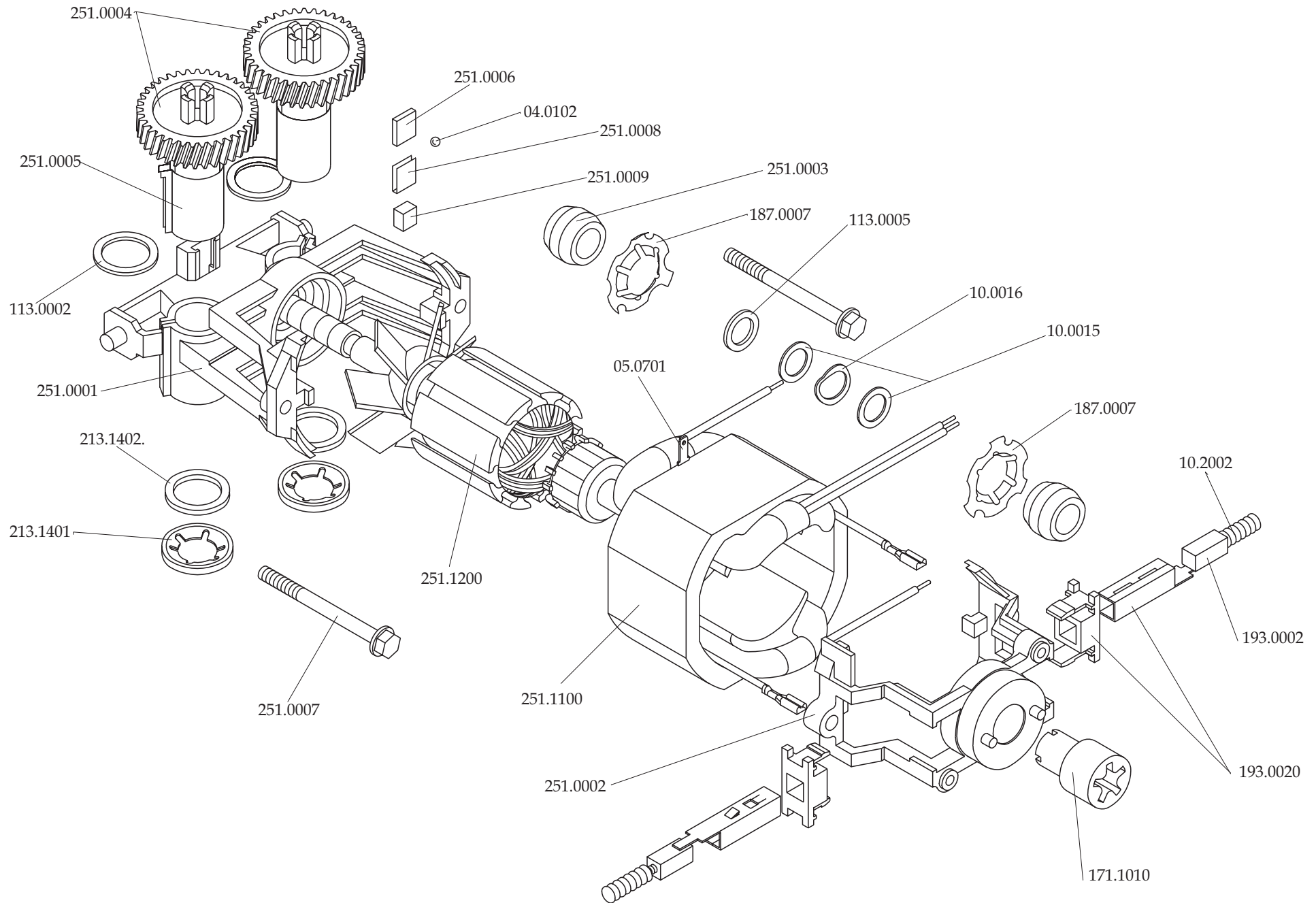
# I MIXER 181.6 / ZELMER HUNGARY

## DRIVE UNIT



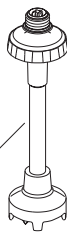
# II MIXER 181.6 / ZELMER HUNGARY

## MOTOR 251.1000

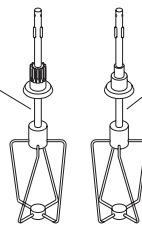


# III MIXER 181.6 / ZELMER HUNGARY ACCESSORIES

181.0100

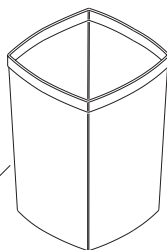


371.0140

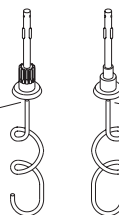


181.0230

265.8005

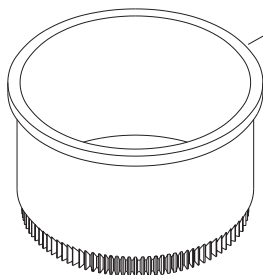


371.0110

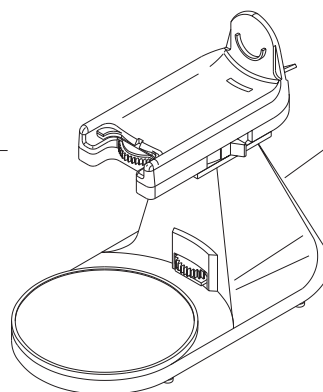


181.0220

171.2401

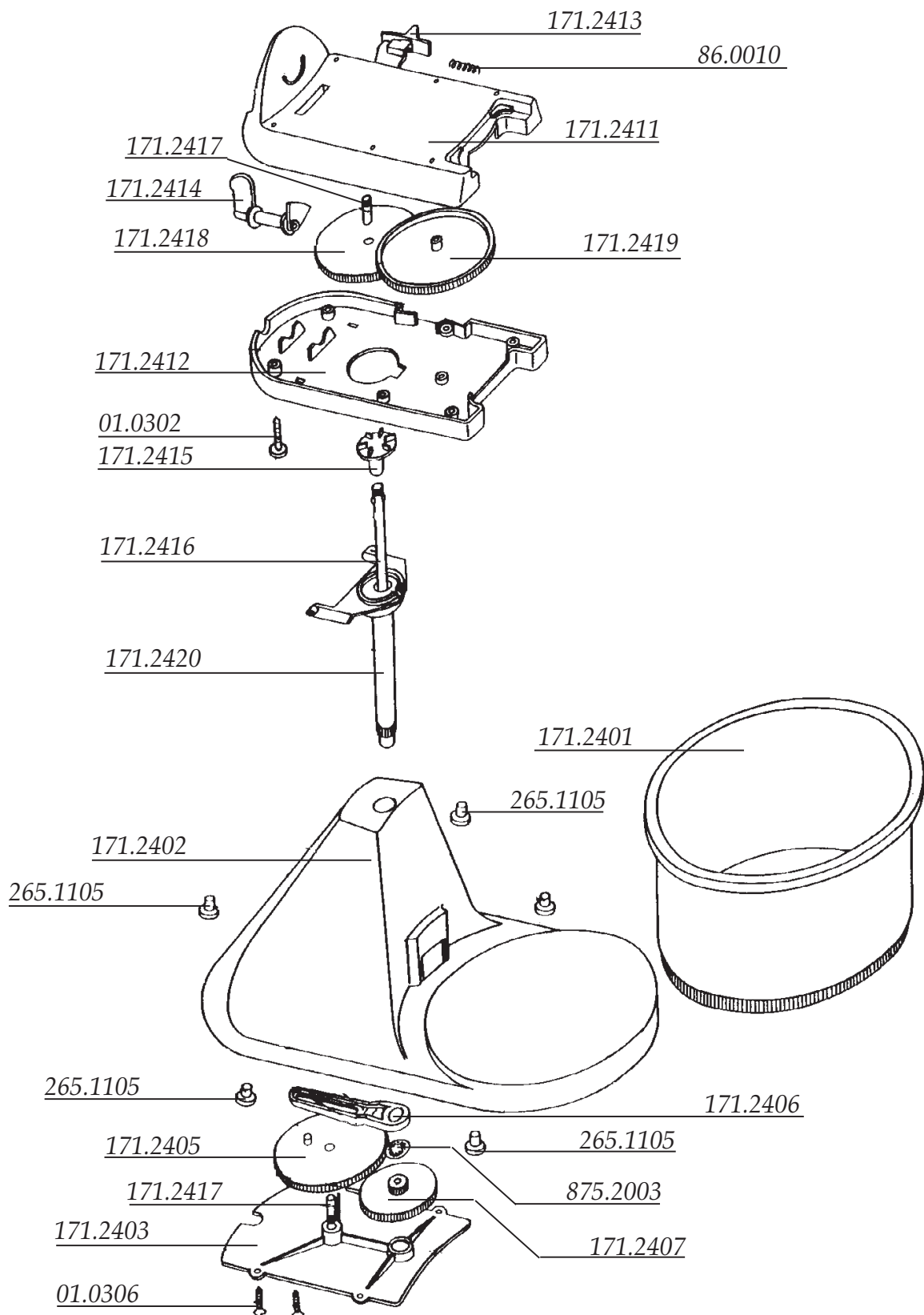


171.2480



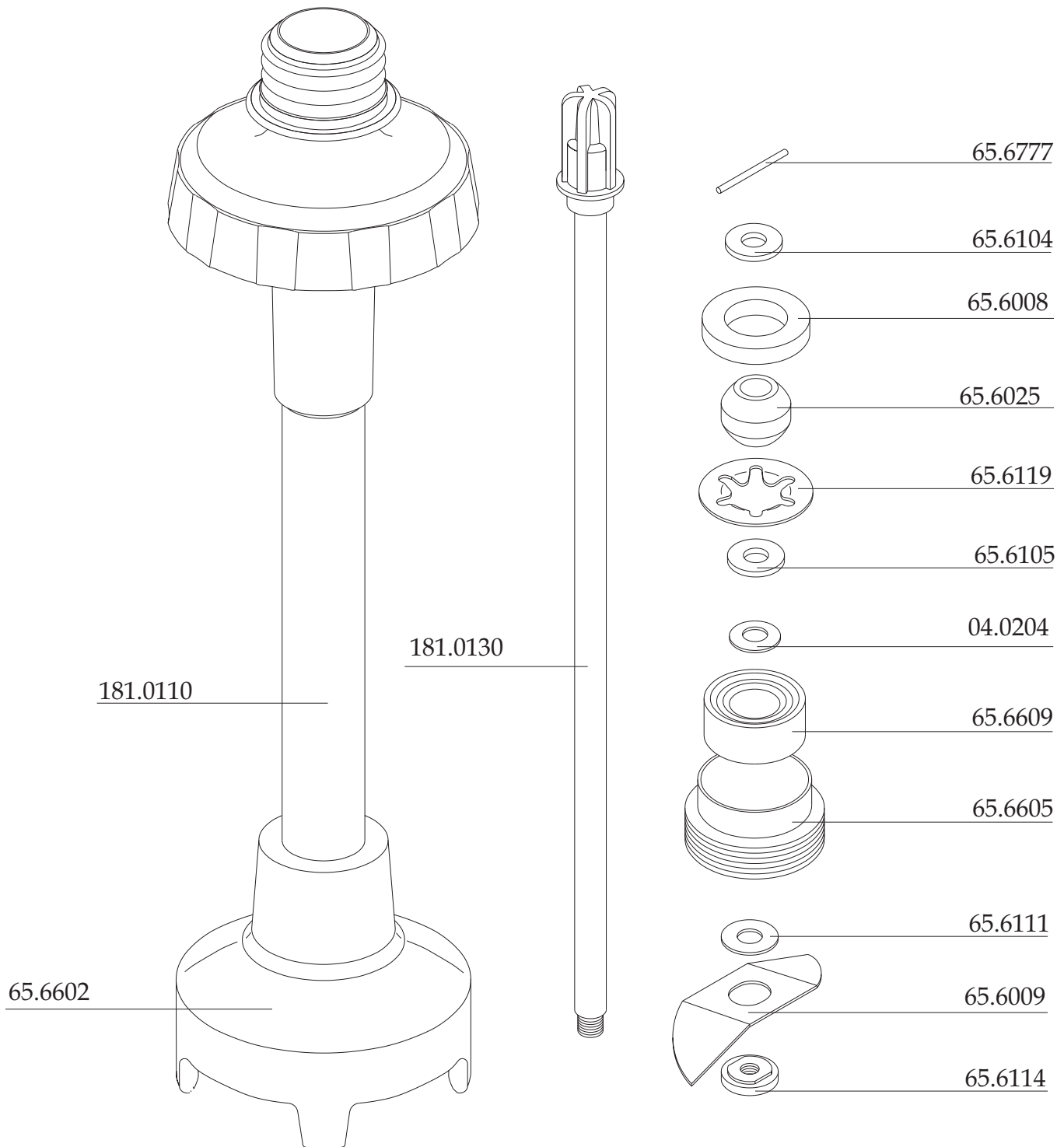
# IV MIXER 181.6 / ZELMER HUNGARY

## ACCESSORIES 171.2480



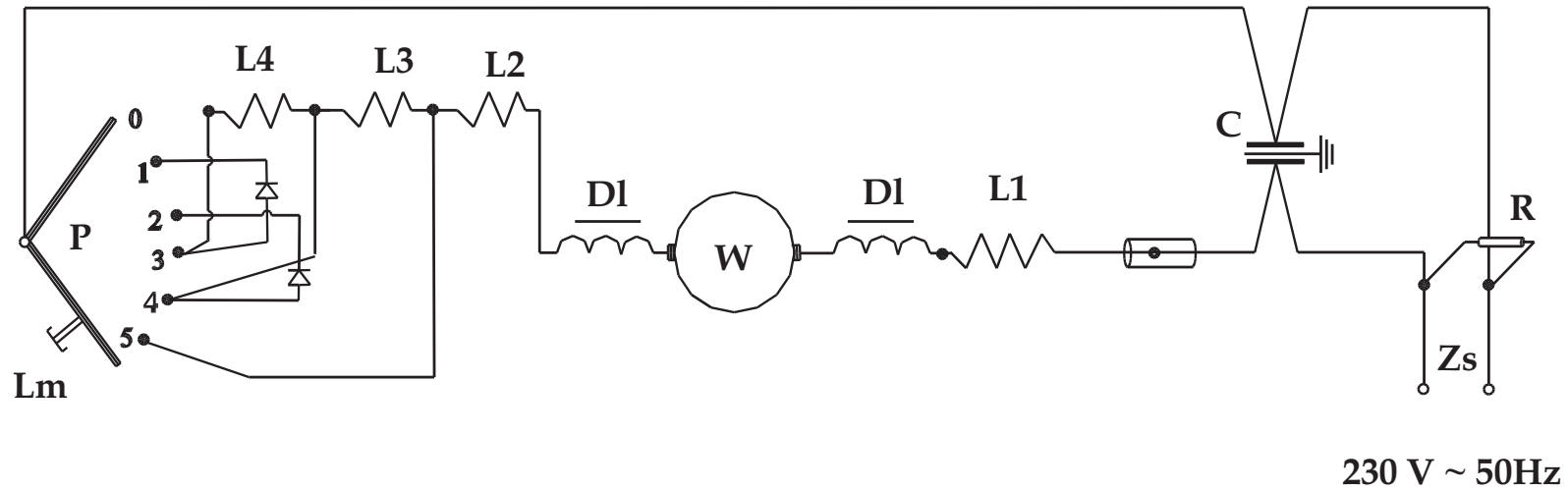
# V MIXER 181.6 / ZELMER HUNGARY

## ACCESSORIES - 181.0100



# VI MIXER 181.6 / ZELMER HUNGARY

## ELEKTRIC DIAGRAM



- W - rotor
- C - capacitor
- R - resistor 1 MΩ
- L1 -L4 - stator coils
- Lm - turbo switch
- Zs - special joint
- P - switch
- D1 - choke