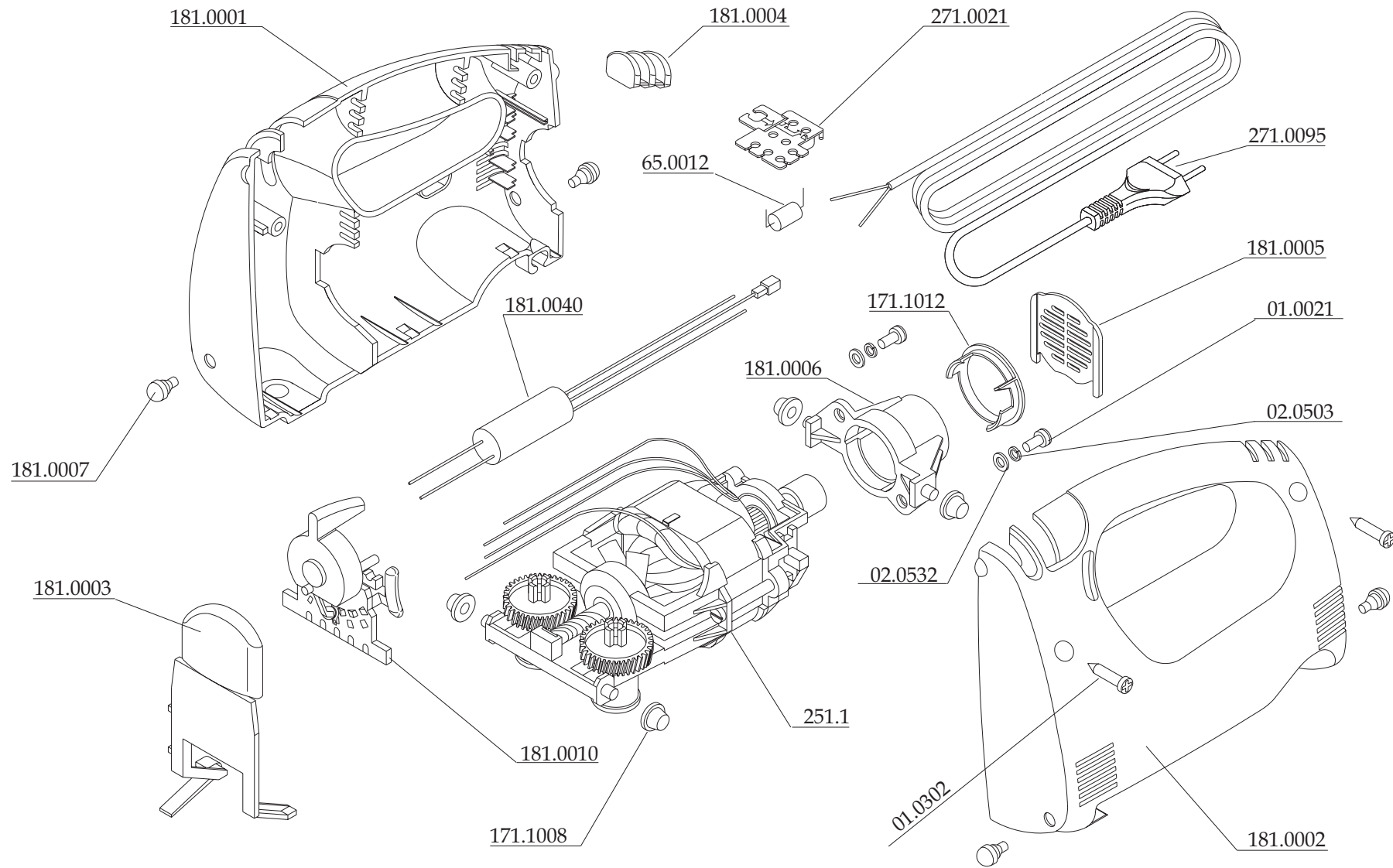


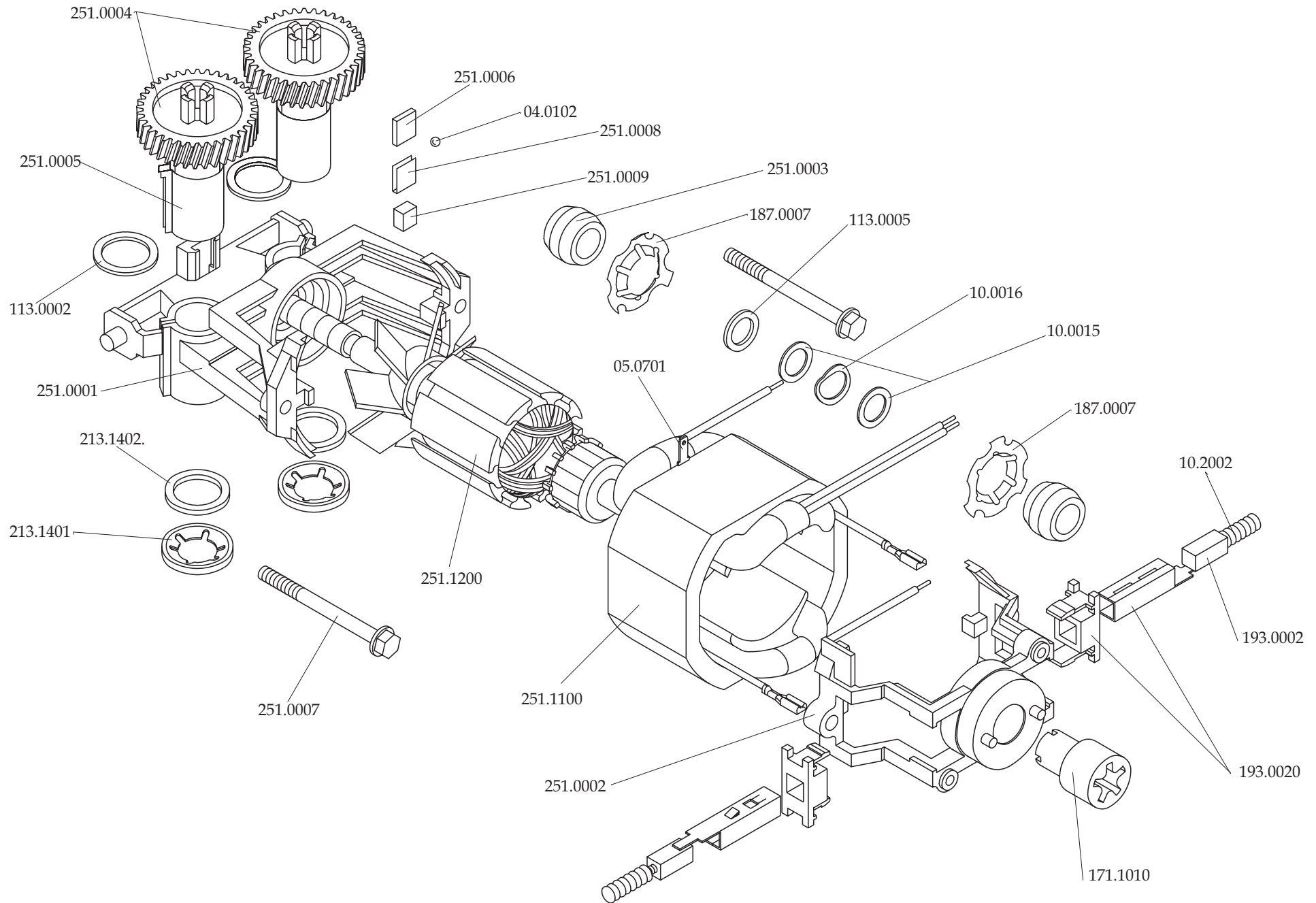
I MIXER 181.7 / ZELMER HUNGARY

DRIVE UNIT

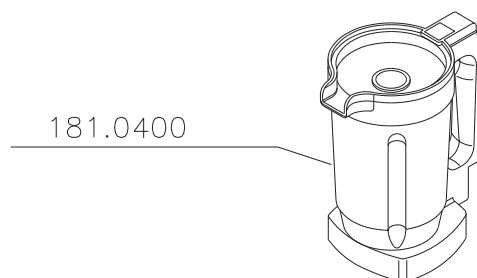
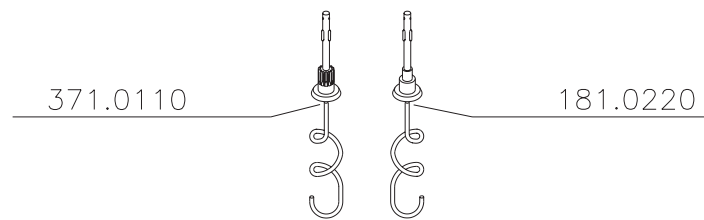
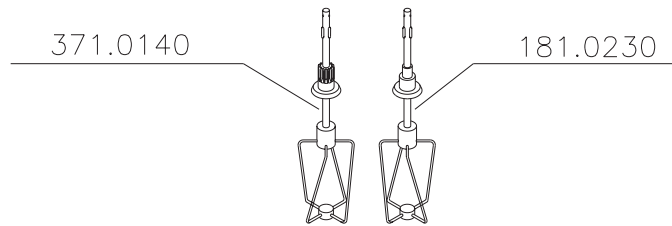


II MIXER 181.7 / ZELMER HUNGARY

MOTOR 251.1000

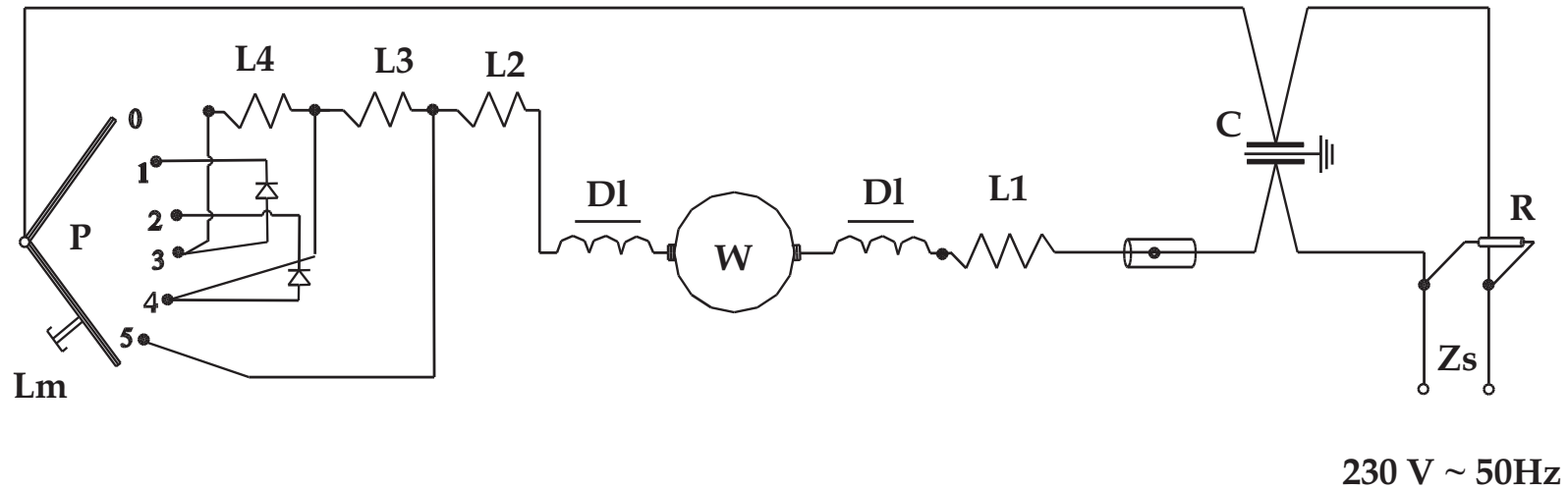


III MIXER 181.7 / ZELMER HUNGARY ACCESSORIES



V MIXER 181.7 /ZELMER HUNGARY

ELEKTRIC DIAGRAM



- W - rotor
- C - capacitor
- R - resistor 1 MΩ
- L1 -L4 - stator coils
- Lm - turbo switch
- Zs - special joint
- P - switch
- DI - choke

IV MIXER 181.7 / ZELMER HUNGARY

ACCESSORIES - 181.0400

