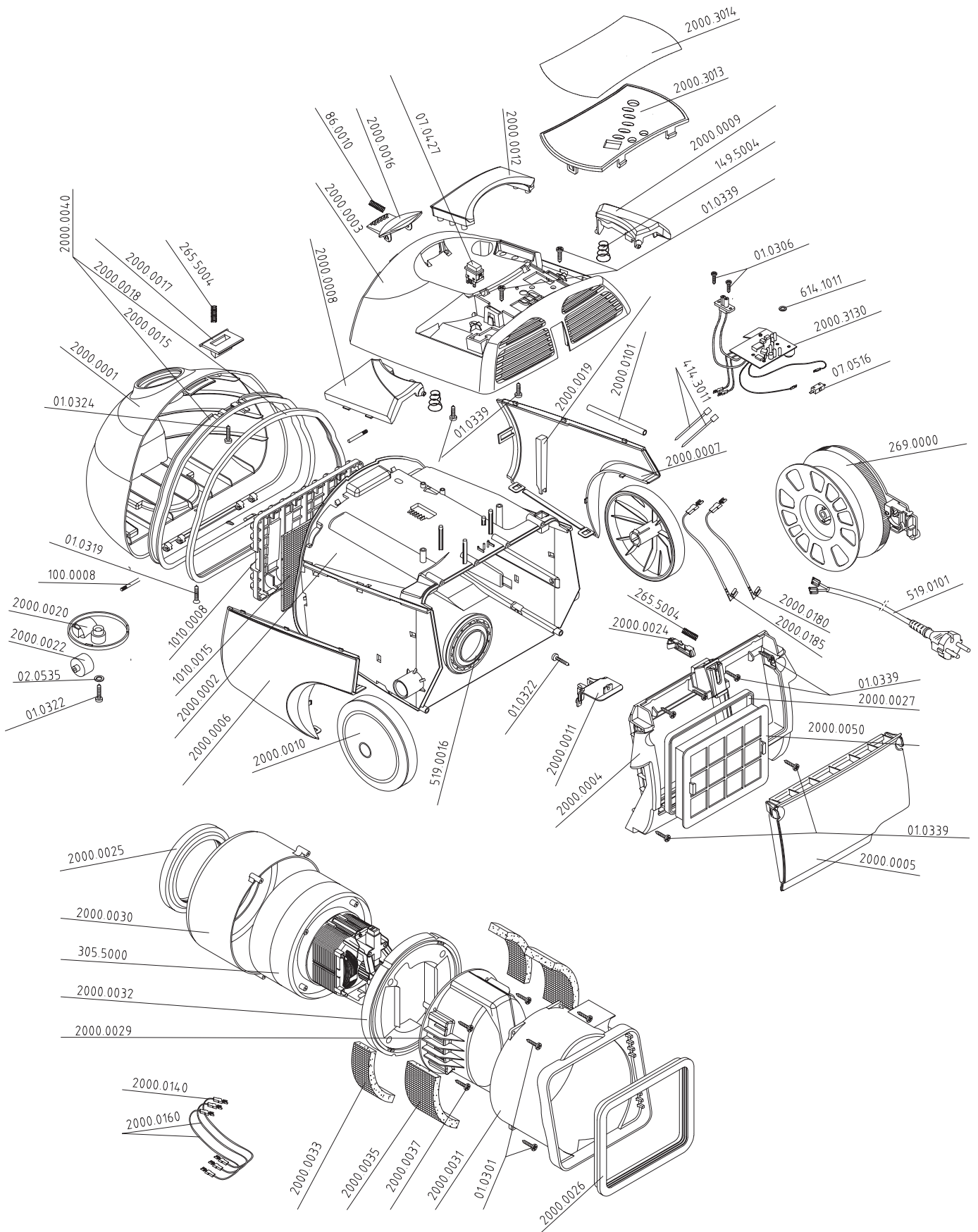
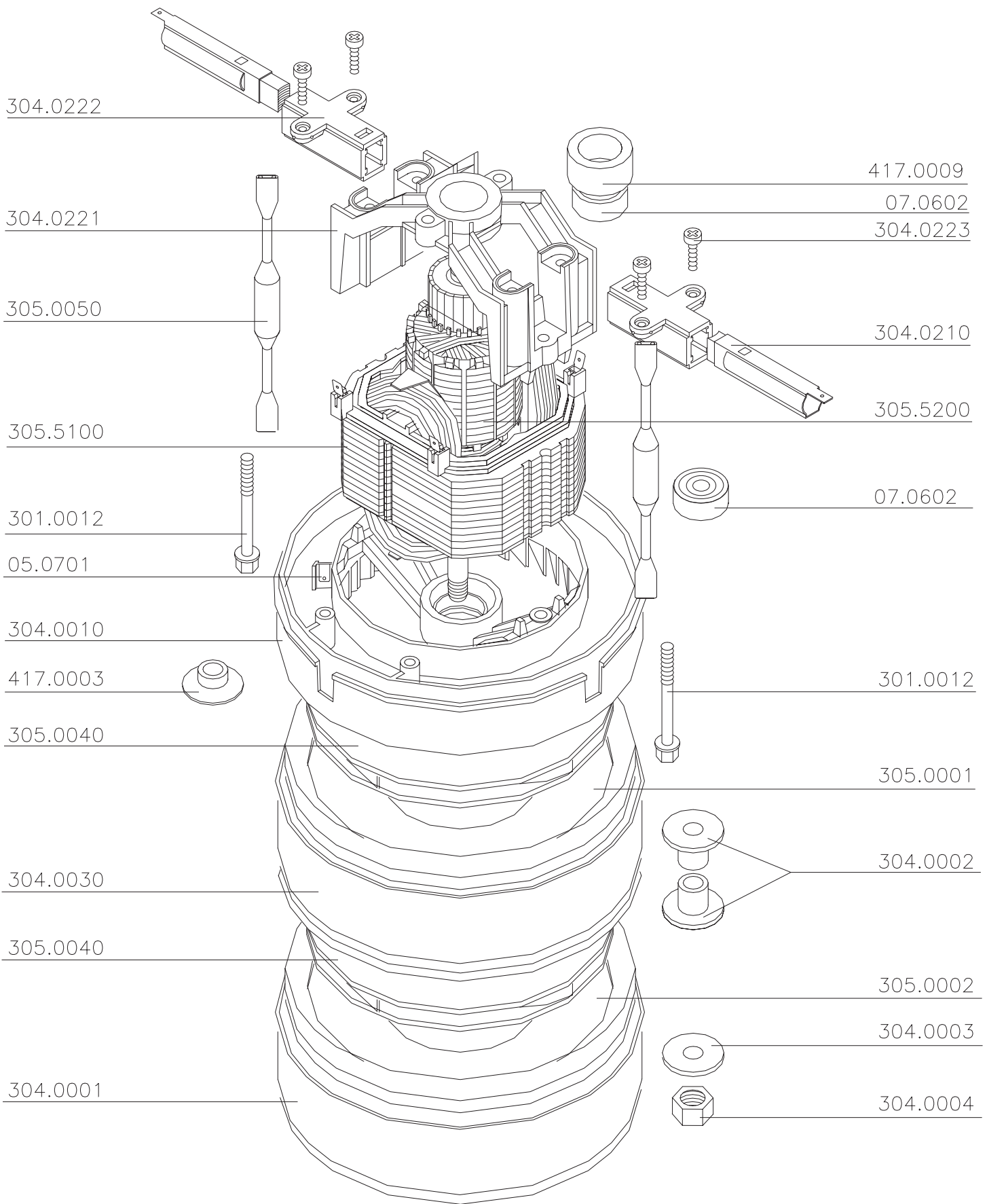


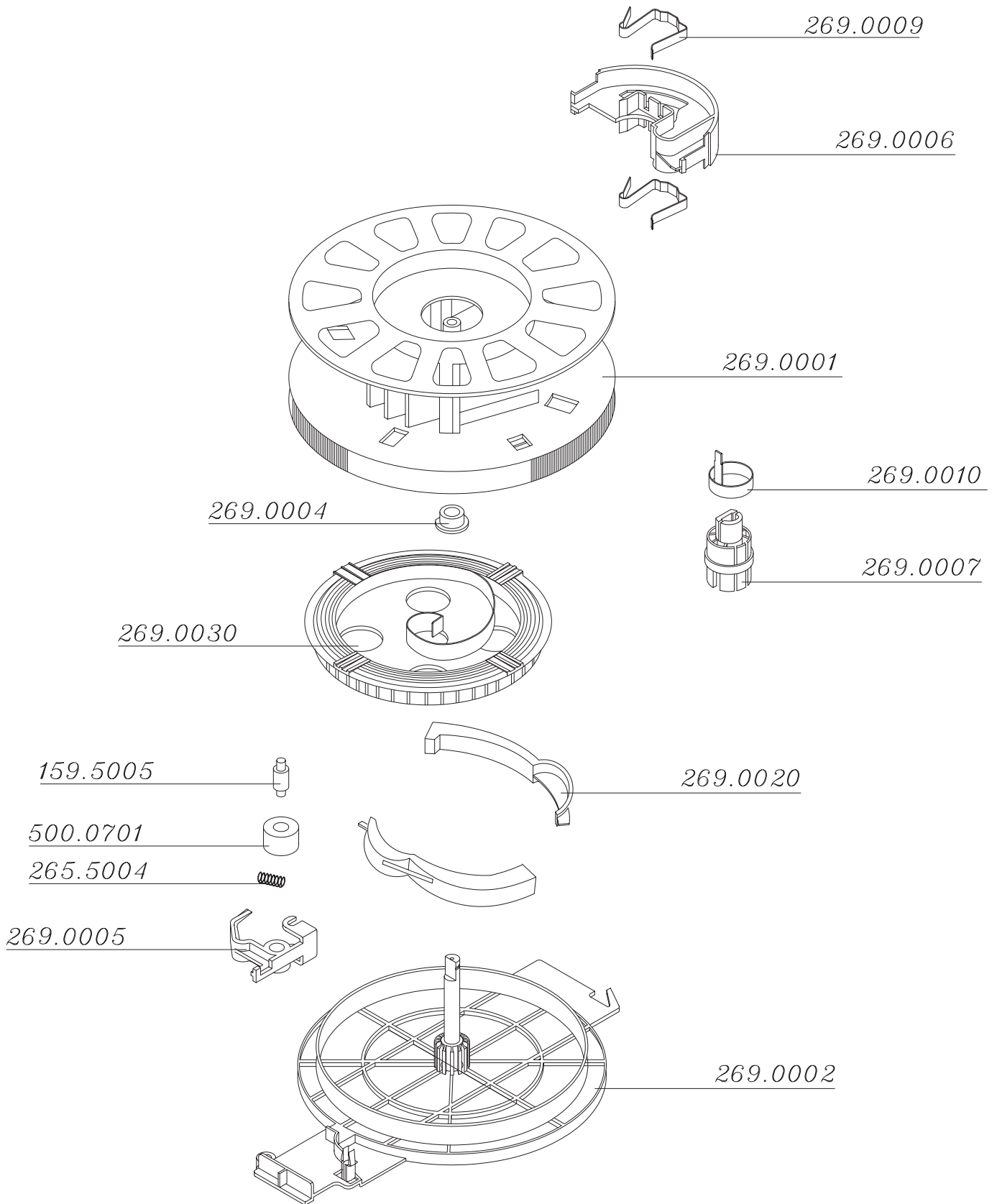
I VACUUM CLEANER ZELMER TYPE 2000.3.B04S ZELMER HUNGARY



II SUCTION UNIT 305.5000

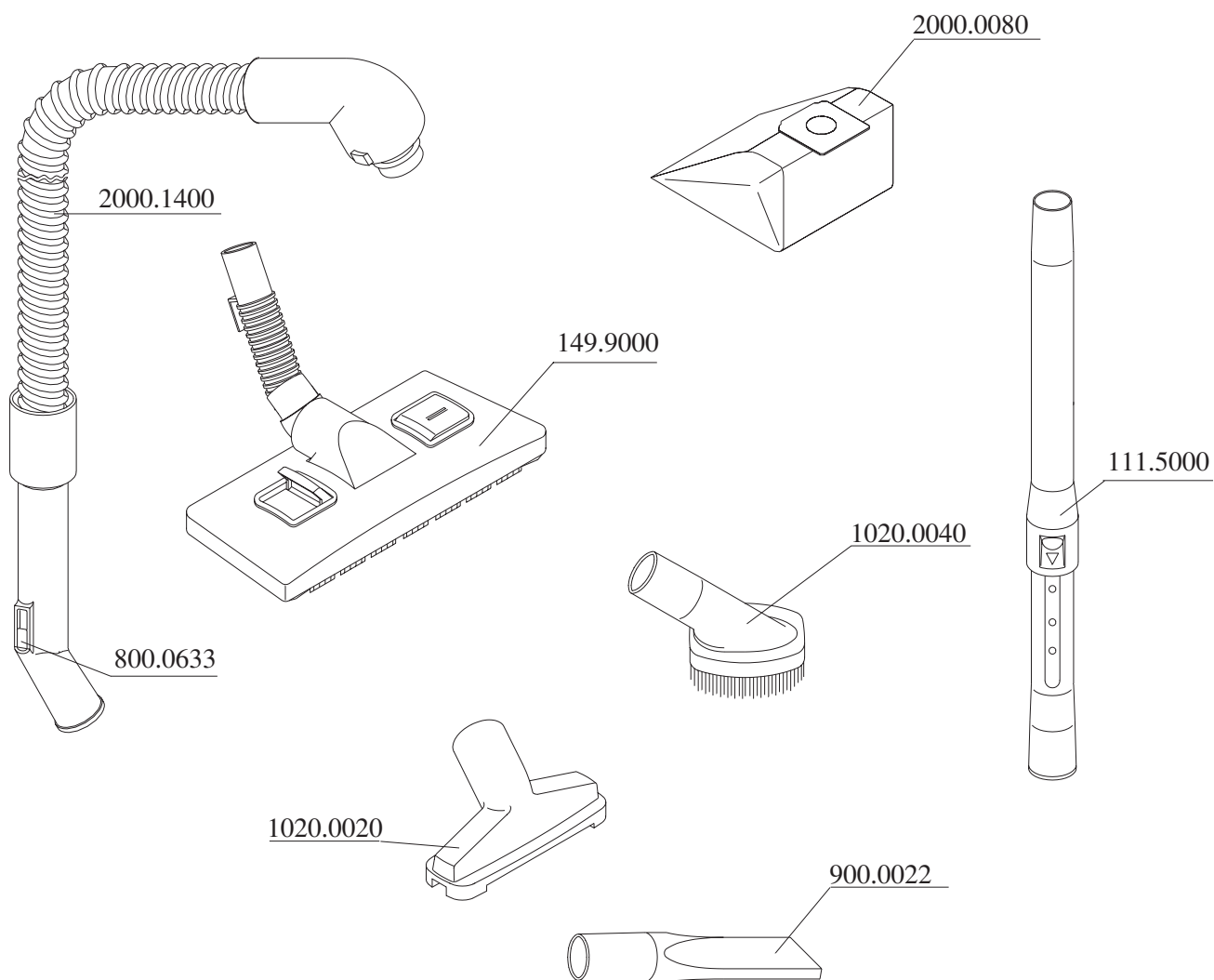


III CORD WINDER 269.0000

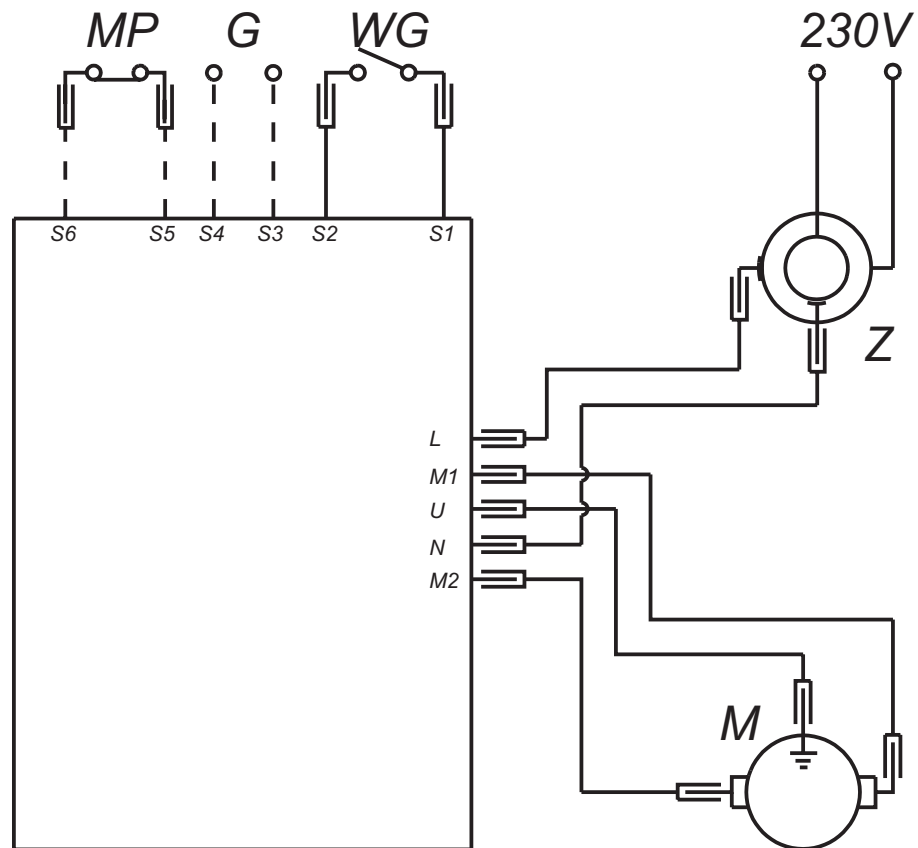


IV VACUUM CLEANER ACCESSORIES

ZELMER TYPE 2000.3.B04S / ZELMER HUNGARY



V ELECTRICAL DIAGRAM OF THE VACUUM CLEANER TYPE 2000.3.B04S / ZELMER HUNGARY



- MP -parksystem microswitch
- M -suction unit
- WG -main switch
- Z -cord winder
- G - electrobrush - socket

VI HOSE HANDLE TYPE 2000.1400

