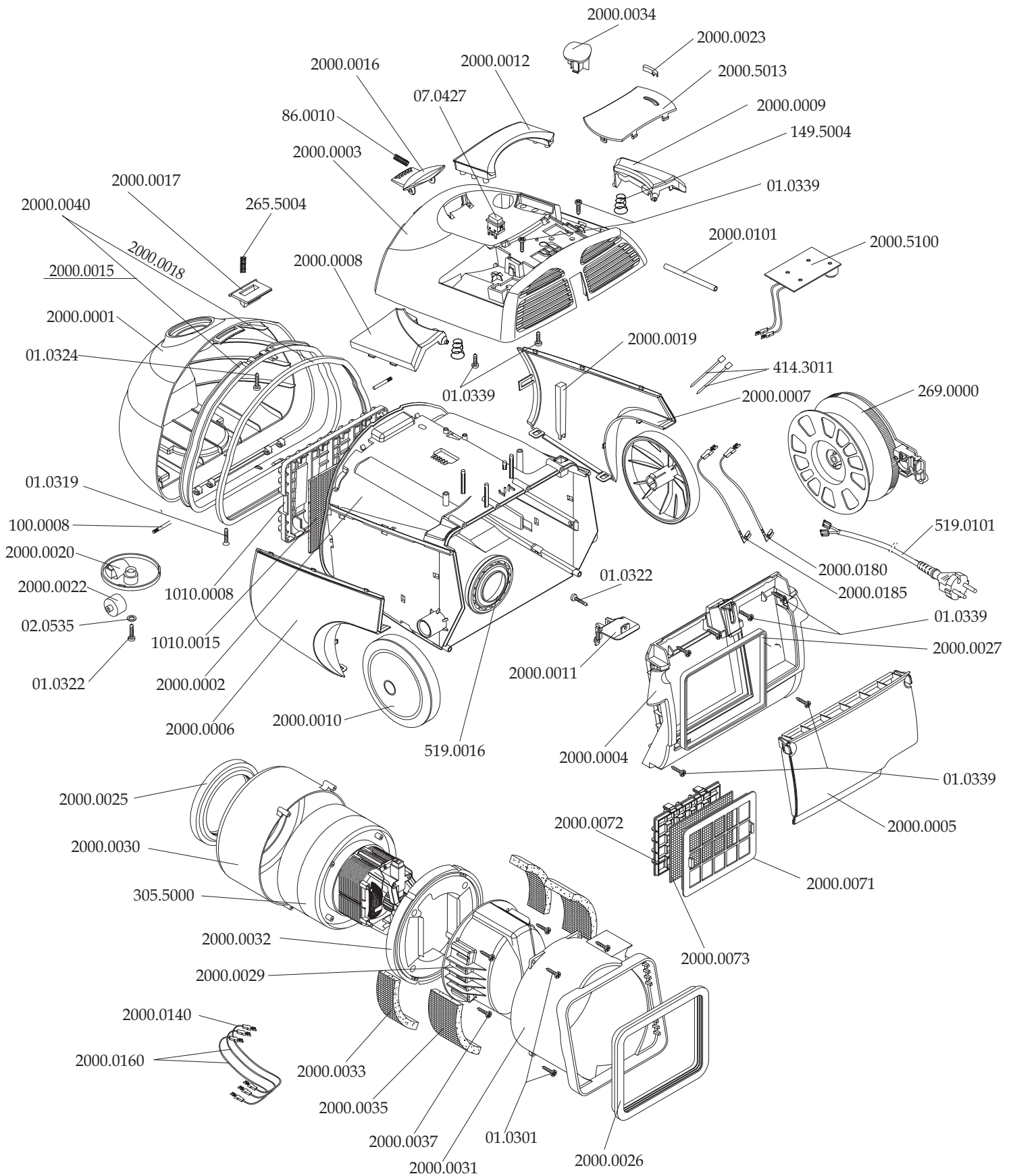


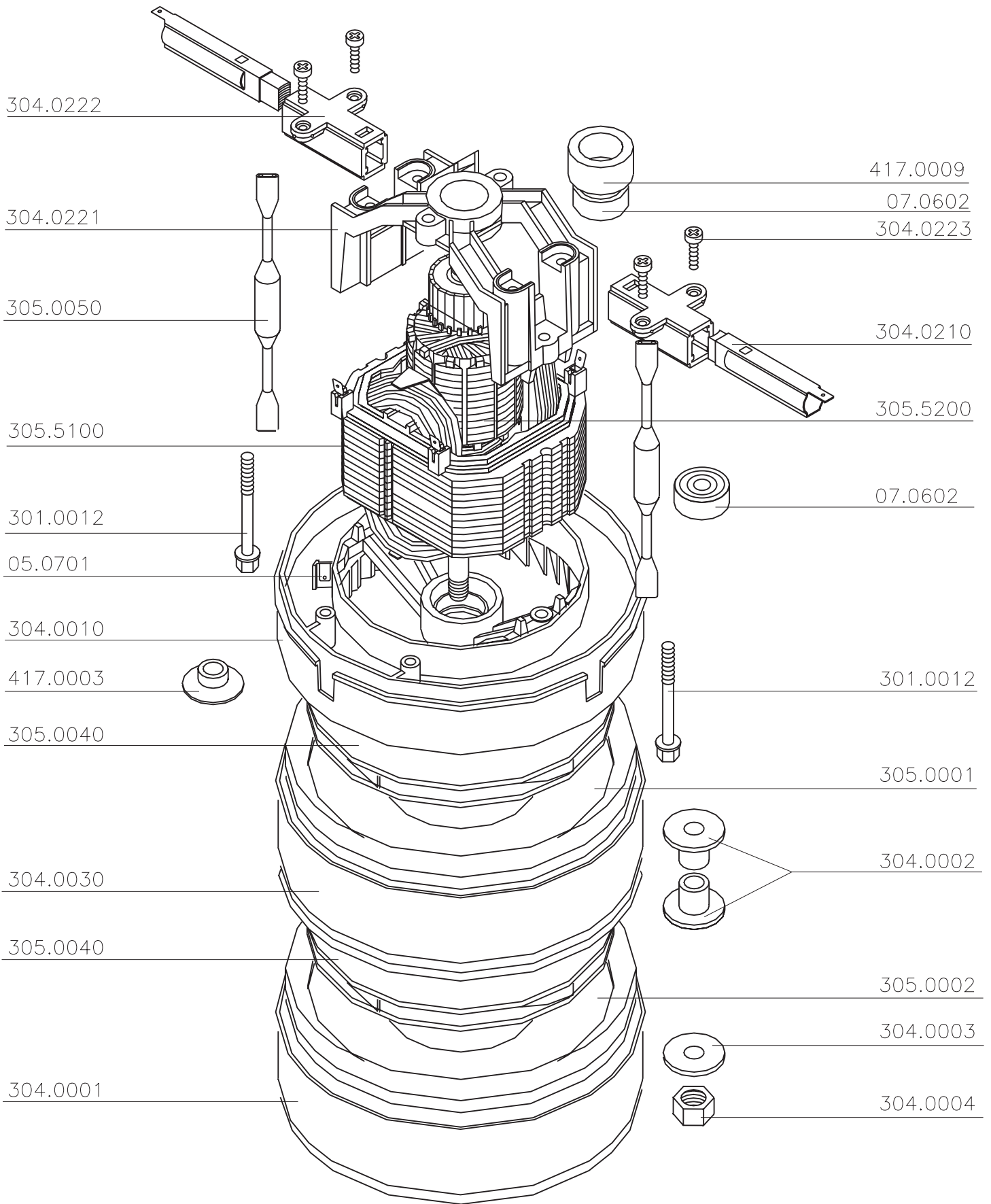
I VACUUM CLEANER

ZELMER TYPE 2000.5.B01E (GREEN RAL 6005)

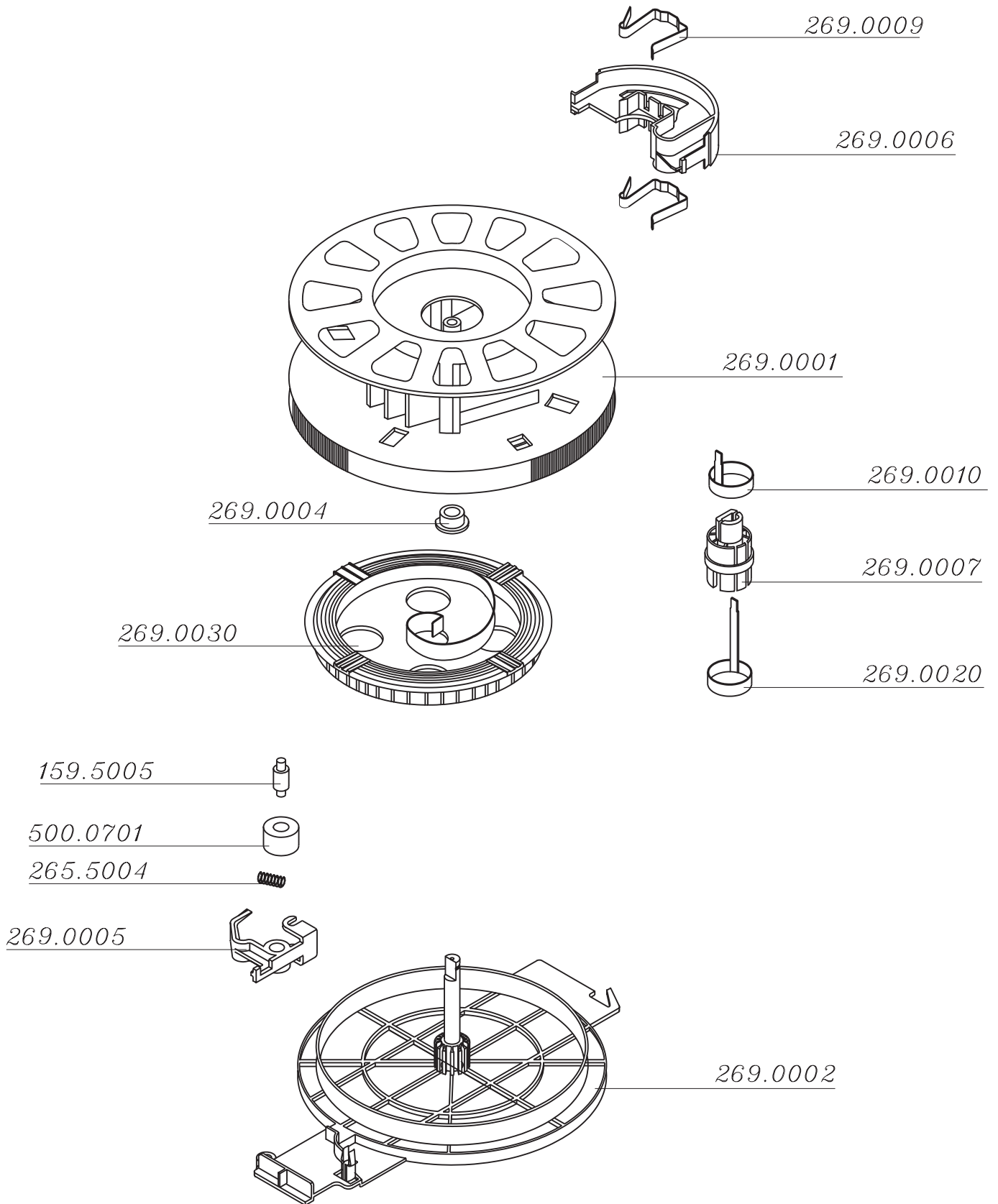
ZELMER HUNGARY



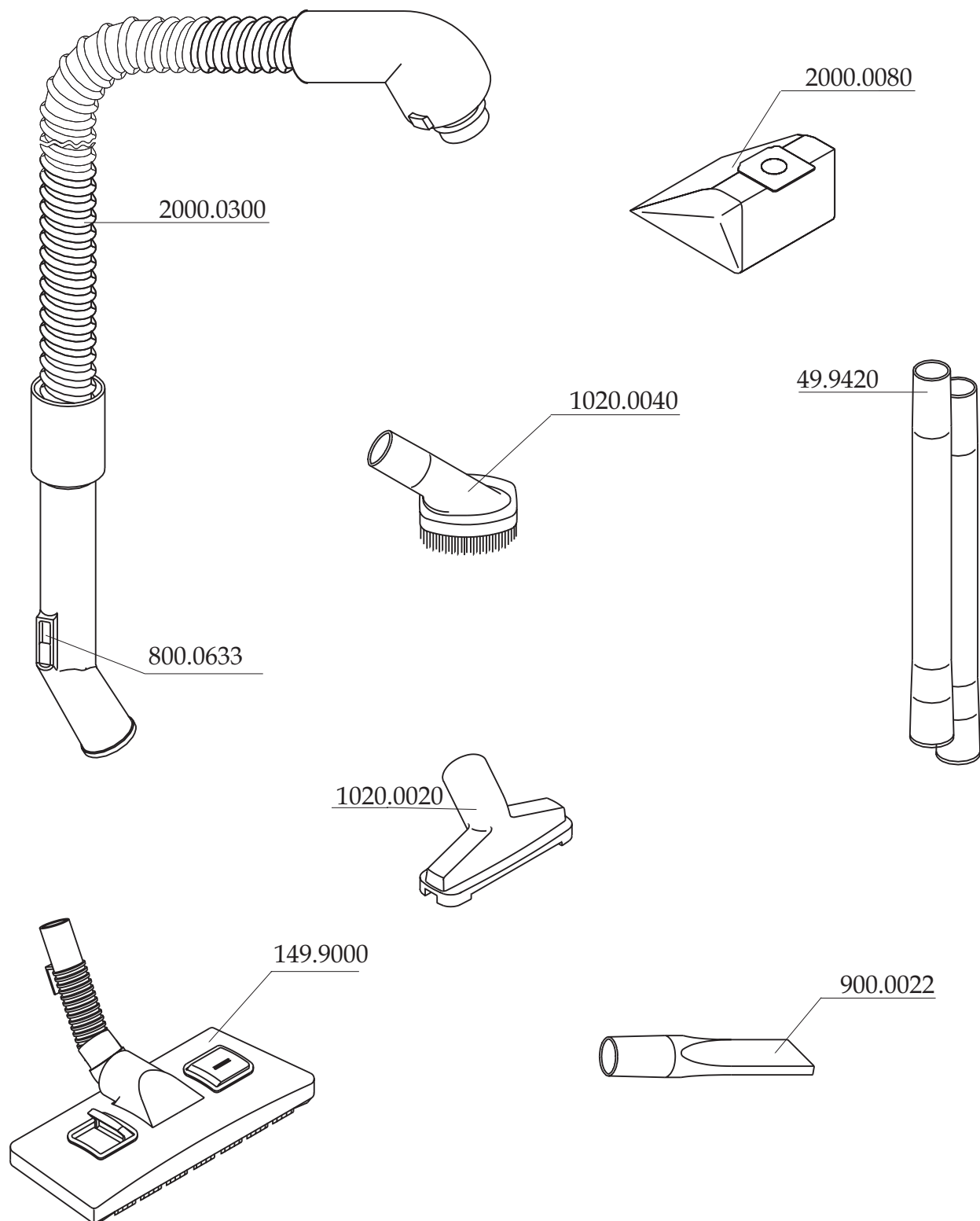
II SUCTION UNIT 305.5000



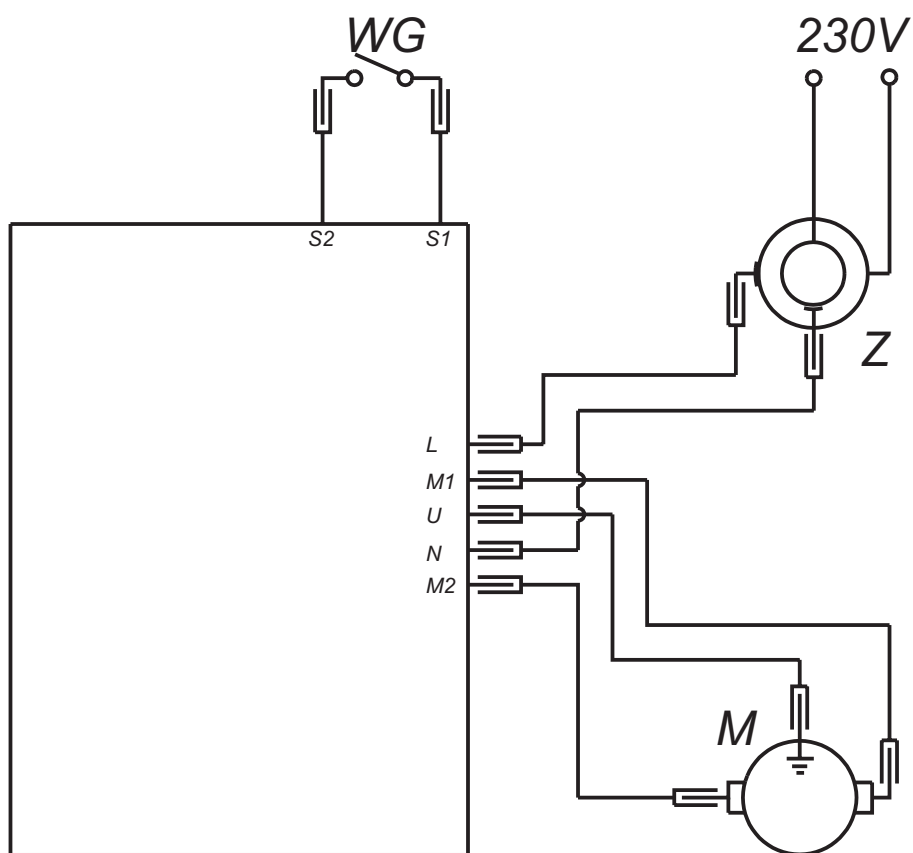
III CORD WINDER 269.0000



IV VACUUM CLEANER ACCESSORIES
ZELMER TYPE 2000.5.01E (GREEN RAL 6005)
ZELMER HUNGARY



**V ELECTRICAL DIAGRAM OF THE VACUUM CLEANER
ZELMER TYPE 2000.5.B01E (GREEN RAL 6005)
ZELMER HUNGARY**



WG -main switch
M -suction unit
Z -cord winder