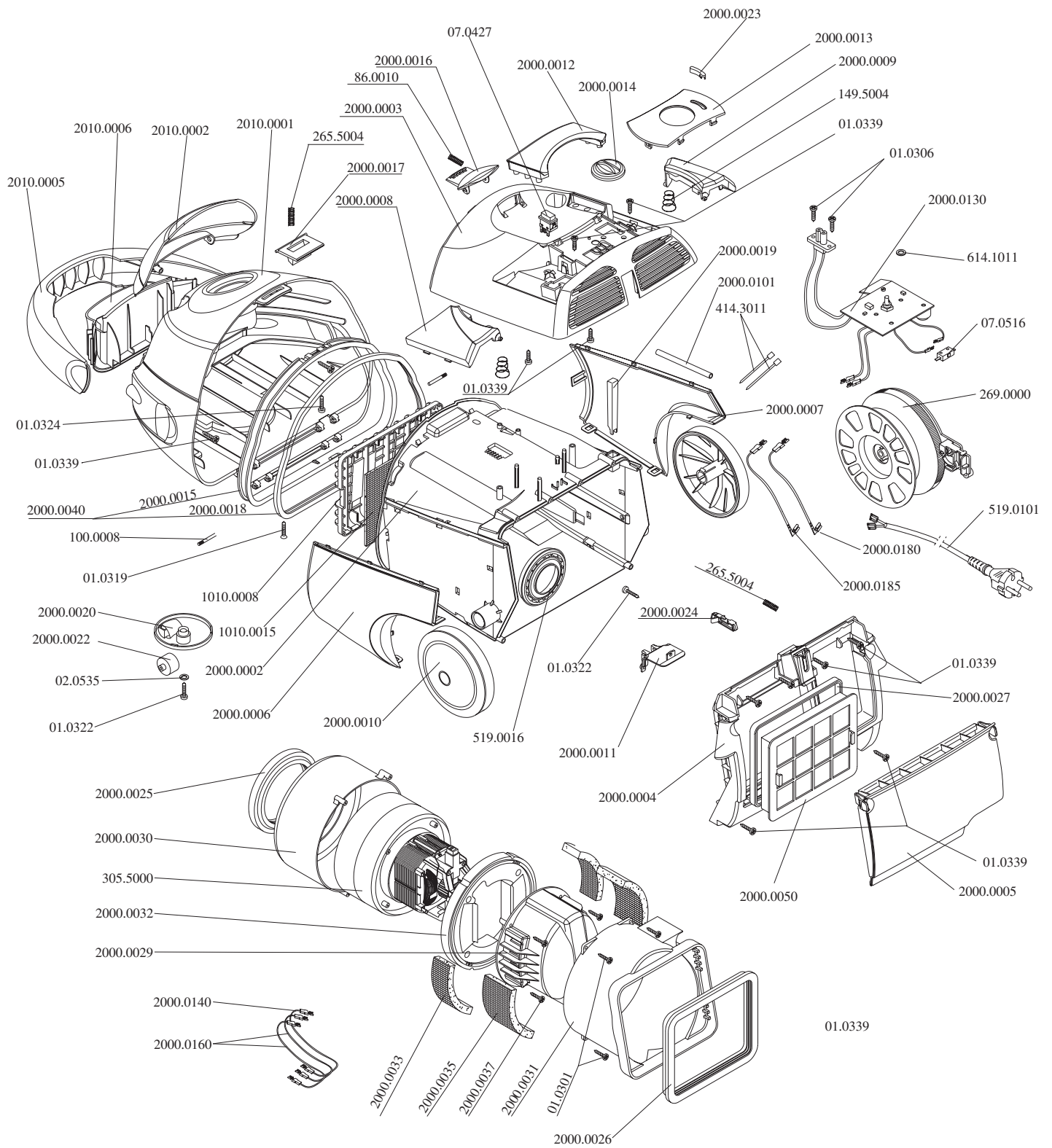
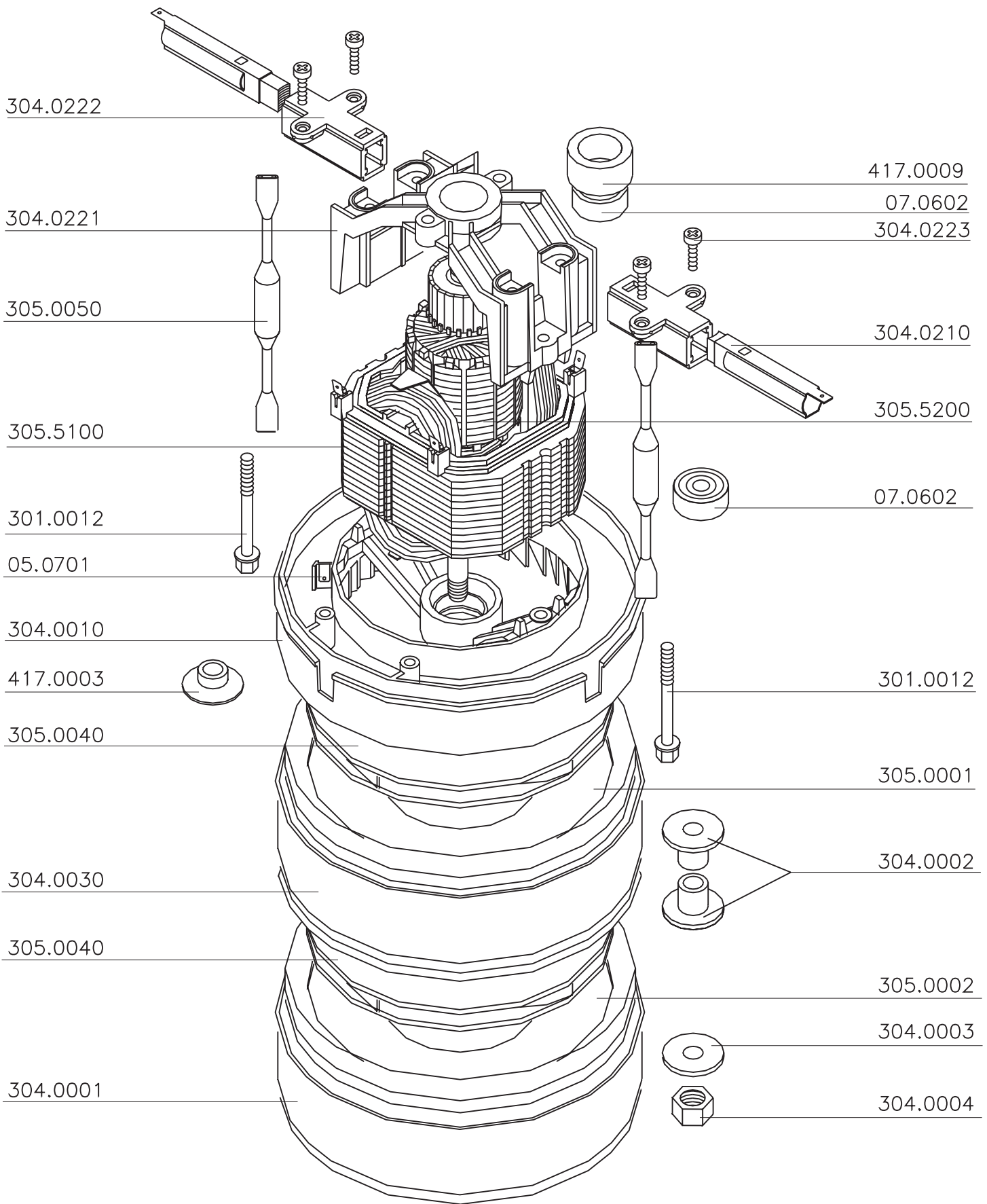


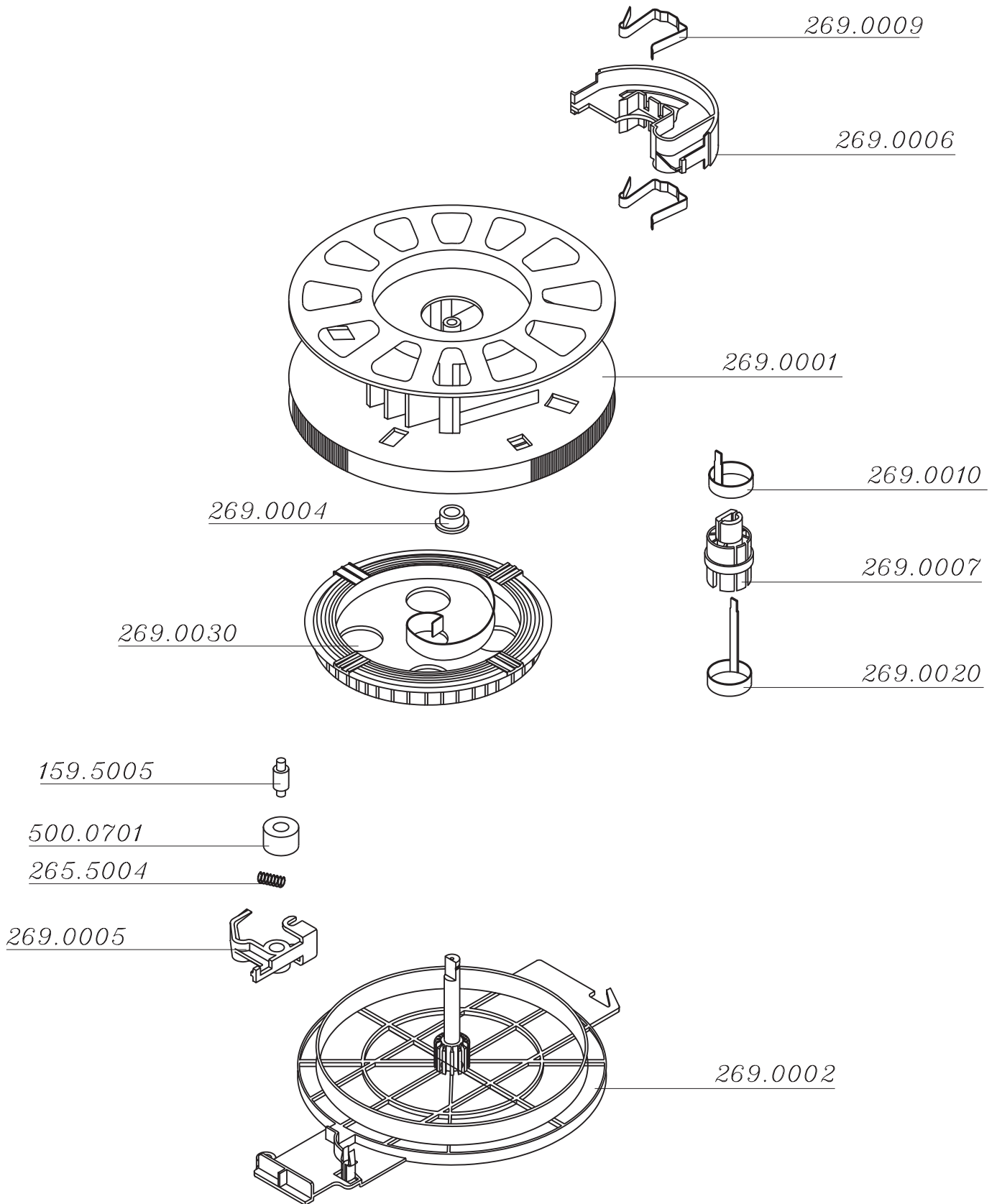
# I VACUUM CLEANER ZELMER TYPE 2010.0.B04S (GREEN METALLIC) ZELMER HUNGARY



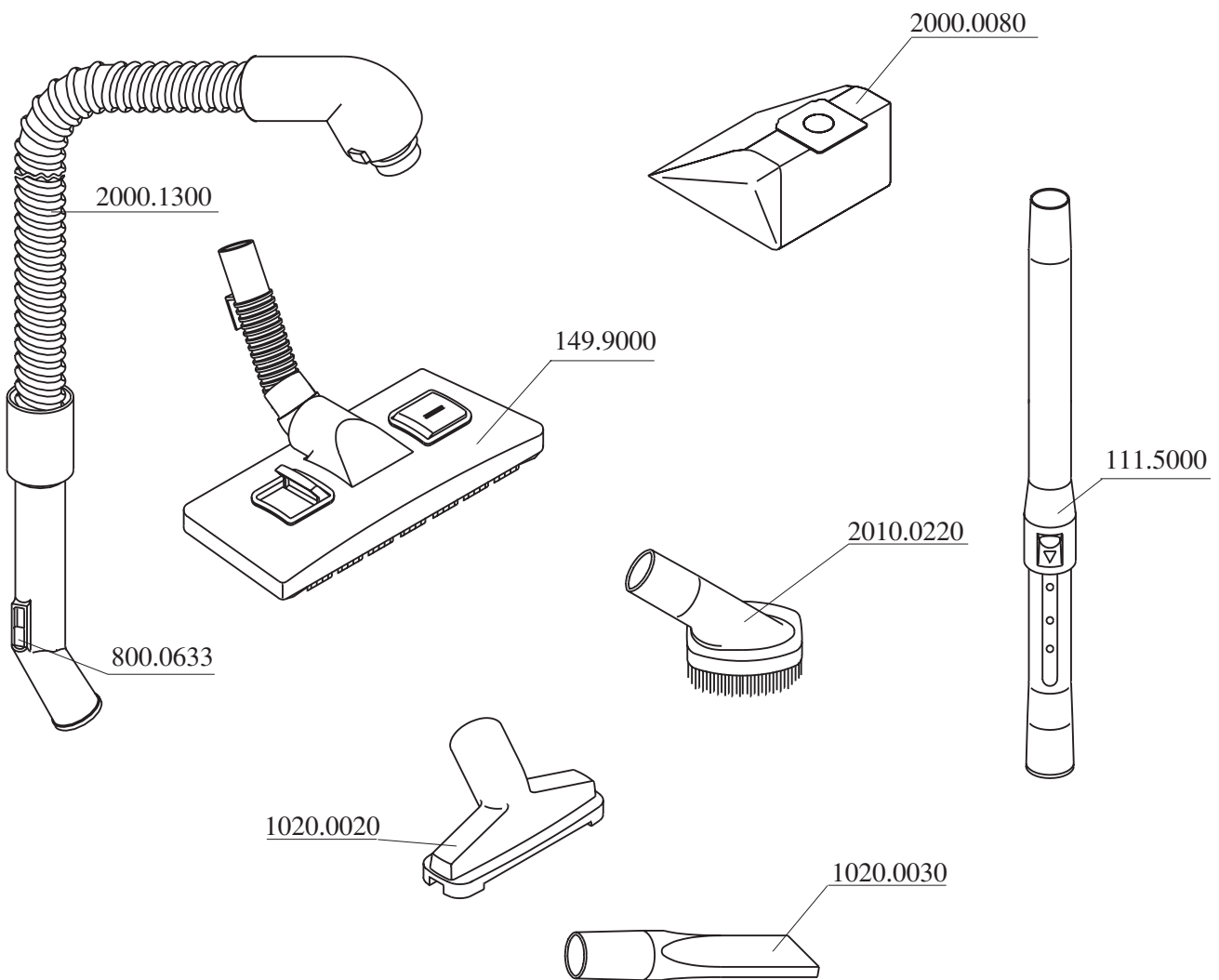
## II SUCTION UNIT 305.5000



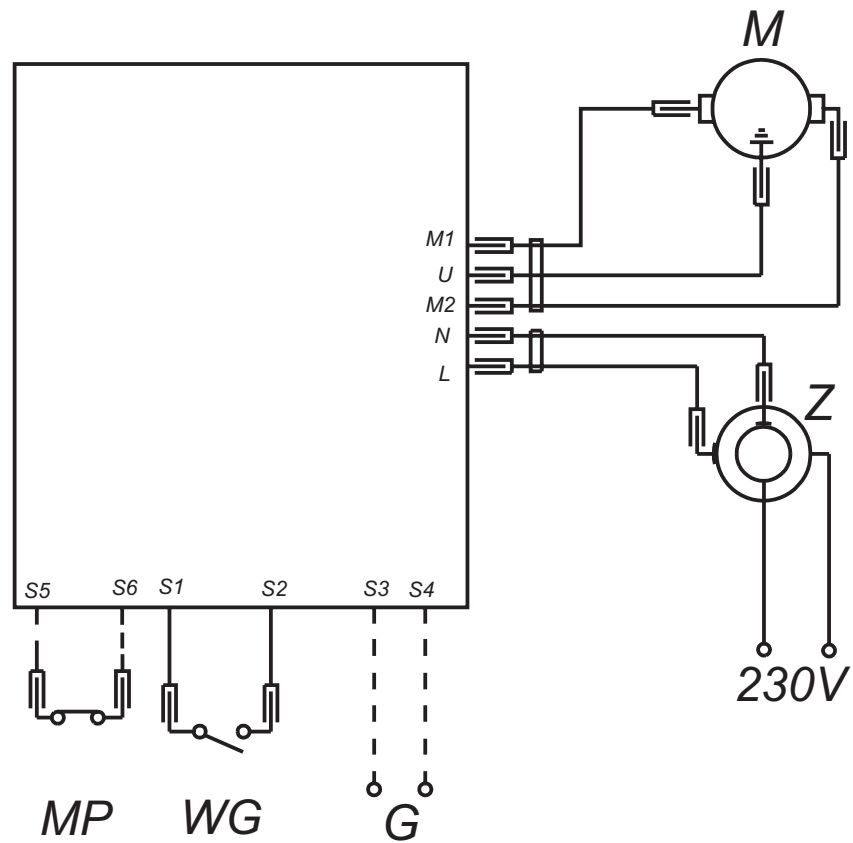
### III CORD WINDER 269.0000



**IV VACUUM CLEANER ACCESSORIES**  
**ZELMER TYPE 2010.0.B04S (GREEN METALLIC)**  
**ZELMER HUNGARY**



# V ELECTRICAL DIAGRAM OF THE VACUUM CLEANER ZELMER TYPE 2010.0.B04S (GREEN METALLIC) ZELMER HUNGARY



- M -suction unit
- MP -parksystem microswitch
- WG -main switch
- Z -cord winder
- G - electrobrush - socket