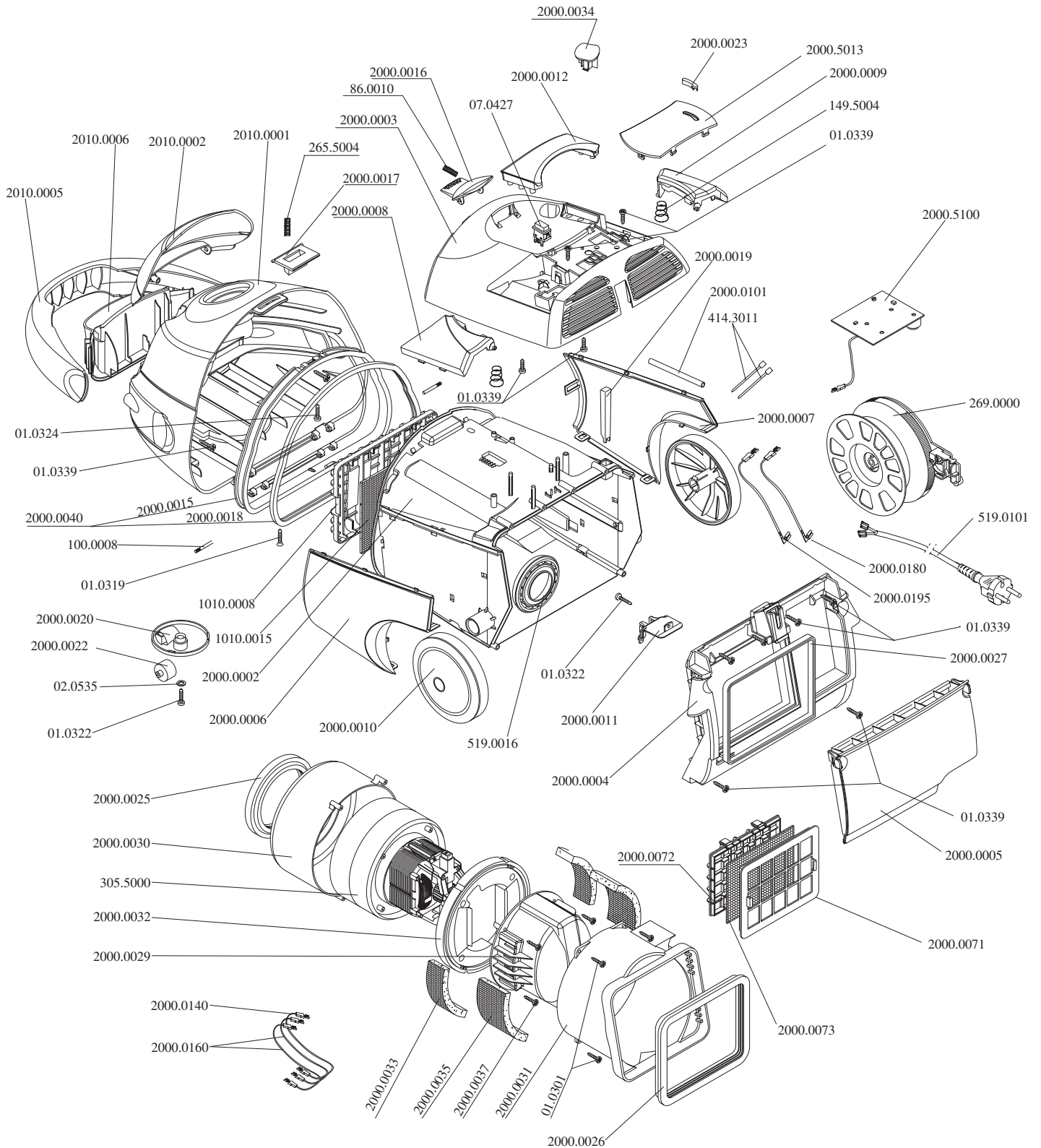
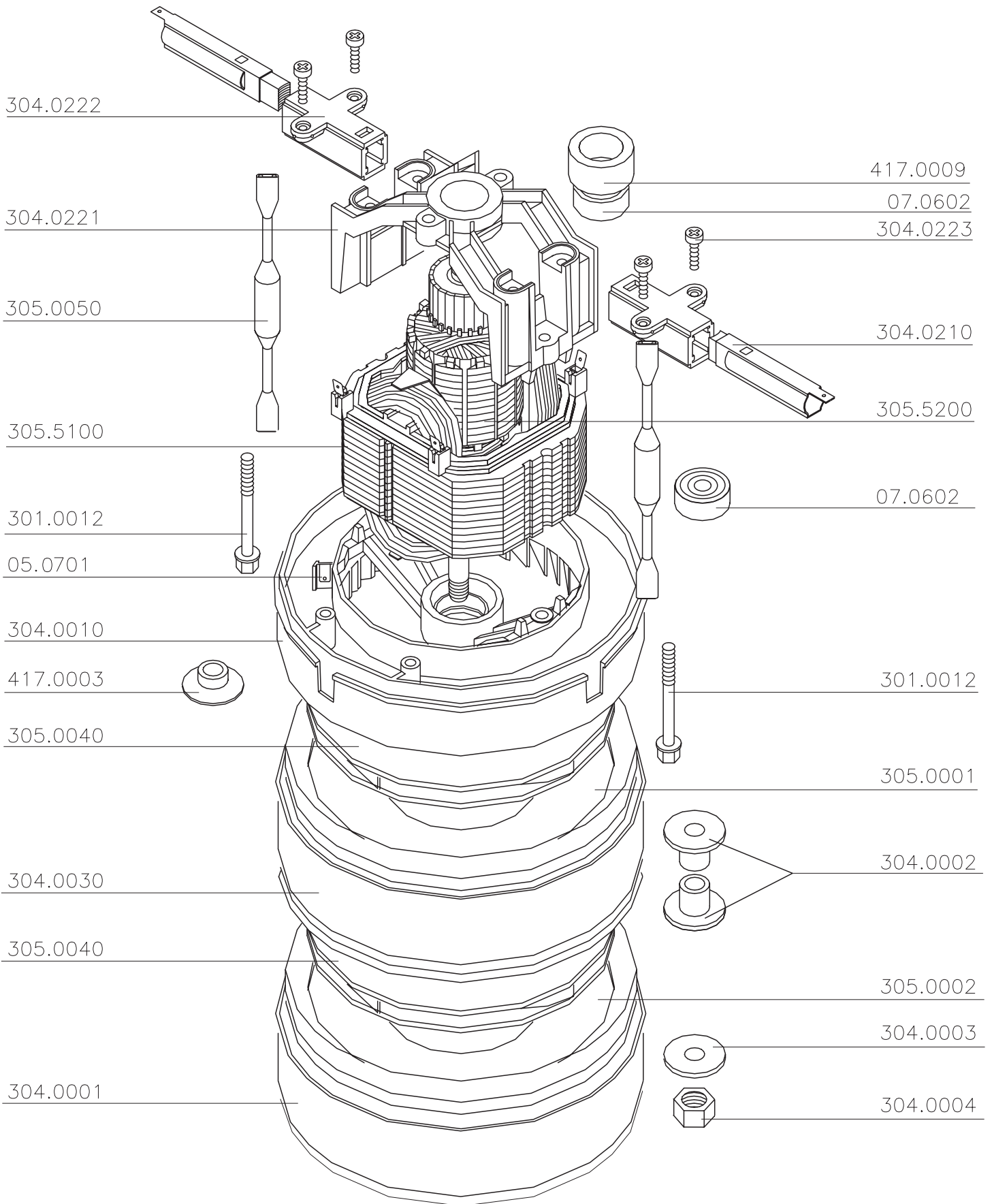


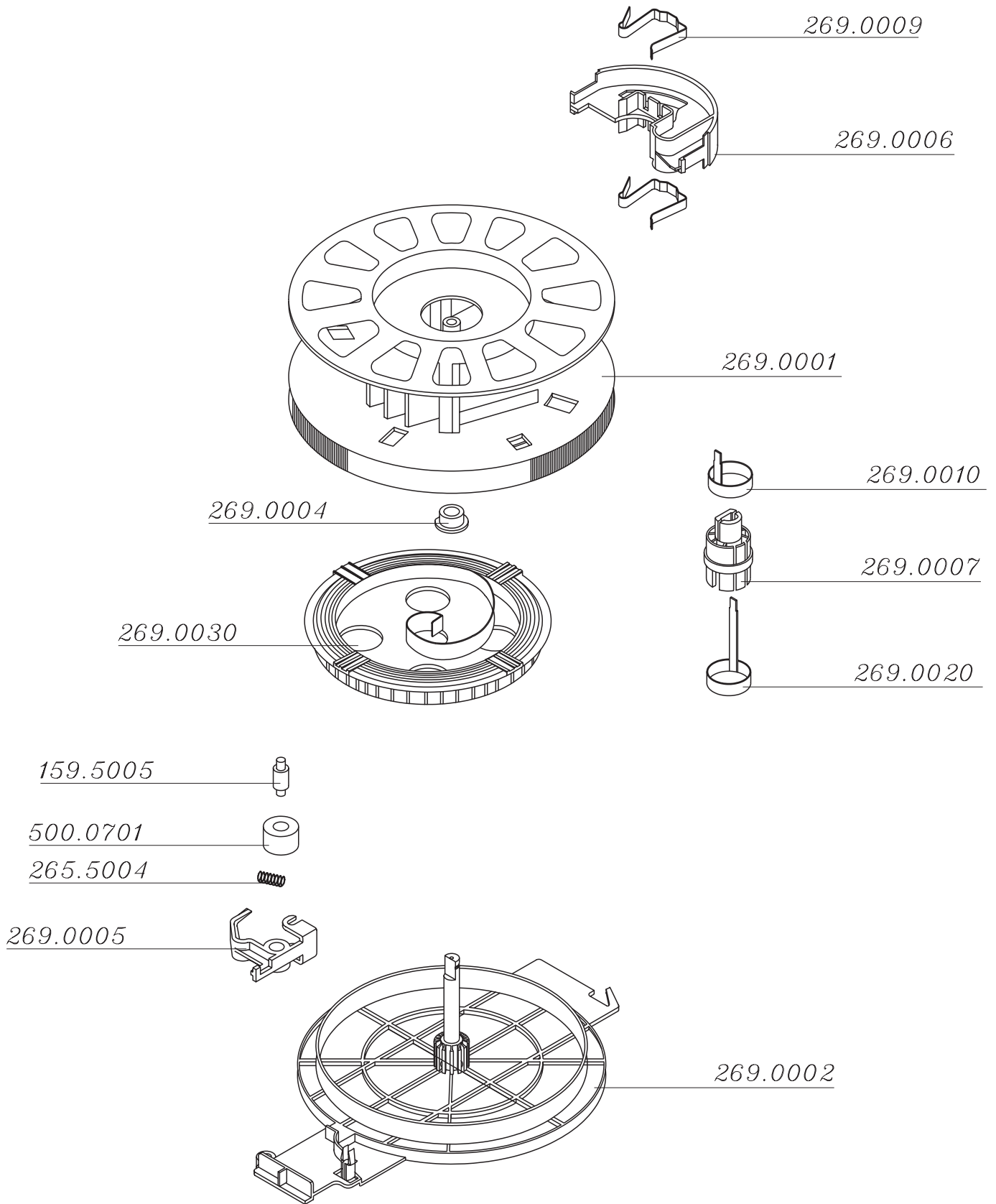
I VACUUM CLEANER ZELMER TYPE 2010.5.B01E (RED METALLIC) ZELMER HUNGARY



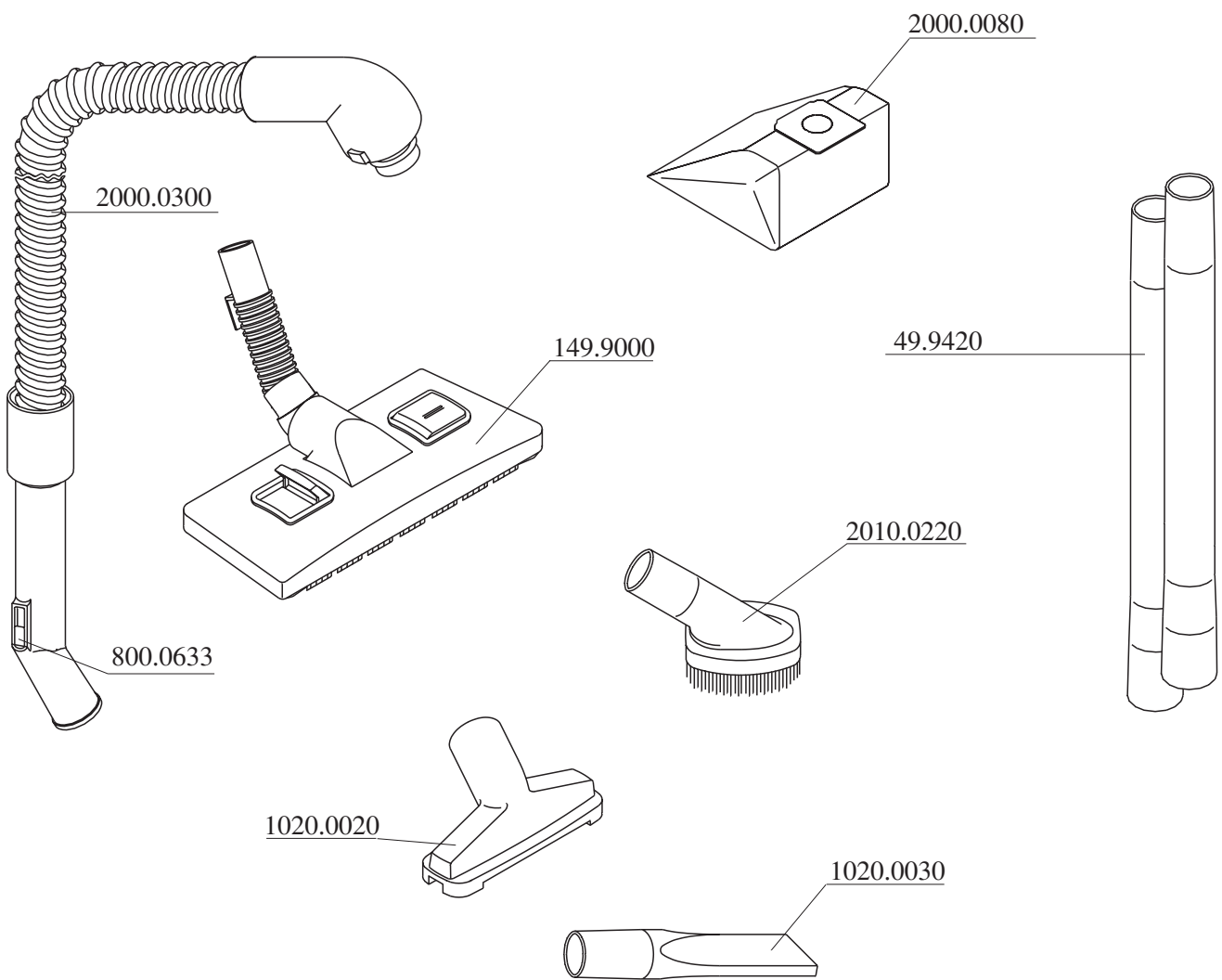
II SUCTION UNIT 305.5000



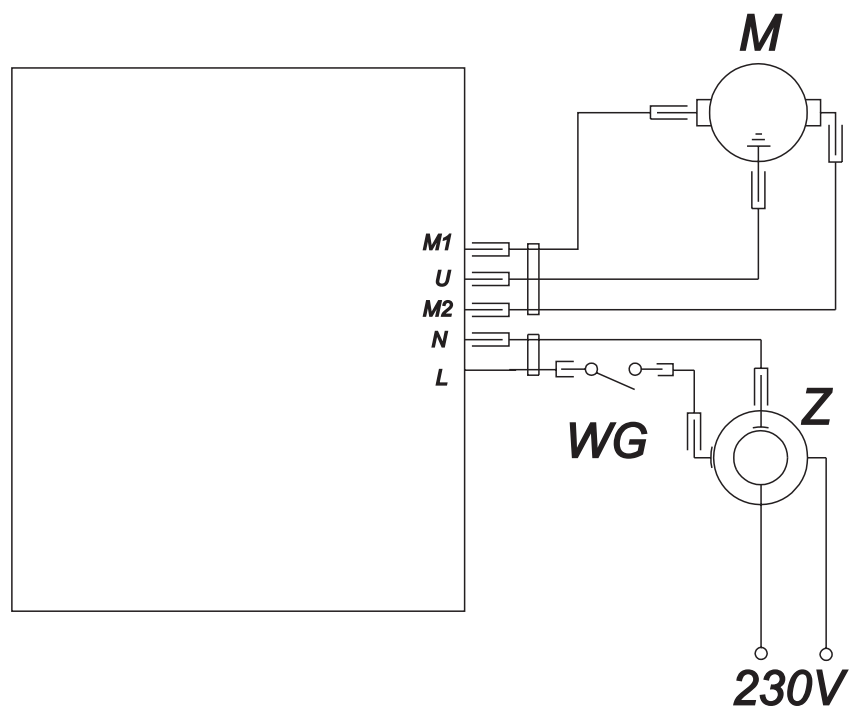
III CORD WINDER 269.0000



IV VACUUM CLEANER ACCESSORIES
ZELMER TYPE 2010.5.B01E (RED METALLIC)
ZELMER HUNGARY



V ELECTRICAL DIAGRAM OF THE VACUUM CLEANER ZELMER TYPE 2010.5.B01E ZELMER HUNGARY



- M -suction unit
- WG -main switch
- Z -cord winder