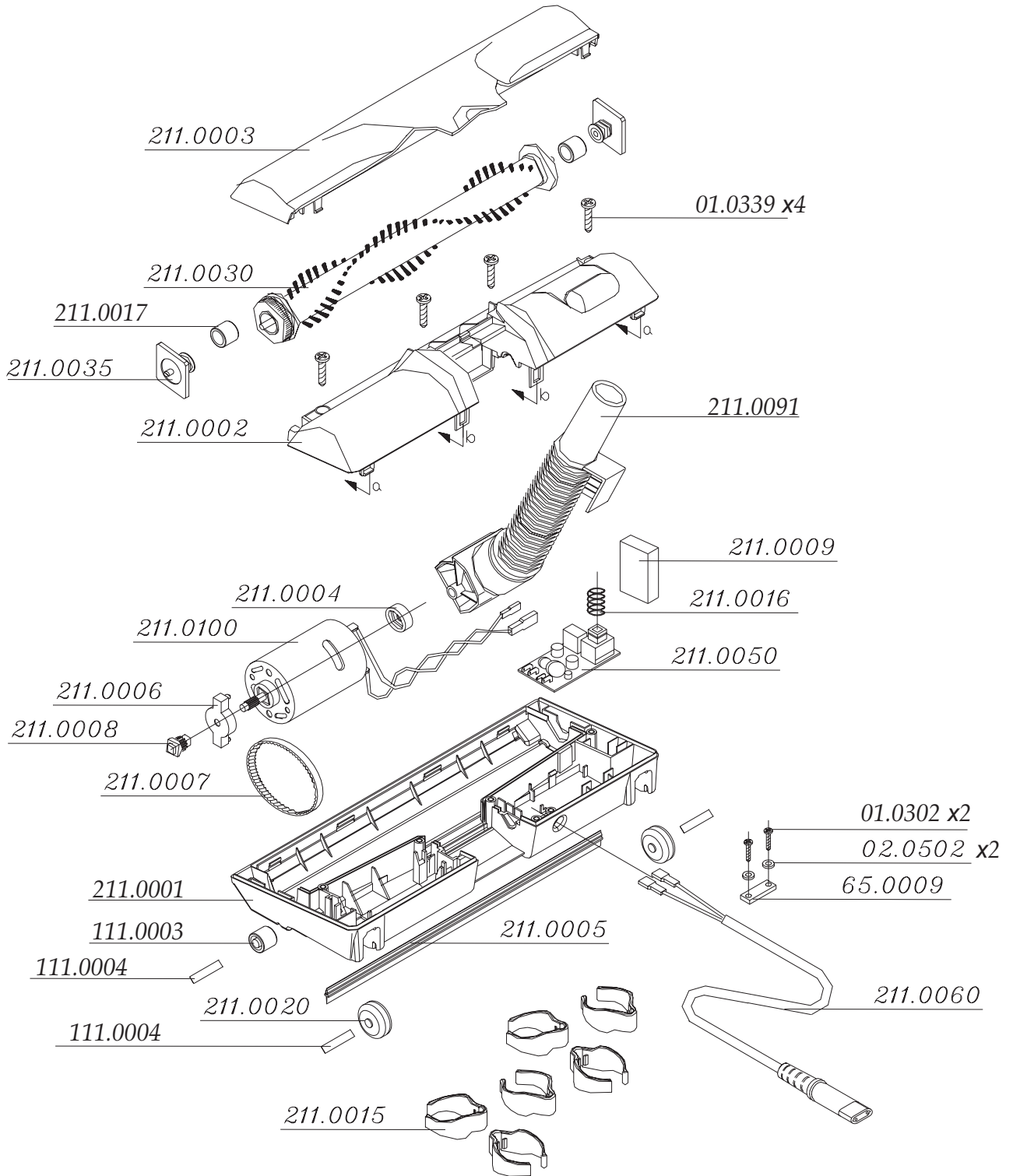
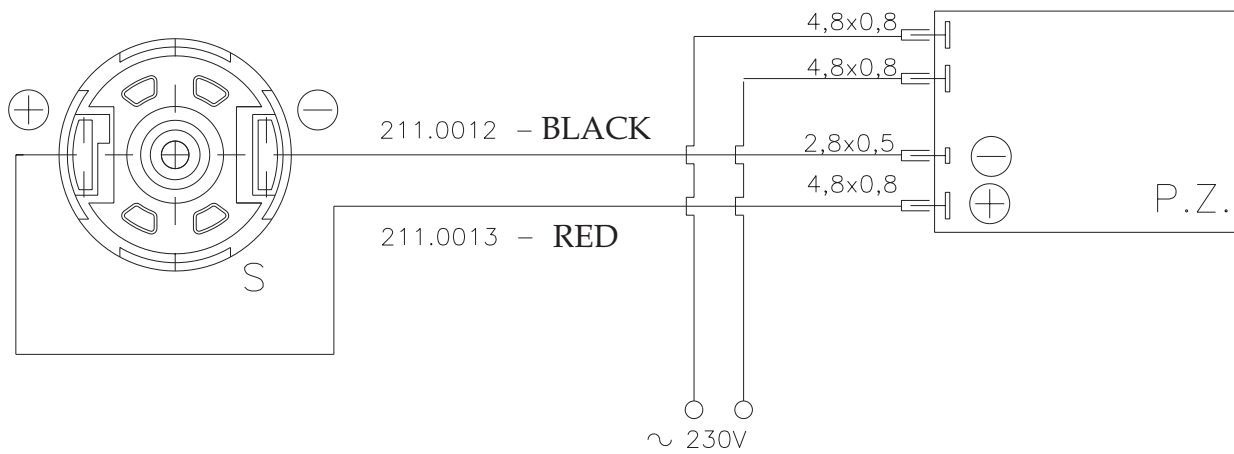


# I ELECTROBRUSH TYPE 211.0/HUNGARY



## II ELECTRICAL DIAGRAM OF THE ELECTROBRUSH TYPE 211.0/HUNGARY



PS -P.C.B.  
M -MOTOR