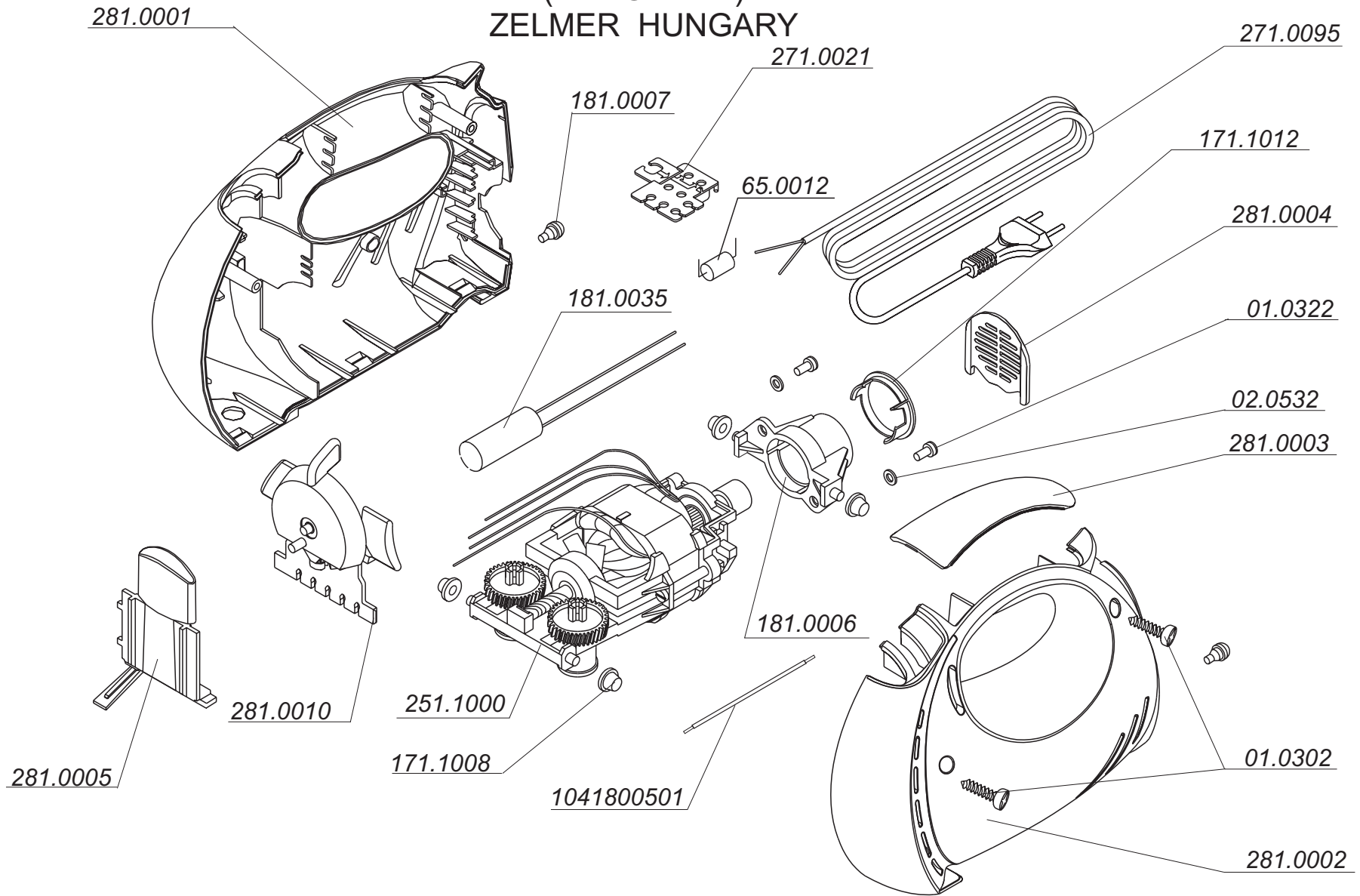
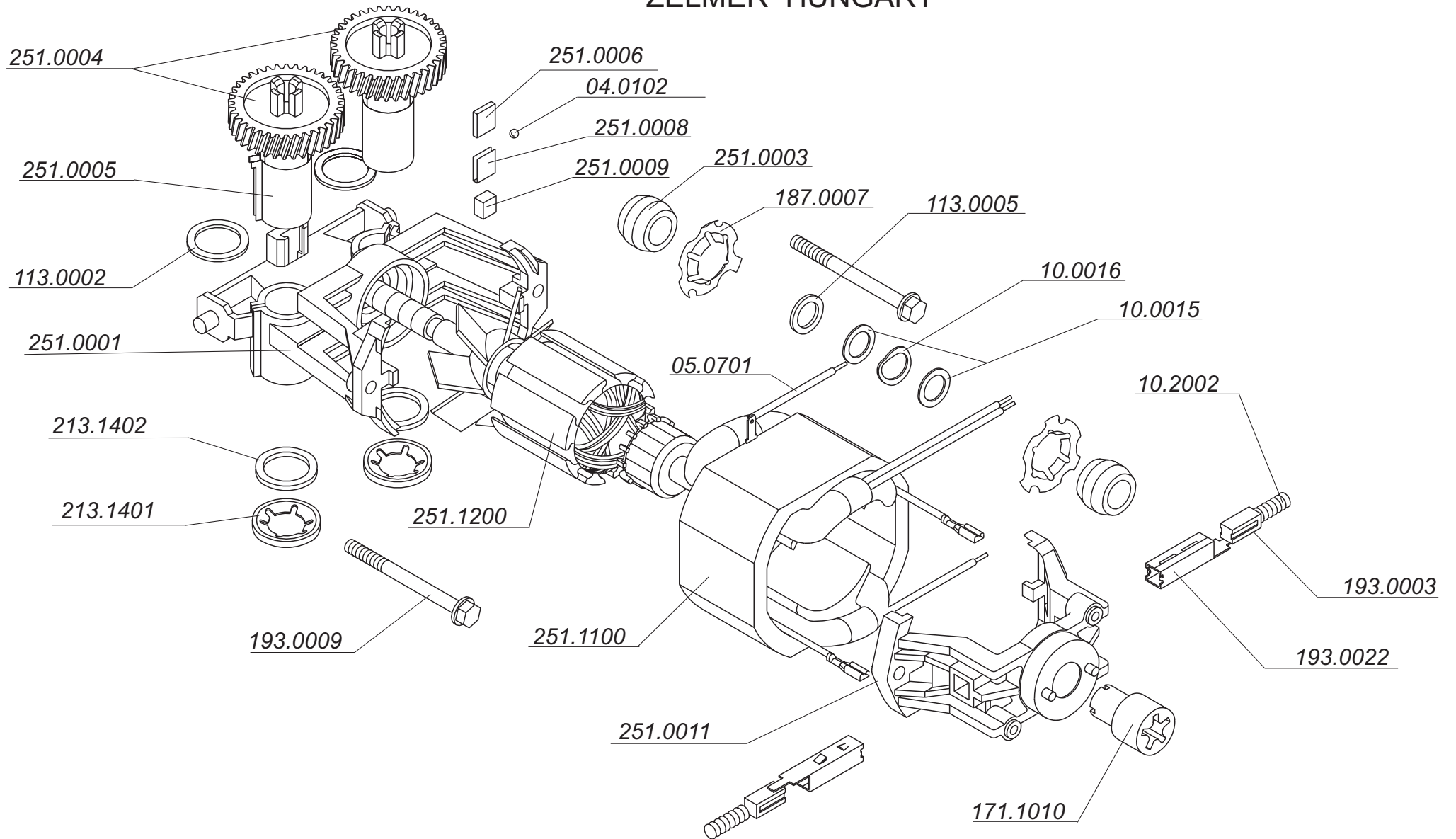


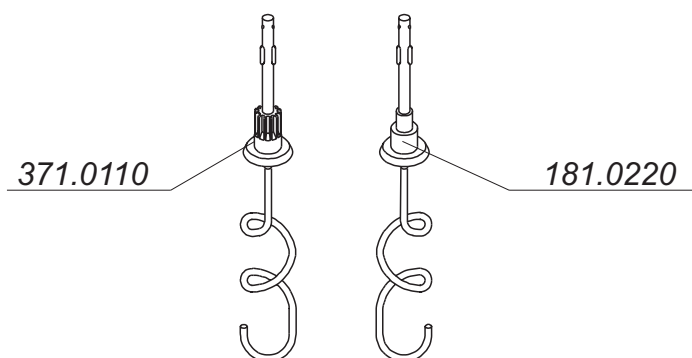
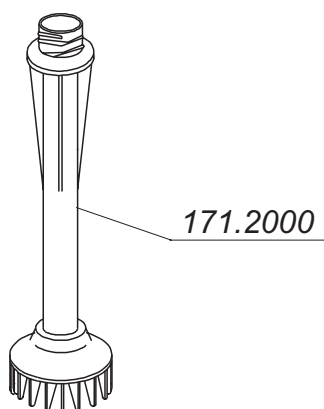
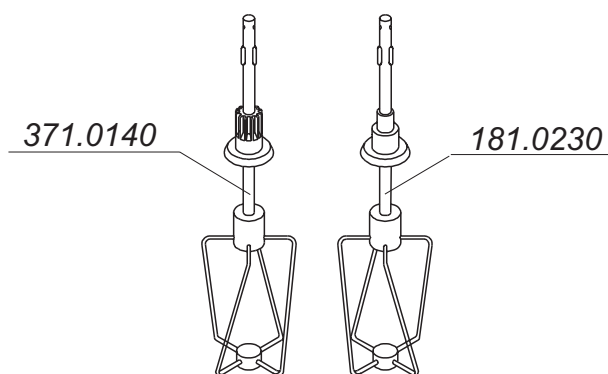
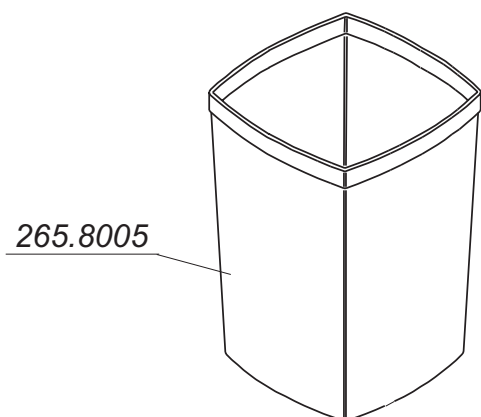
**MIXER 281.5 - DRIVE UNIT  
(LAPIS LINE)  
ZELMER HUNGARY**



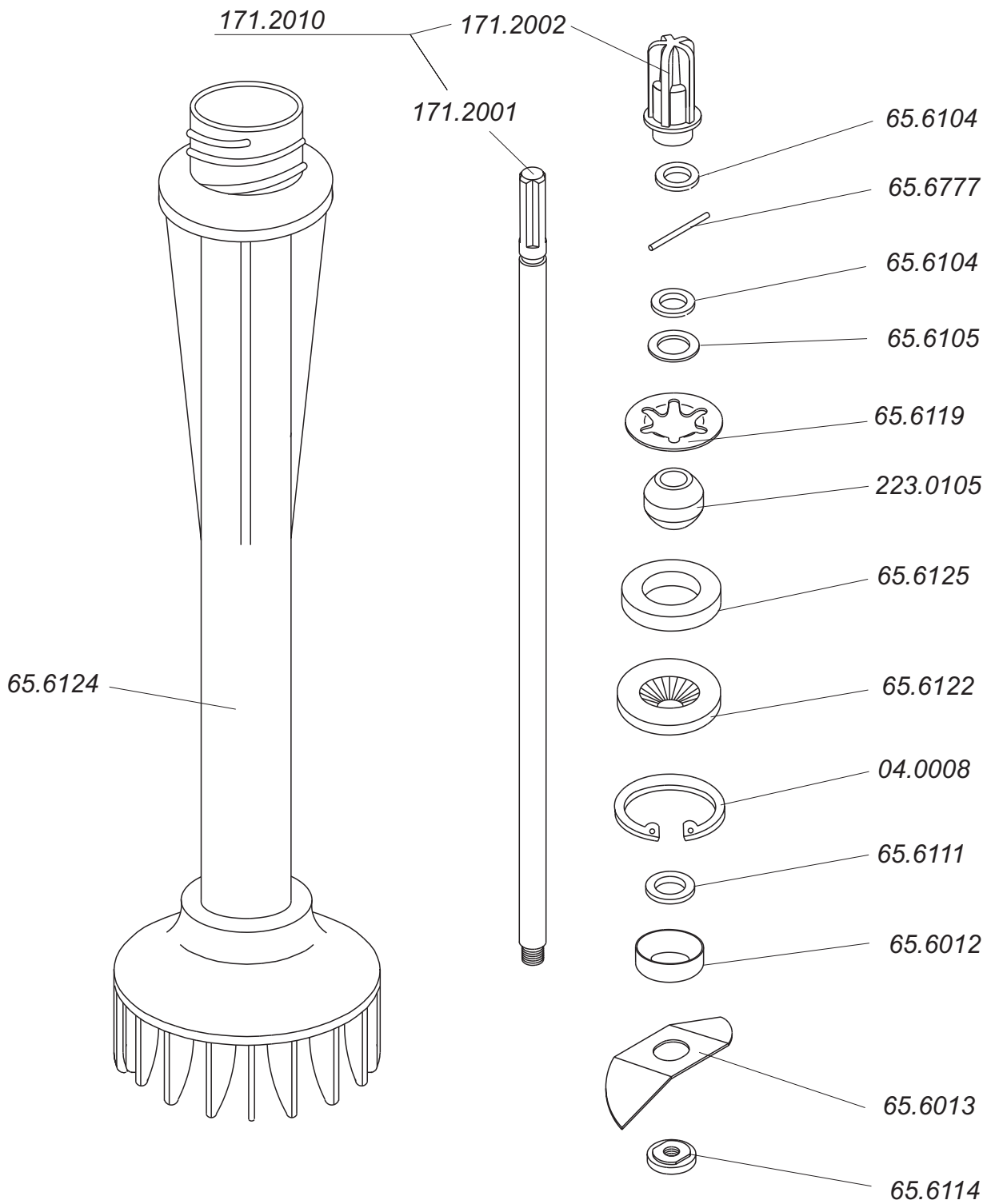
# || MIXER 281.5 - MOTOR 251.1000 ZELMER HUNGARY



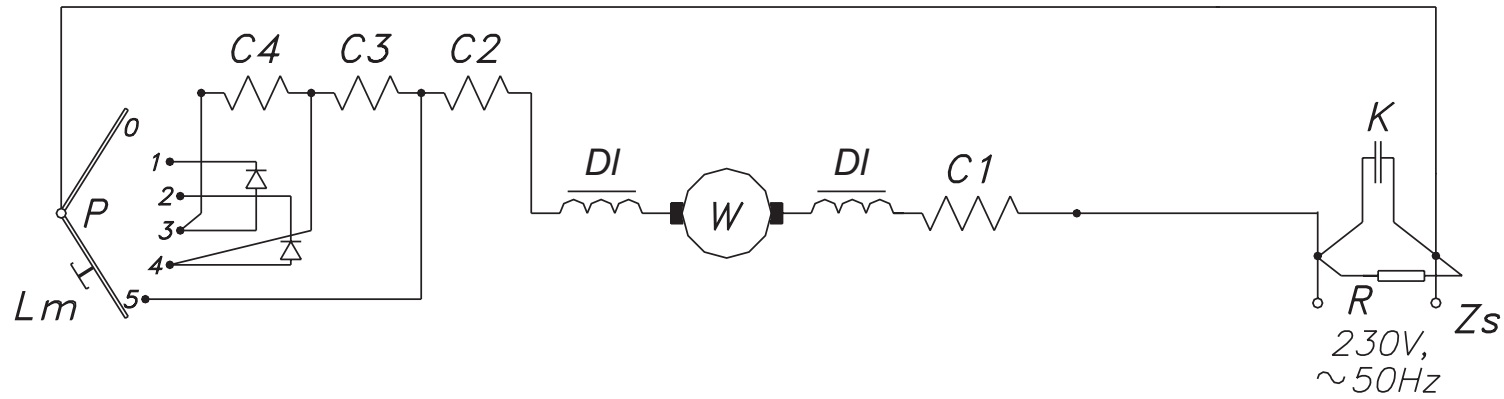
# III MIXER 281.5 - ACCESSORIES ZELMER HUNGARY



# IV MIXER 281.5 - ACCESSORIES - 171.2000 ZELMER HUNGARY



# V MIXER TYPE 281.5 - ELECTRIC DIAGRAM ZELMER HUNGARY



*W* - rotor  
*K* - capacitor  
*R* - resistor 1 MΩ  
*C1* - *C4* - stator coils  
*Lm* - turbo switch  
*Zs* - special joint  
*P* - switch  
*DI* - choke