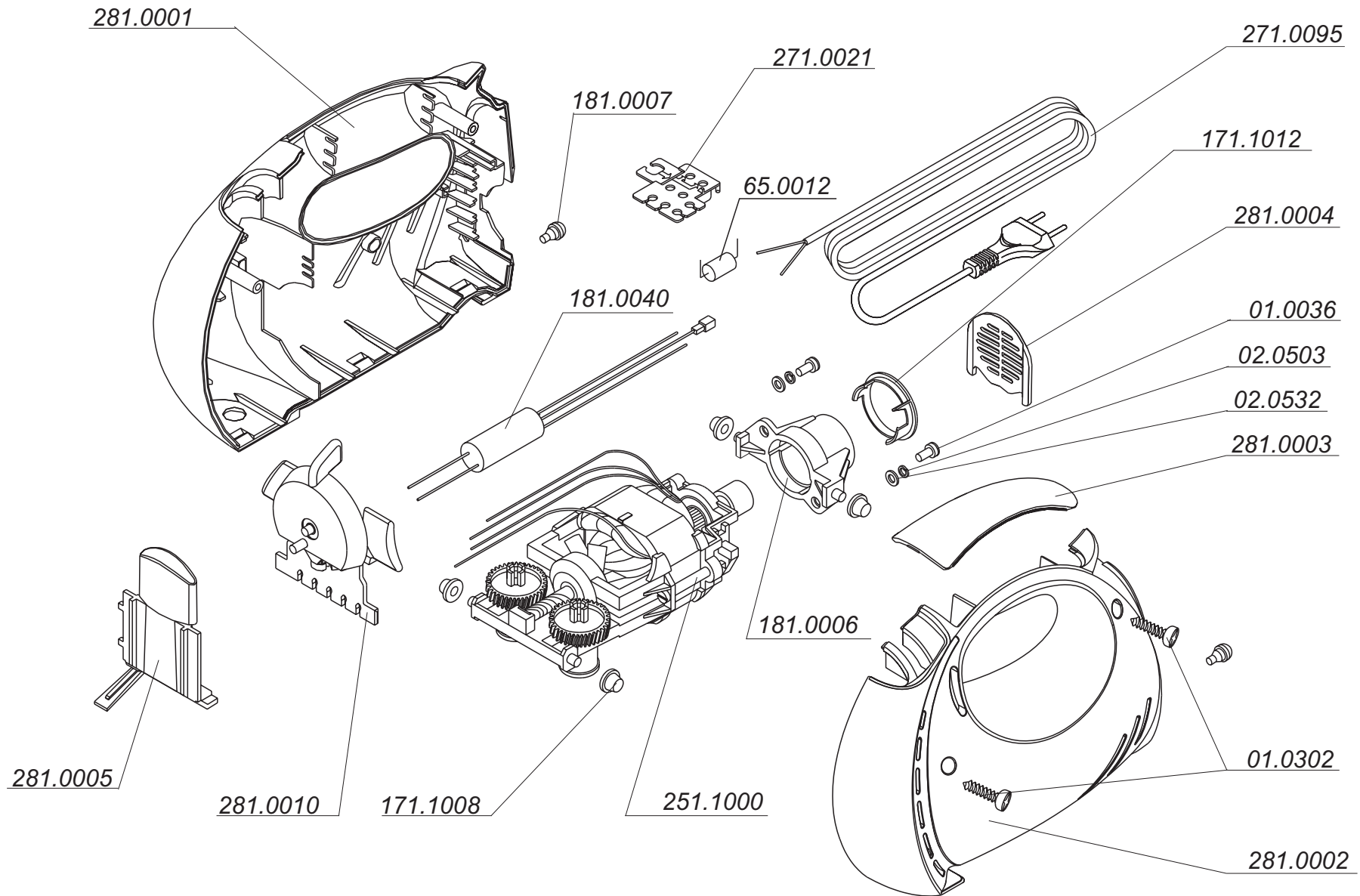
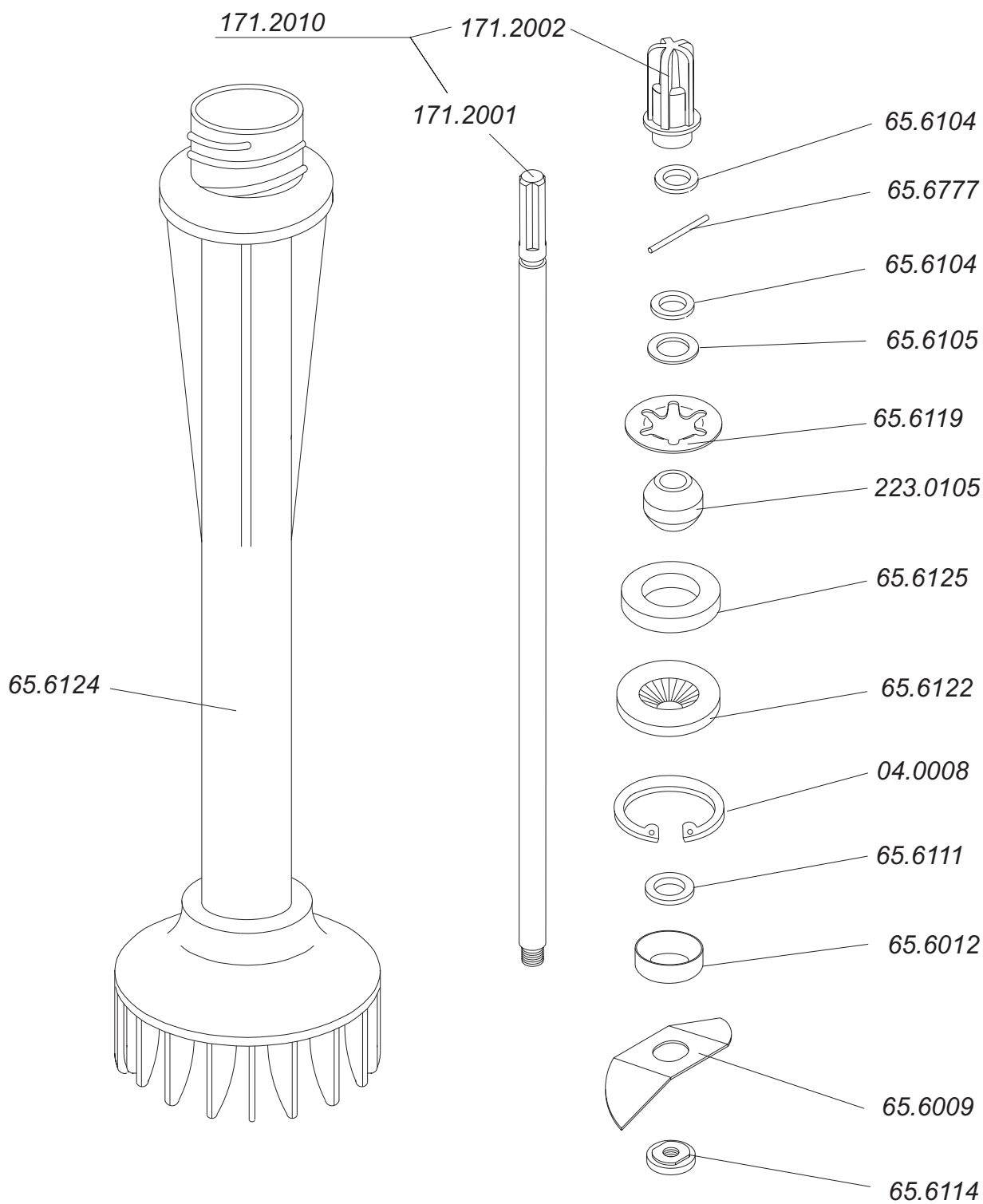



MIXER 281.6 - DRIVE UNIT ZELMER HUNGARY

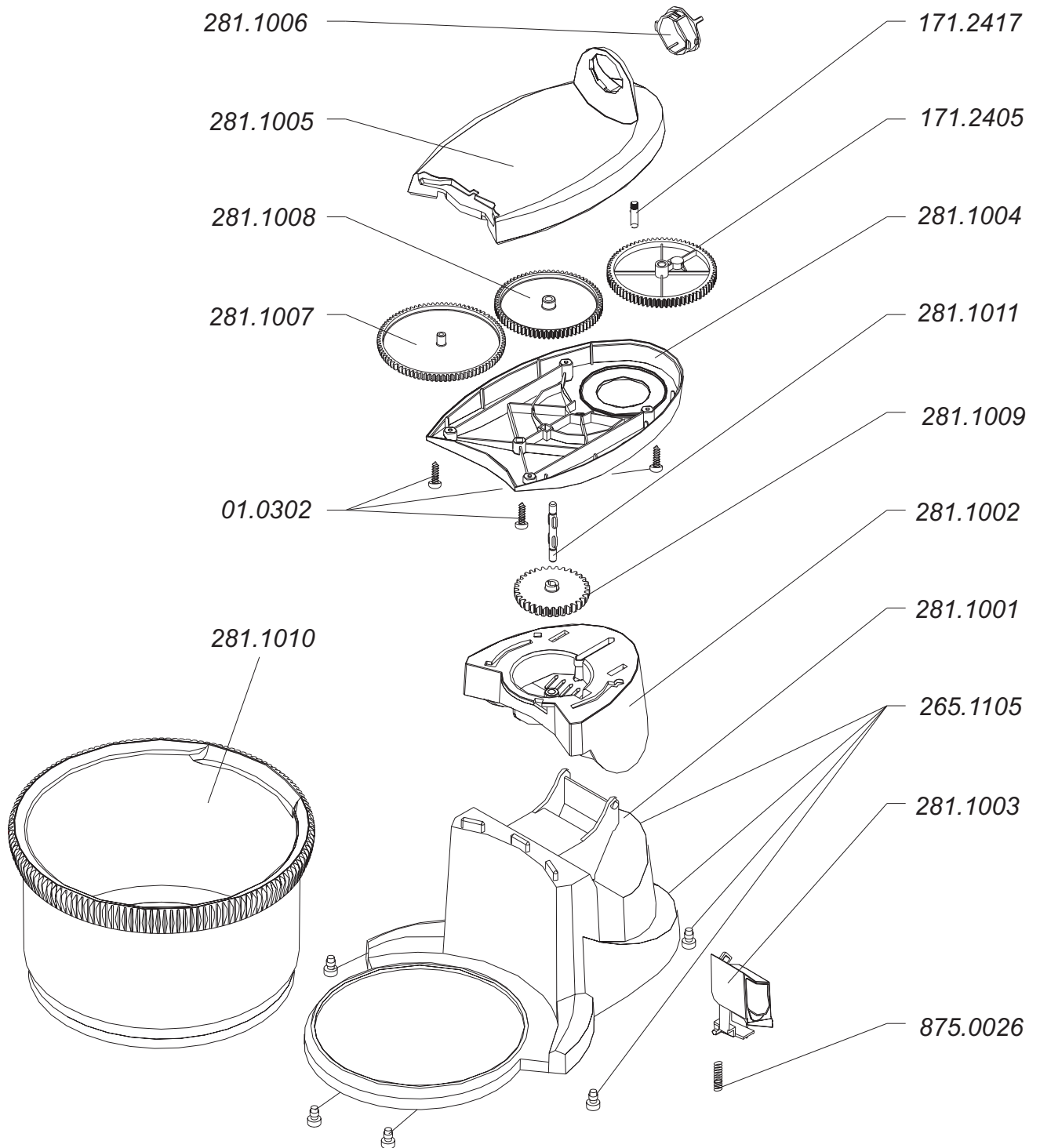


|| MIXER 281.6 - ACCESSORIES 171.2000

ZELMER HUNGARY

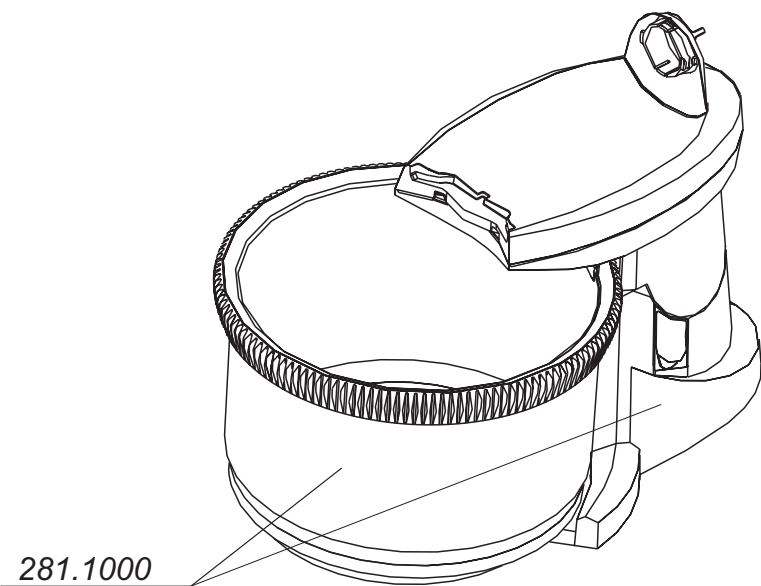
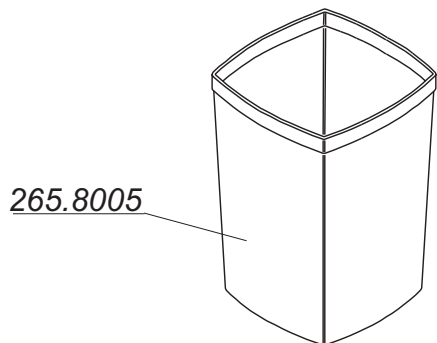
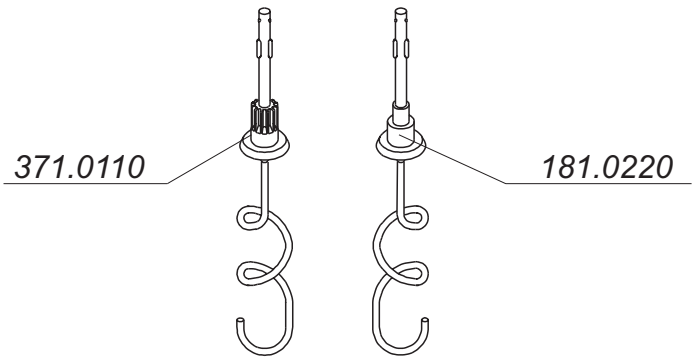
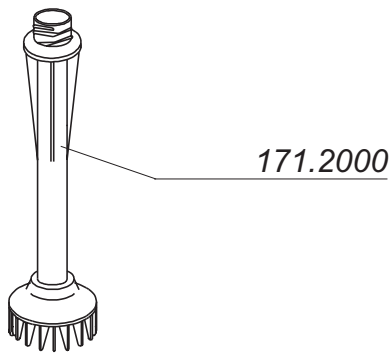
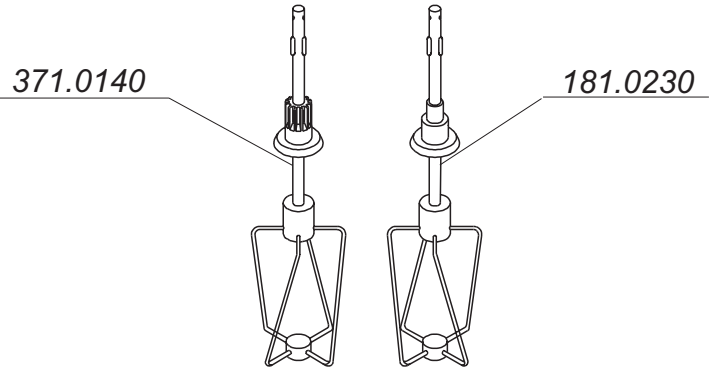
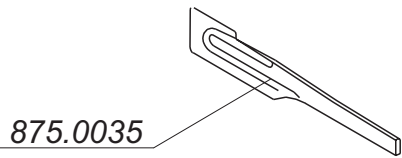



MIXER 281.6 - ACCESSORIES 281.1000
ZELMER HUNGARY



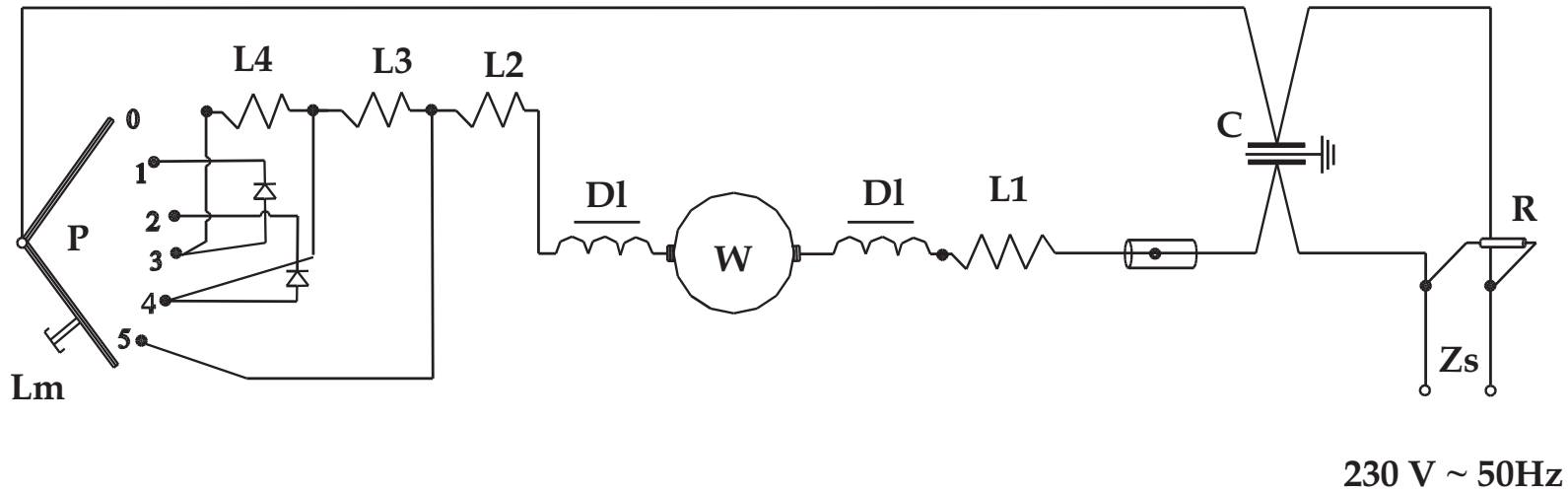
IV MIXER 281.6 - ACCESSORIES

ZELMER HUNGARY



V MIXER TYPE 281.6 - ELECTRIC DIAGRAM

ZELMER HUNGARY



- W - rotor
- C - capacitor
- R - resistor 1 M
- L1-L4 - stator coils
- Lm - turbo switch
- Zs - special joint
- P - switch
- Dl - choke