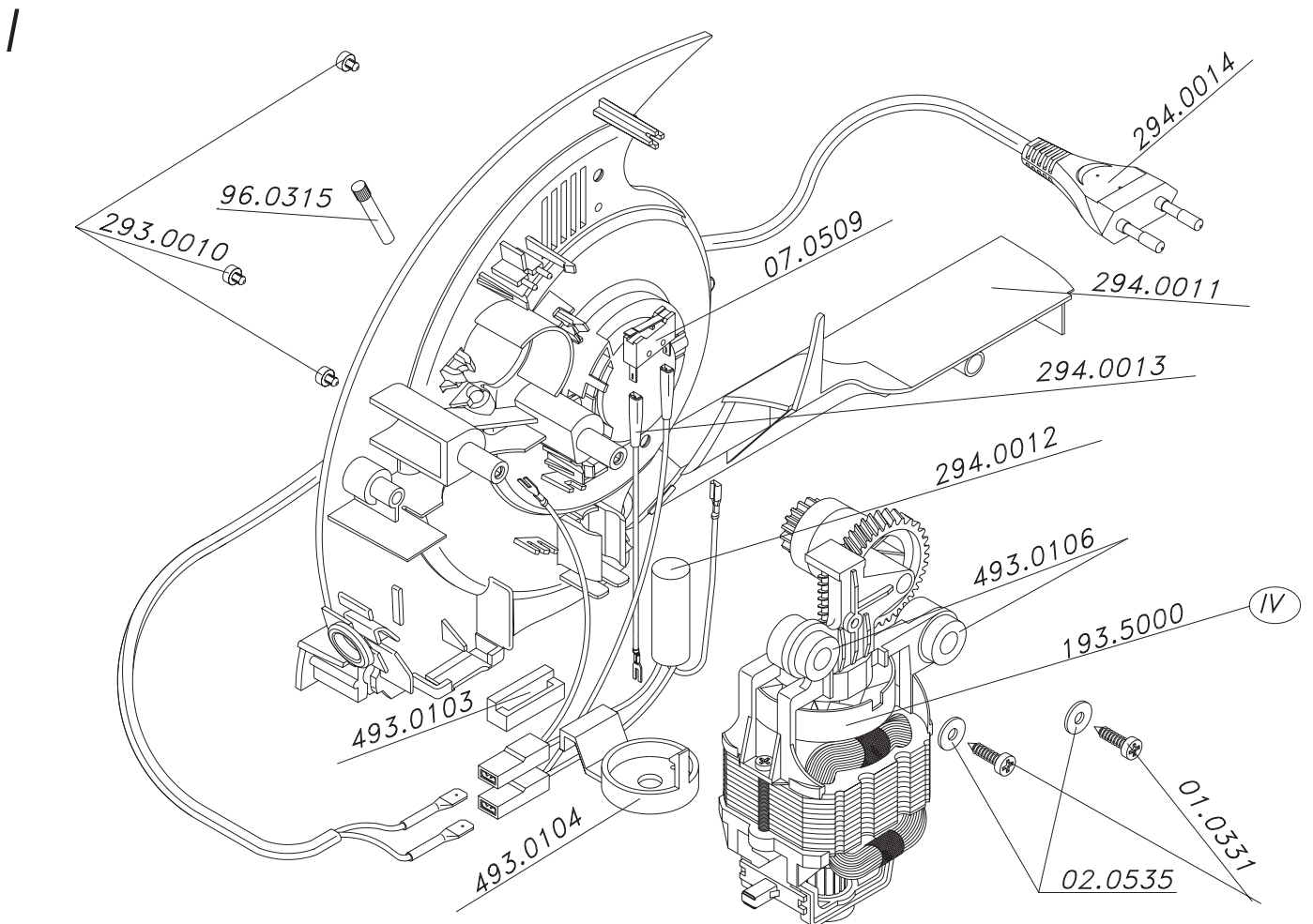
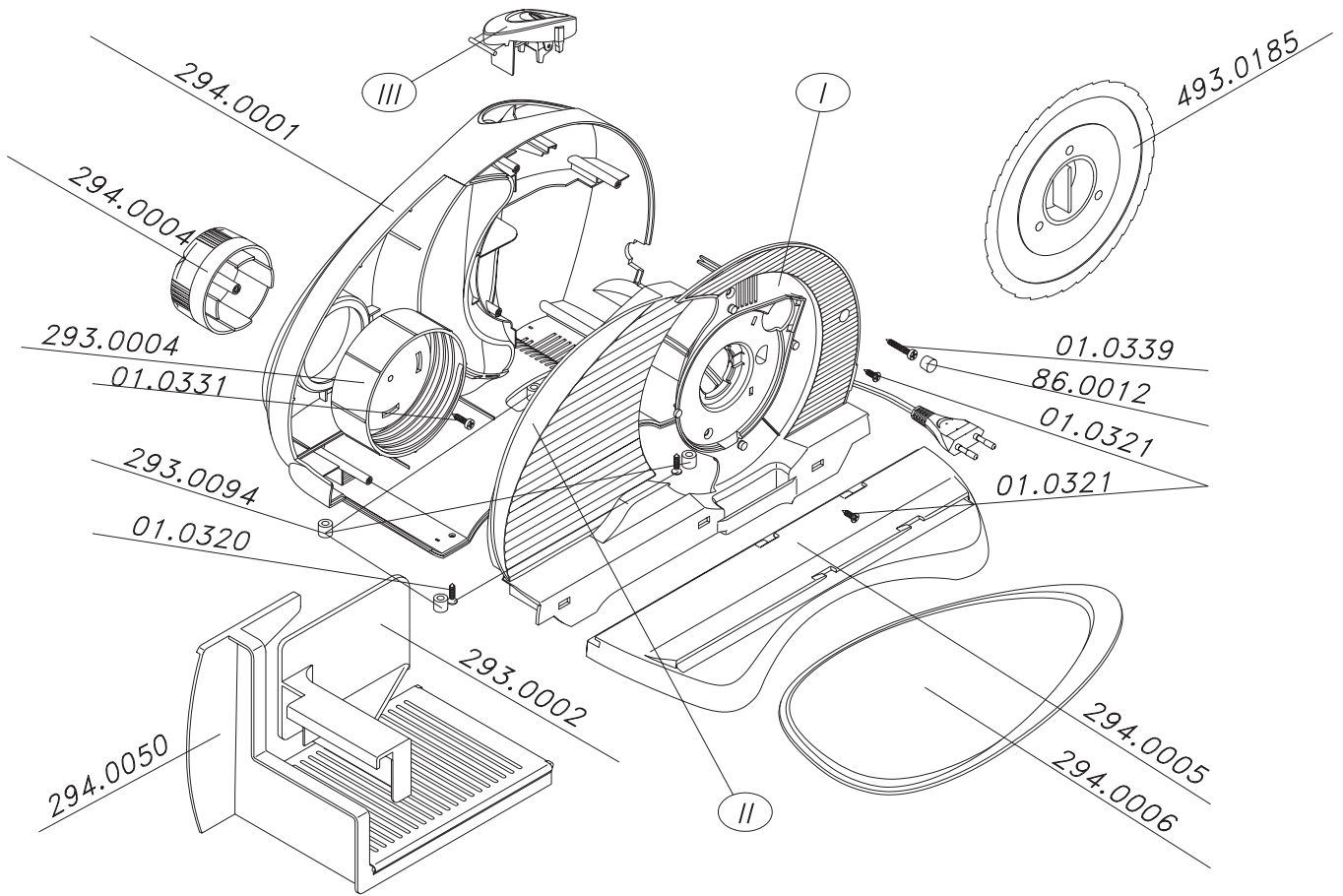
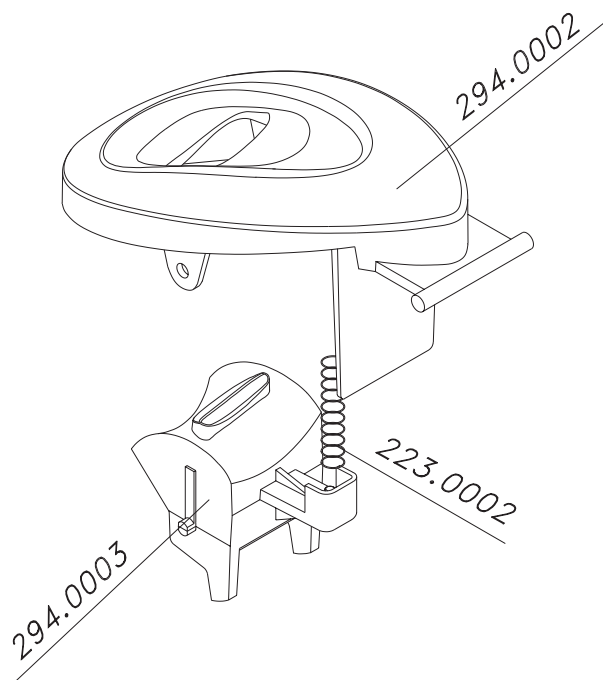


I ELECTRIC SLICER TYPE 294 / ZELMER HUNGARY

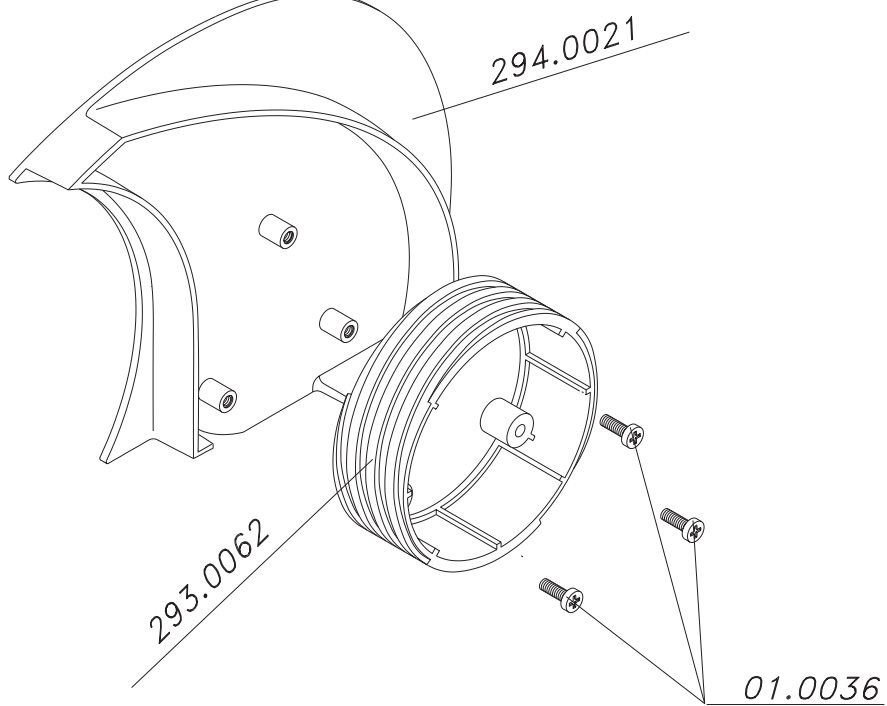


II ELECTRIC SLICER TYPE 294 / ZELMER HUNGARY

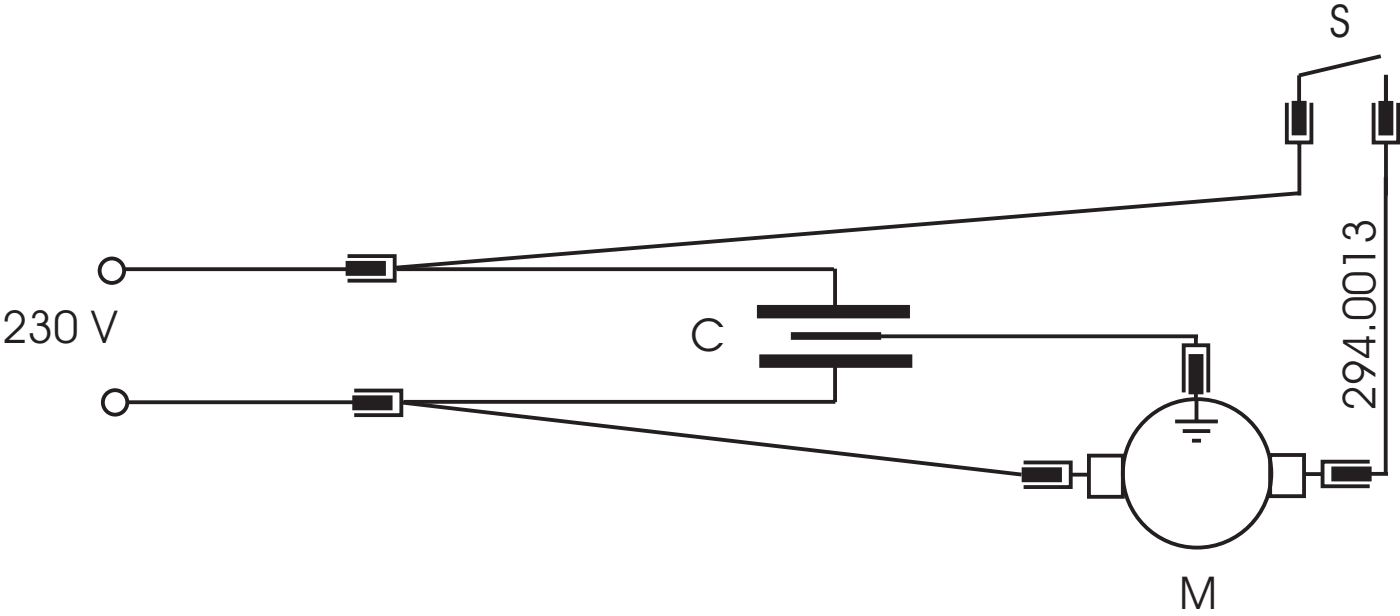
III



II



III ELECTRIC DIAGRAM OF THE ELECTRIC SLICER TYPE 294 / ZELMER HUNGARY



S - MAIN SWITCH
C - CAPACITOR
M - MOTOR

IV MOTOR TYPE 193.5000

