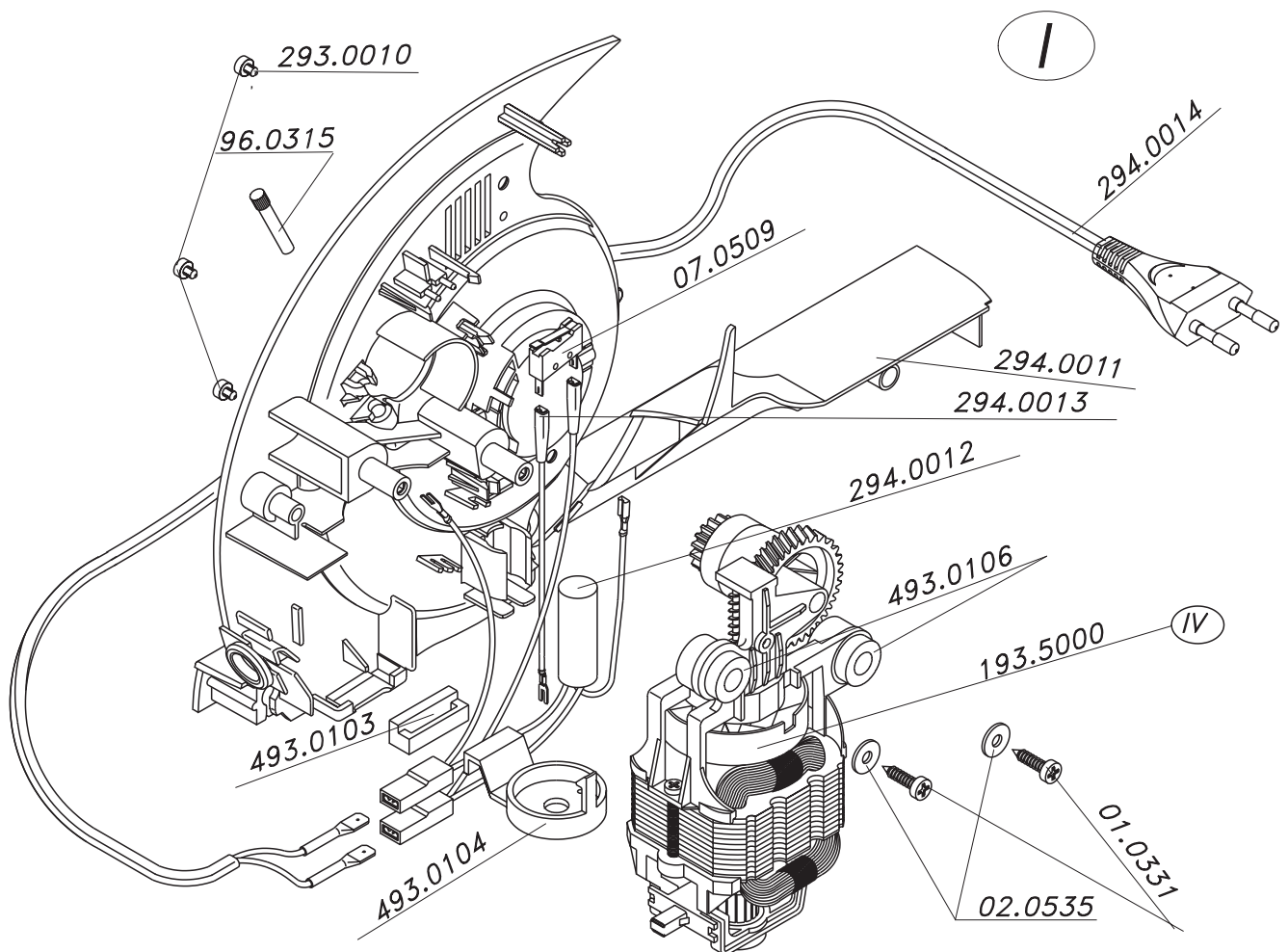
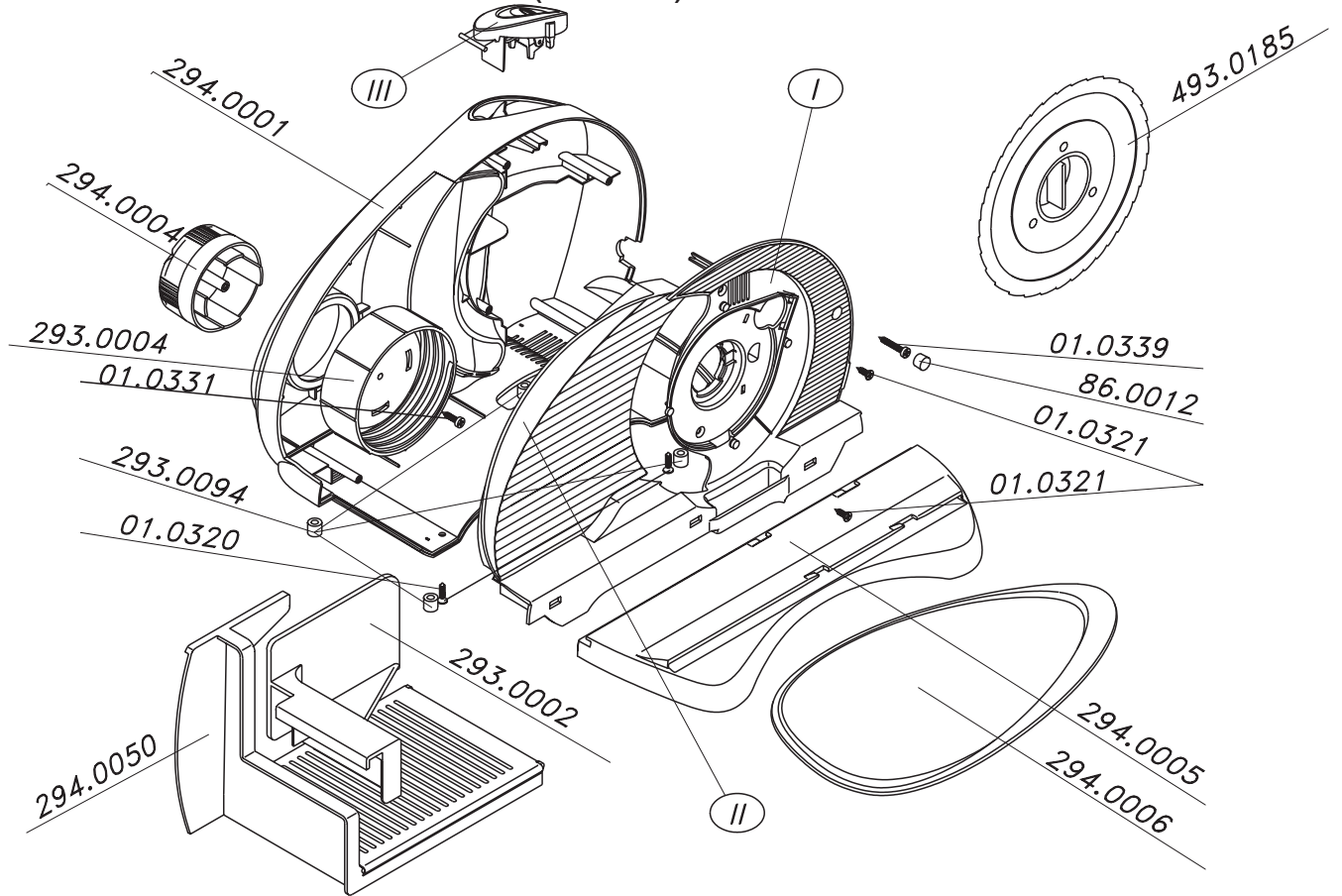
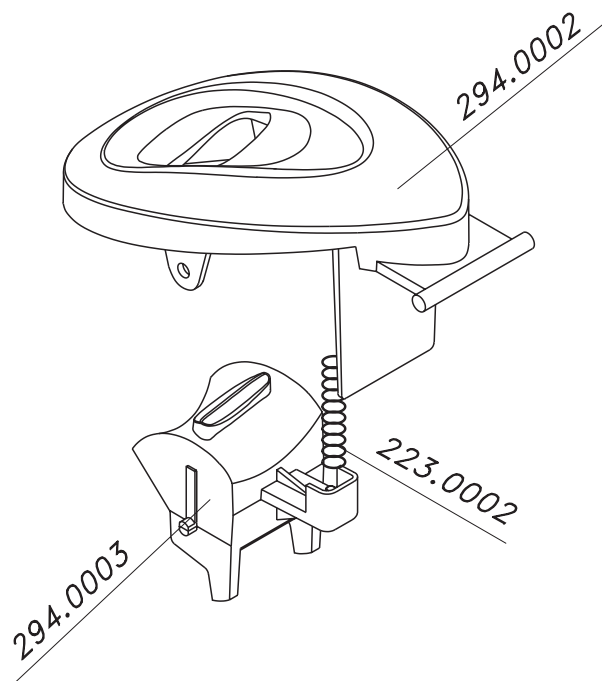


ELECTRIC SLICER TYPE 294 / ZELMER HUNGARY (BEIGE)

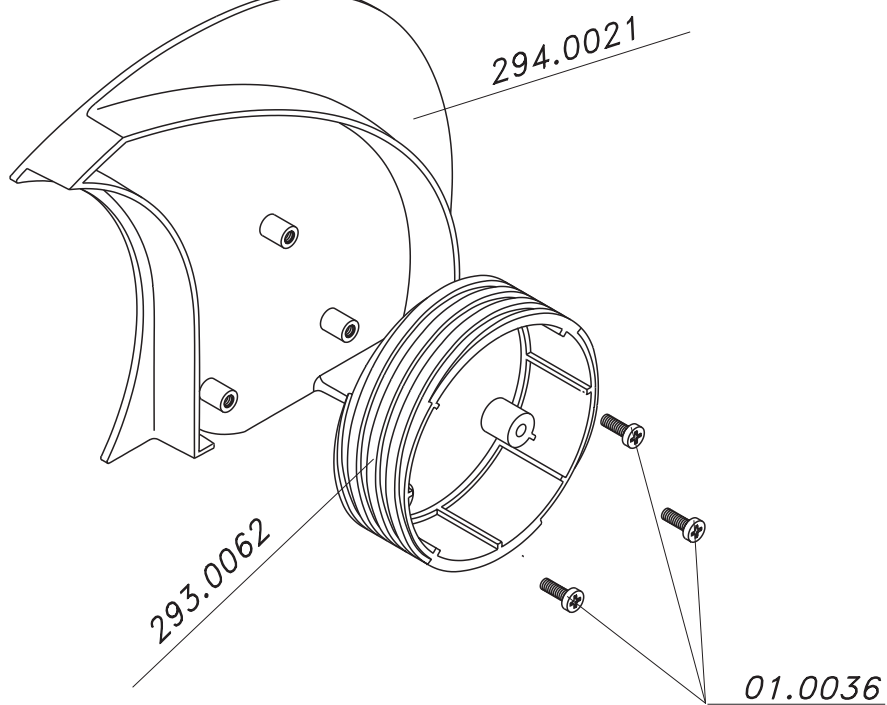


II ELECTRIC SLICER TYPE 294 / ZELMER HUNGARY

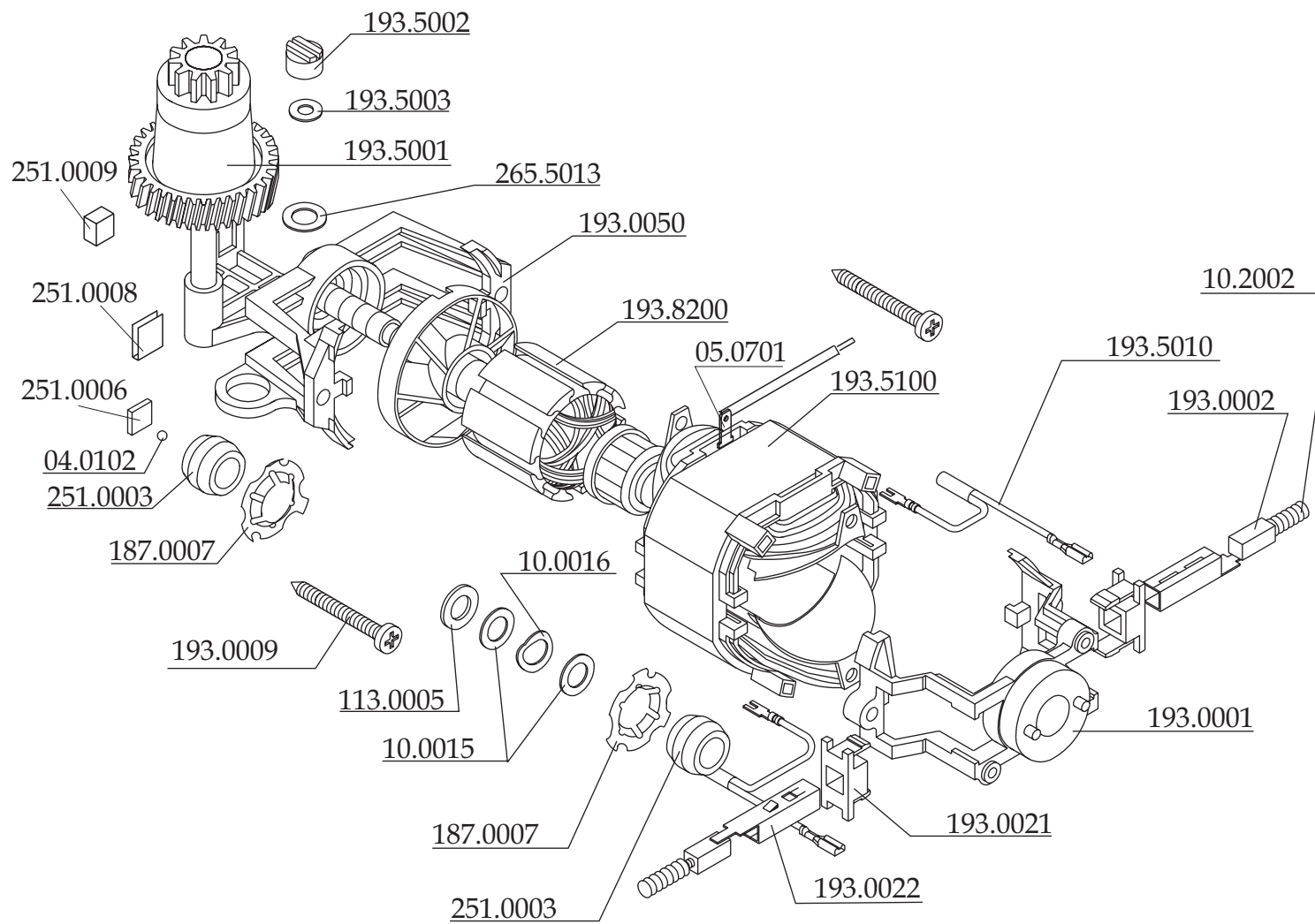
III



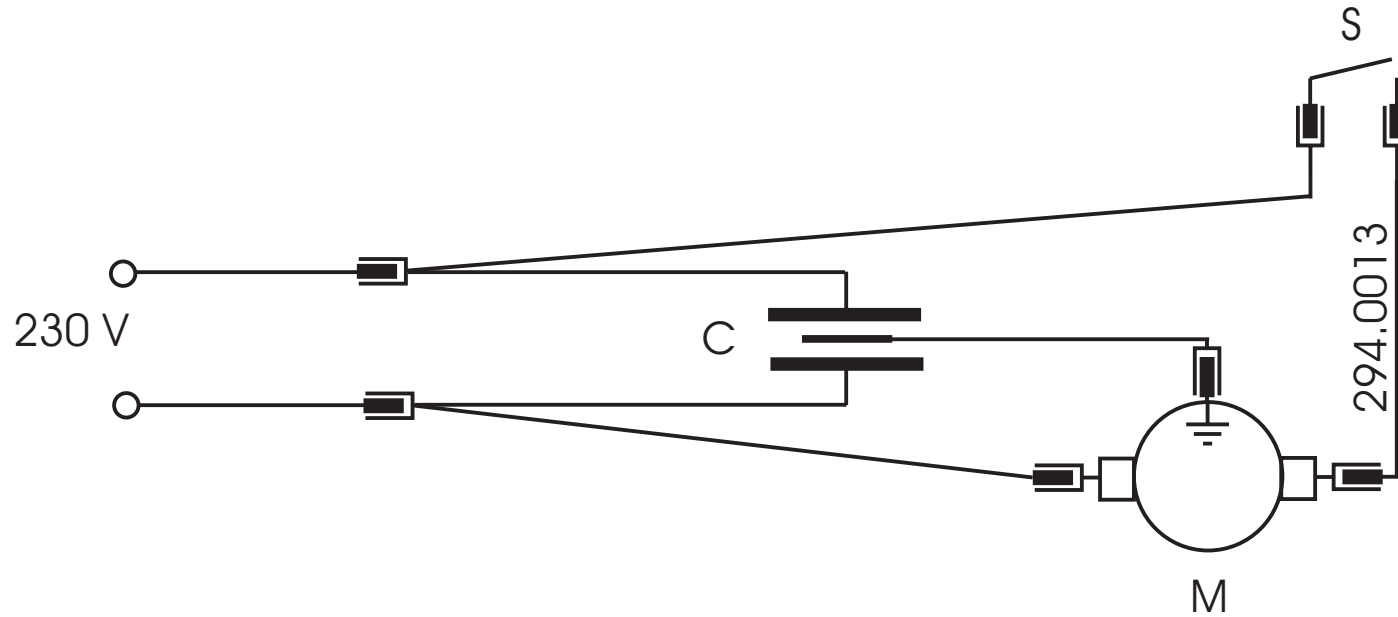
II



||| MOTOR TYPE 193.5000



IV ELECTRIC DIAGRAM OF THE ELECTRIC SLICER TYPE 294 / ZELMER HUNGARY



S - MAIN SWITCH
C - CAPACITOR
M - MOTOR