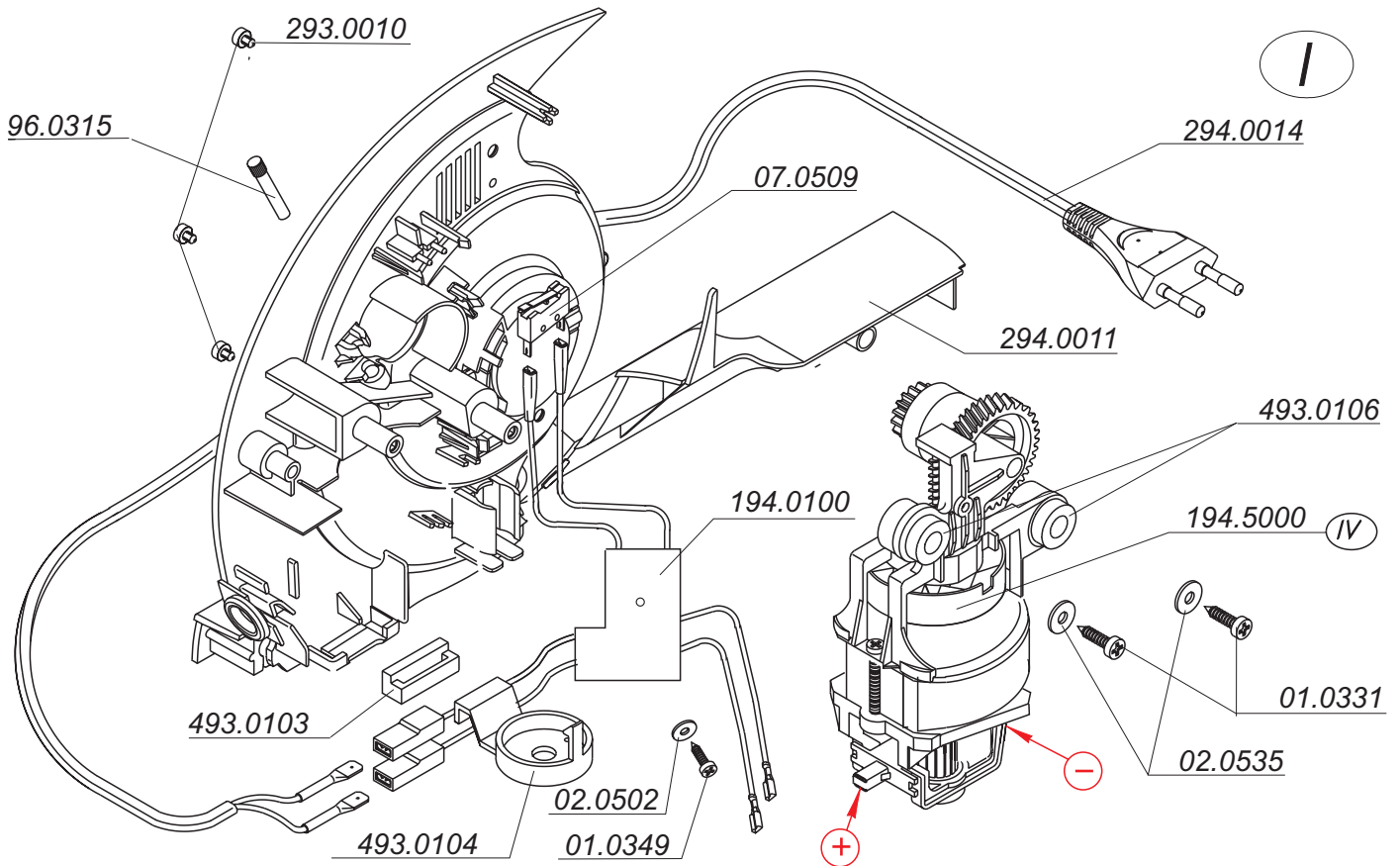
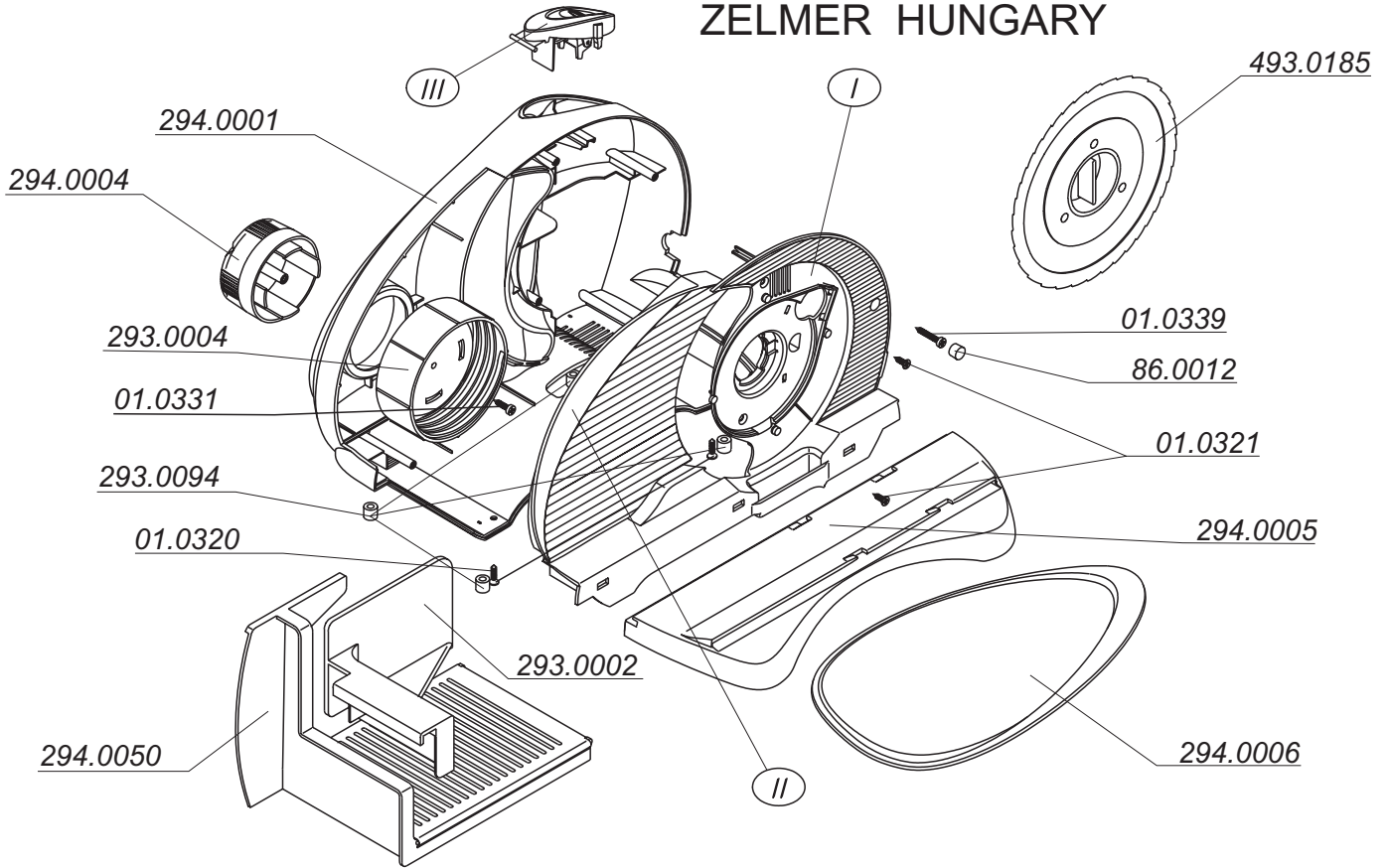
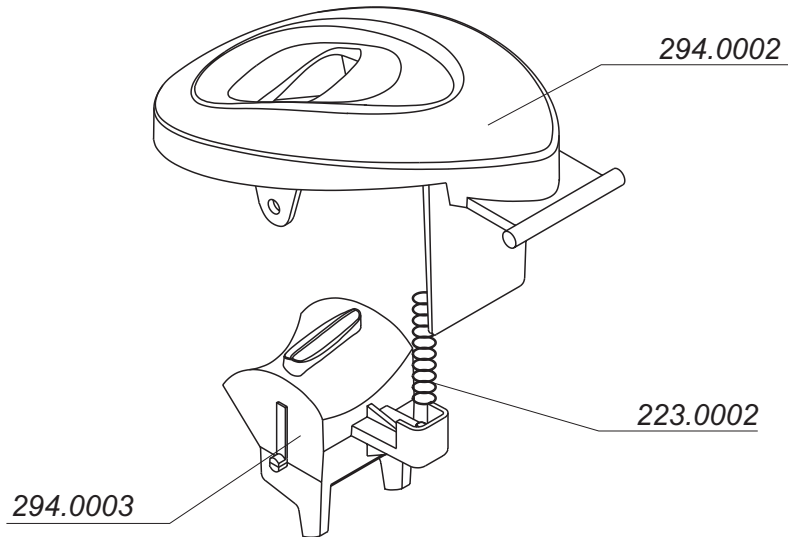


I ELECTRIC SLICER TYPE 294.5 (WHITE) ZELMER HUNGARY

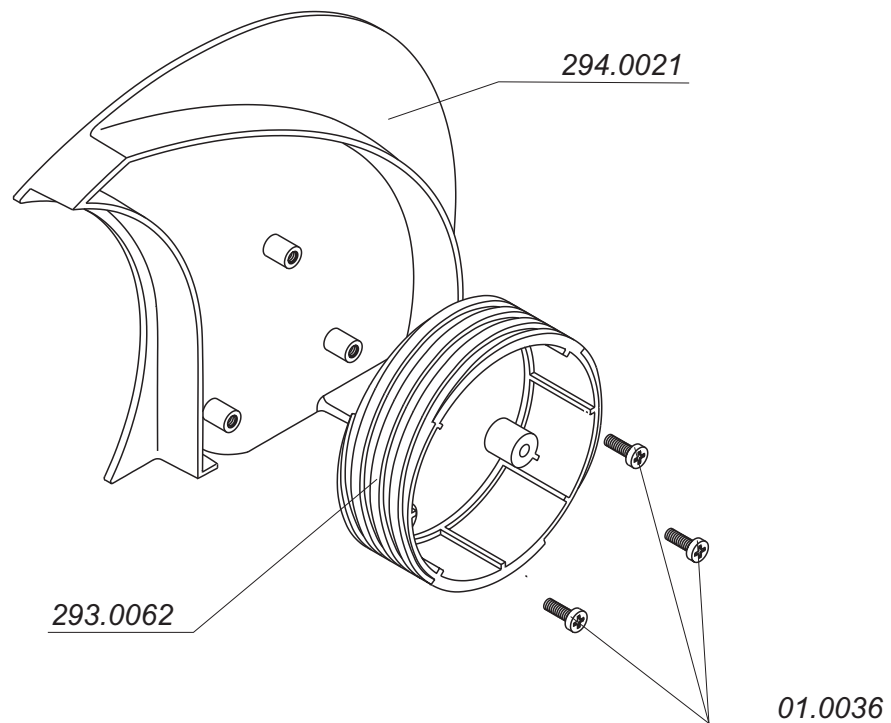


II ELECTRIC SLICER TYPE 294.5 ZELMER HUNGARY

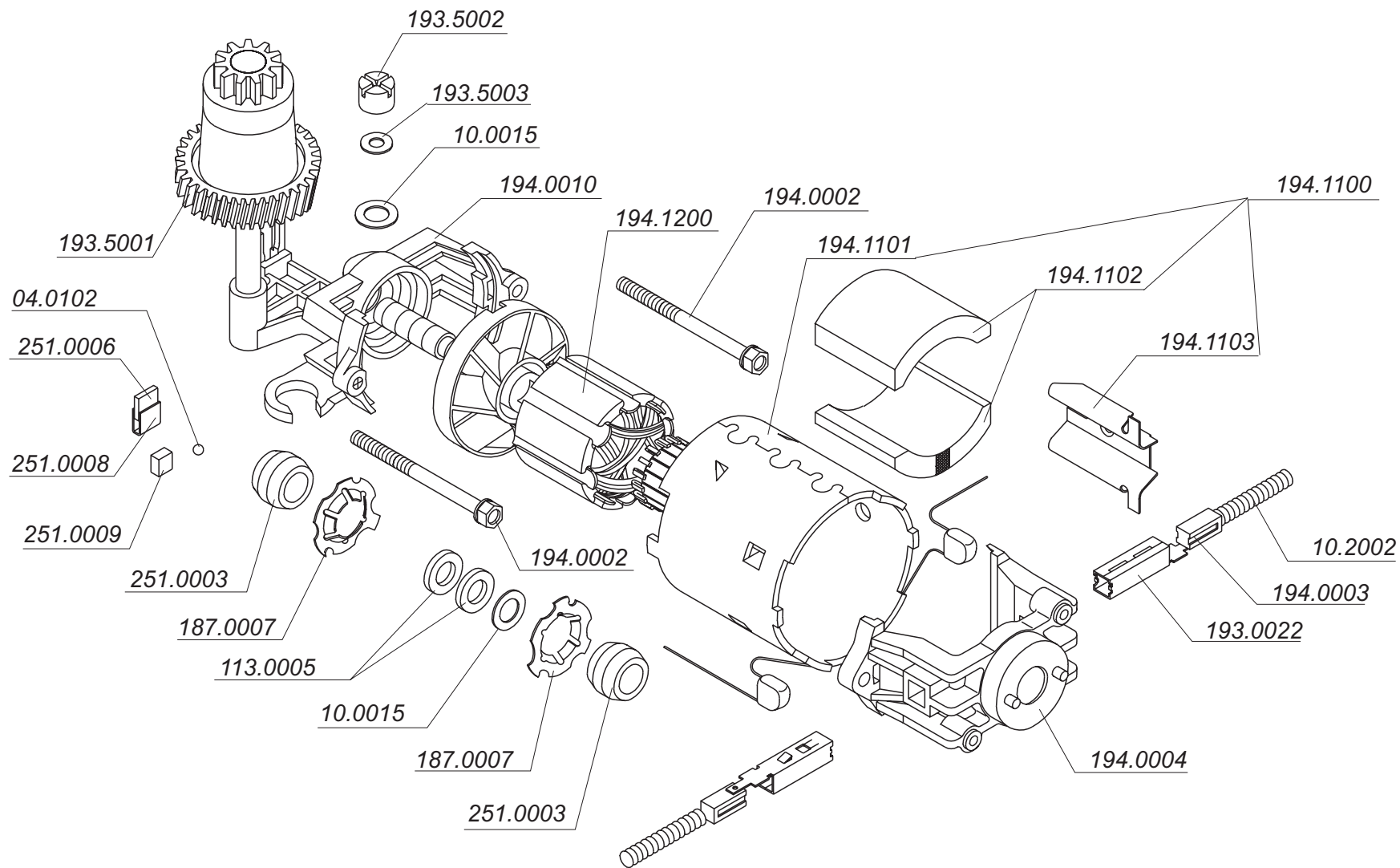
III



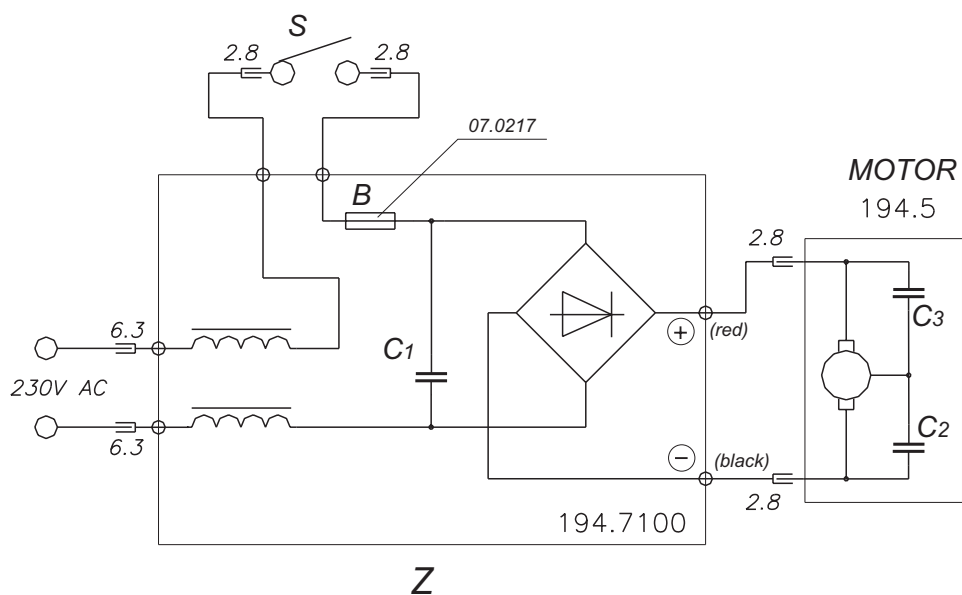
II



III MOTOR TYPE 194.5000



IV ELECTRIC DIAGRAM OF THE ELECTRIC SLICER TYPE 294.5 ZELMER HUNGARY



S - MAIN SWITCH
C₁, C₂, C₃ - CAPACITOR
M - MOTOR
Z - FEERDER
B - FUSE