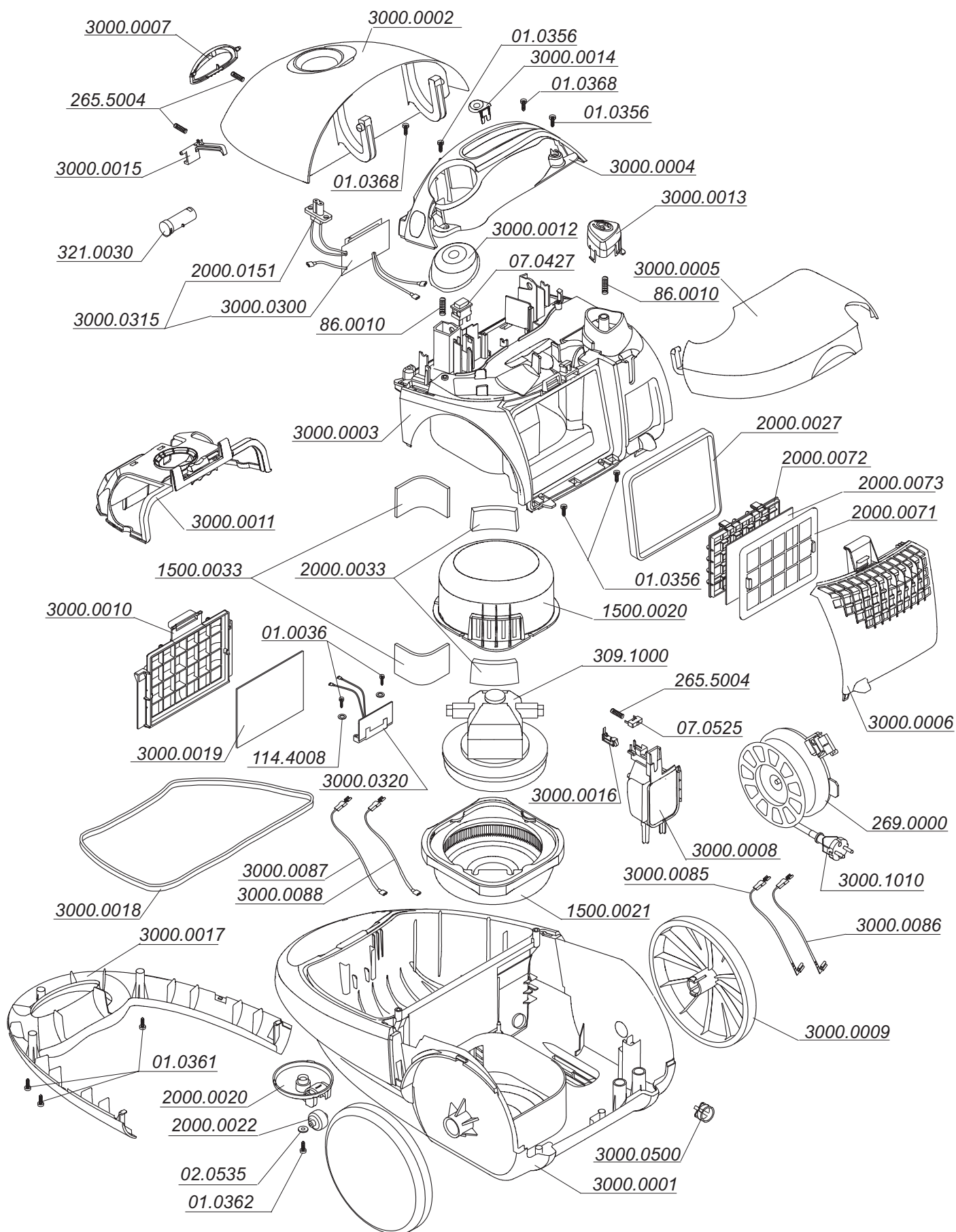
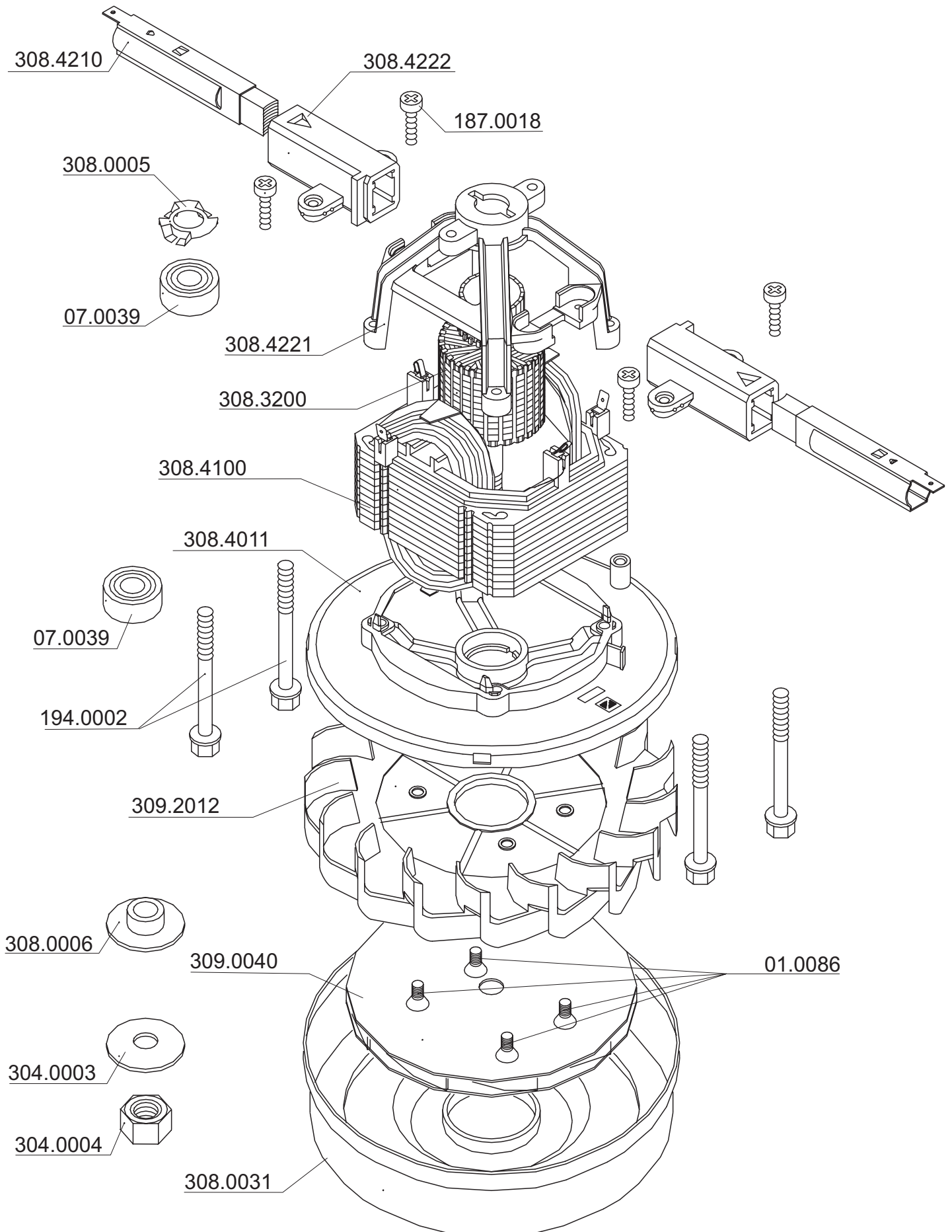


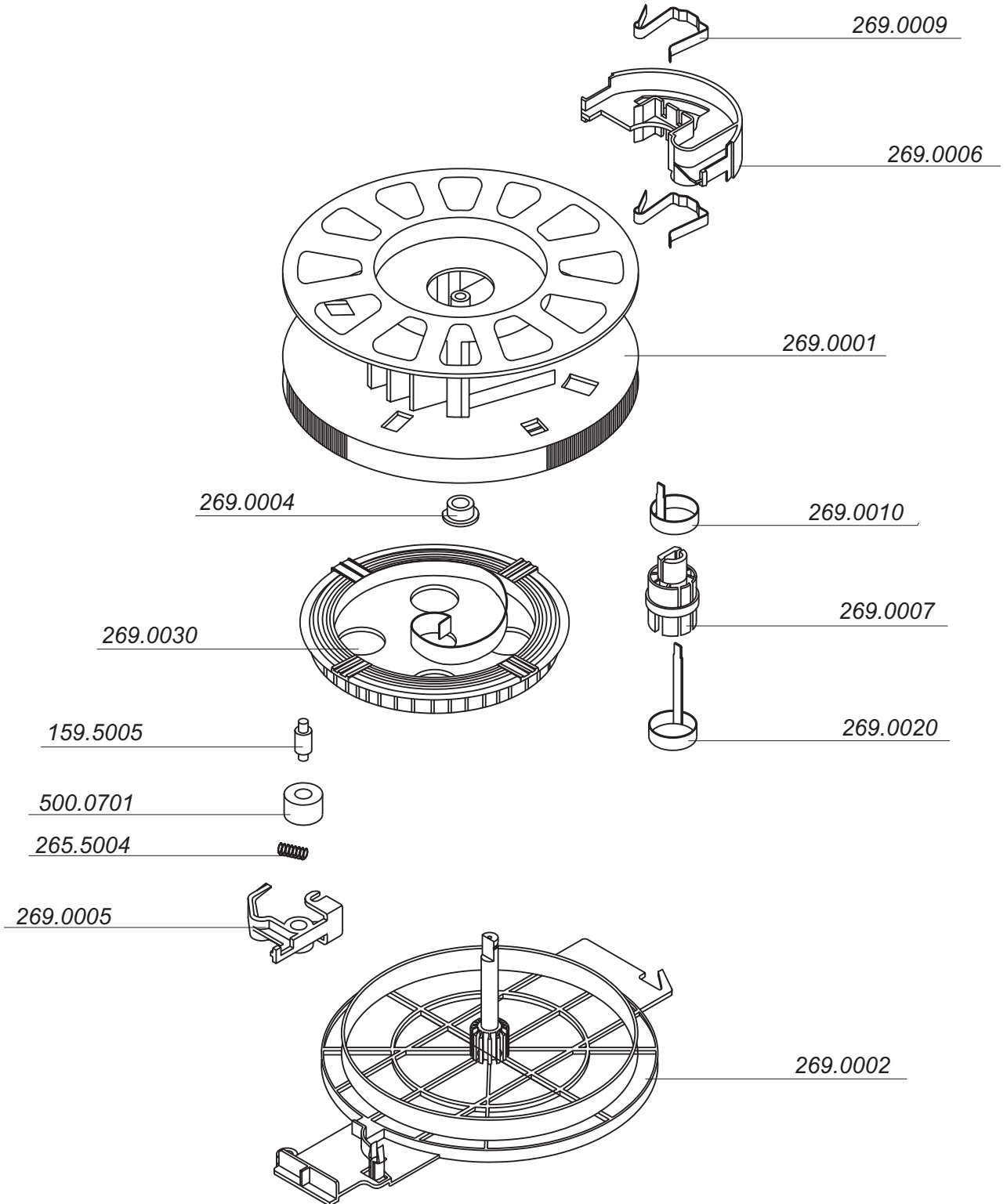
VACUUM CLEANER ZELMER TYPE 3000.0.K28E (BLACK RAL 9005) ZELMER HUNGARY



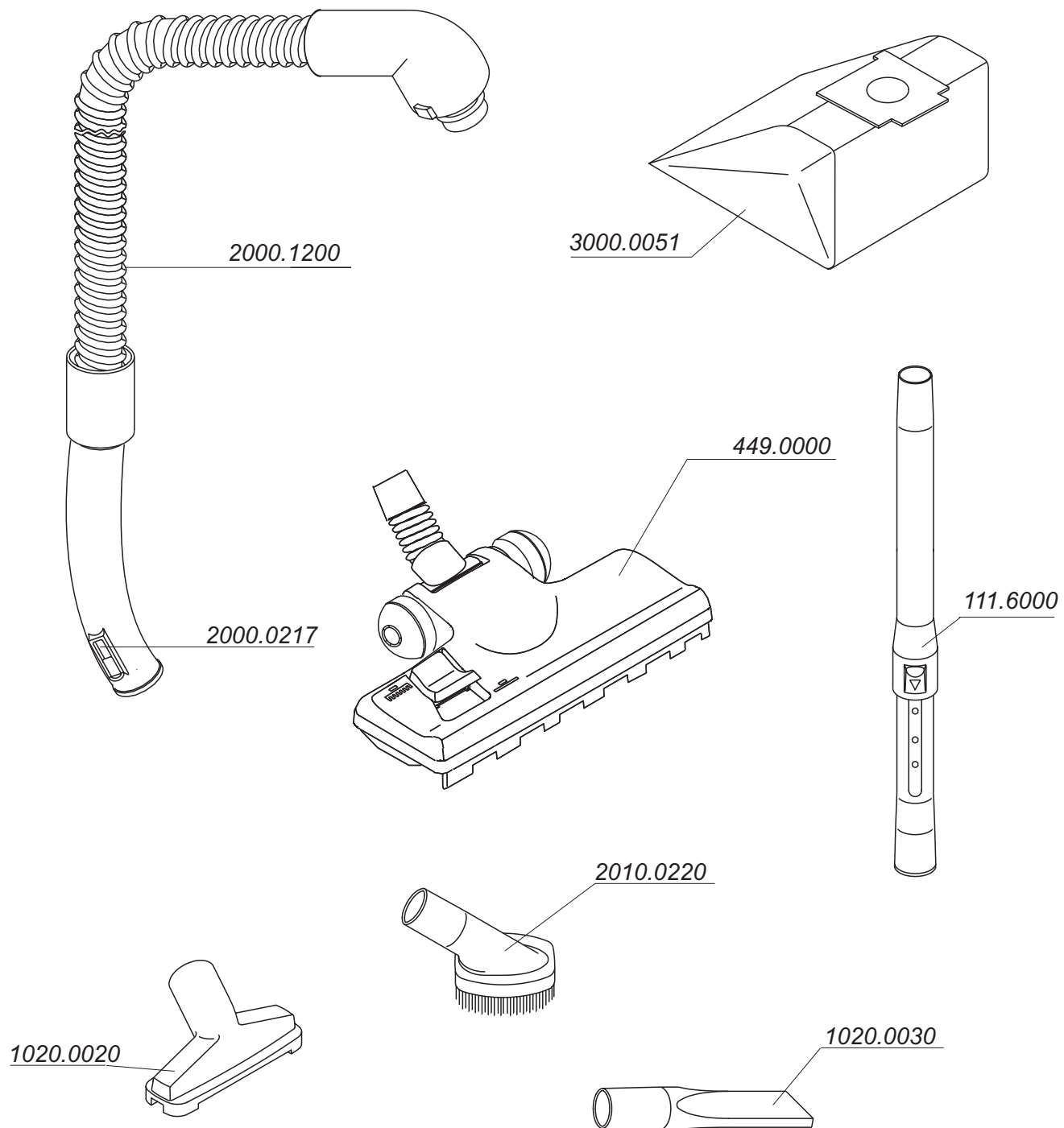
II SUCTION UNIT TYPE 309.1000



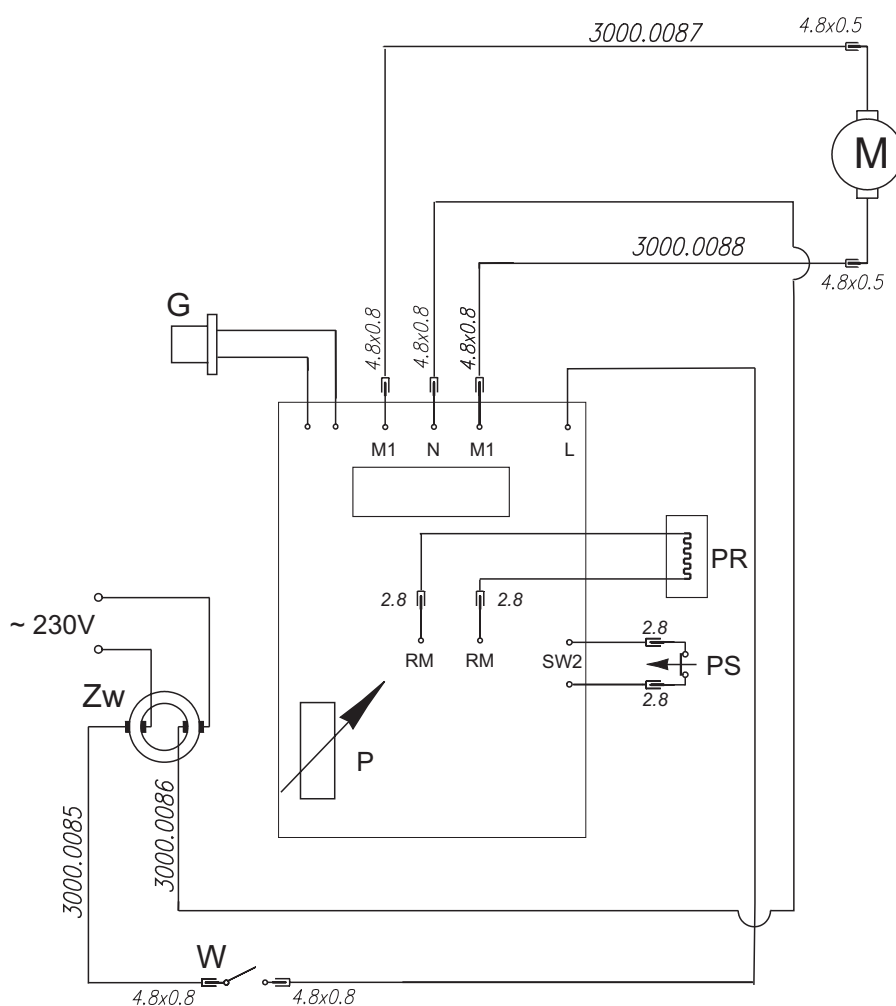
III CORD WINDER 269.0000



IV ACCESSORIES VACUUM CLEANER ZELMER TYPE 3000.0.K28E (BLACK RAL 9005) ZELMER HUNGARY



V ELECTRICAL DIAGRAM OF THE VACUUM CLEANER ZELMER TYPE 3000.0.K28E ZELMER HUNGARY



- Zw - CORD WINDER
- M - MOTOR
- W - MAIN SWICH
- G - ELECTROBRUSH - SOCKET
- P - POTENTIOMETER
- Ps - PARKSYSTEM
- PR - RESISTOR

VI DISMANTLE OF VACUUM CLEANER TYPE 3000

