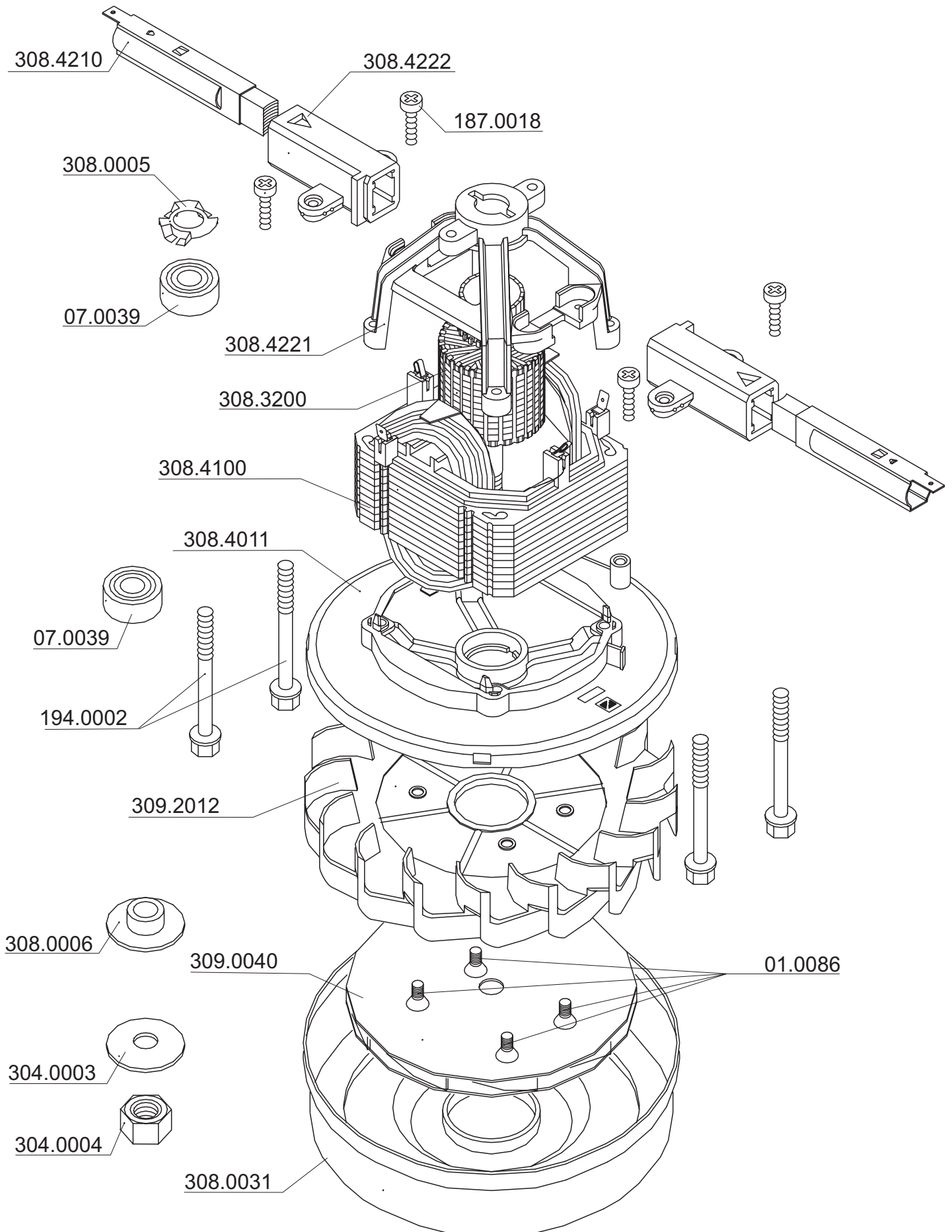
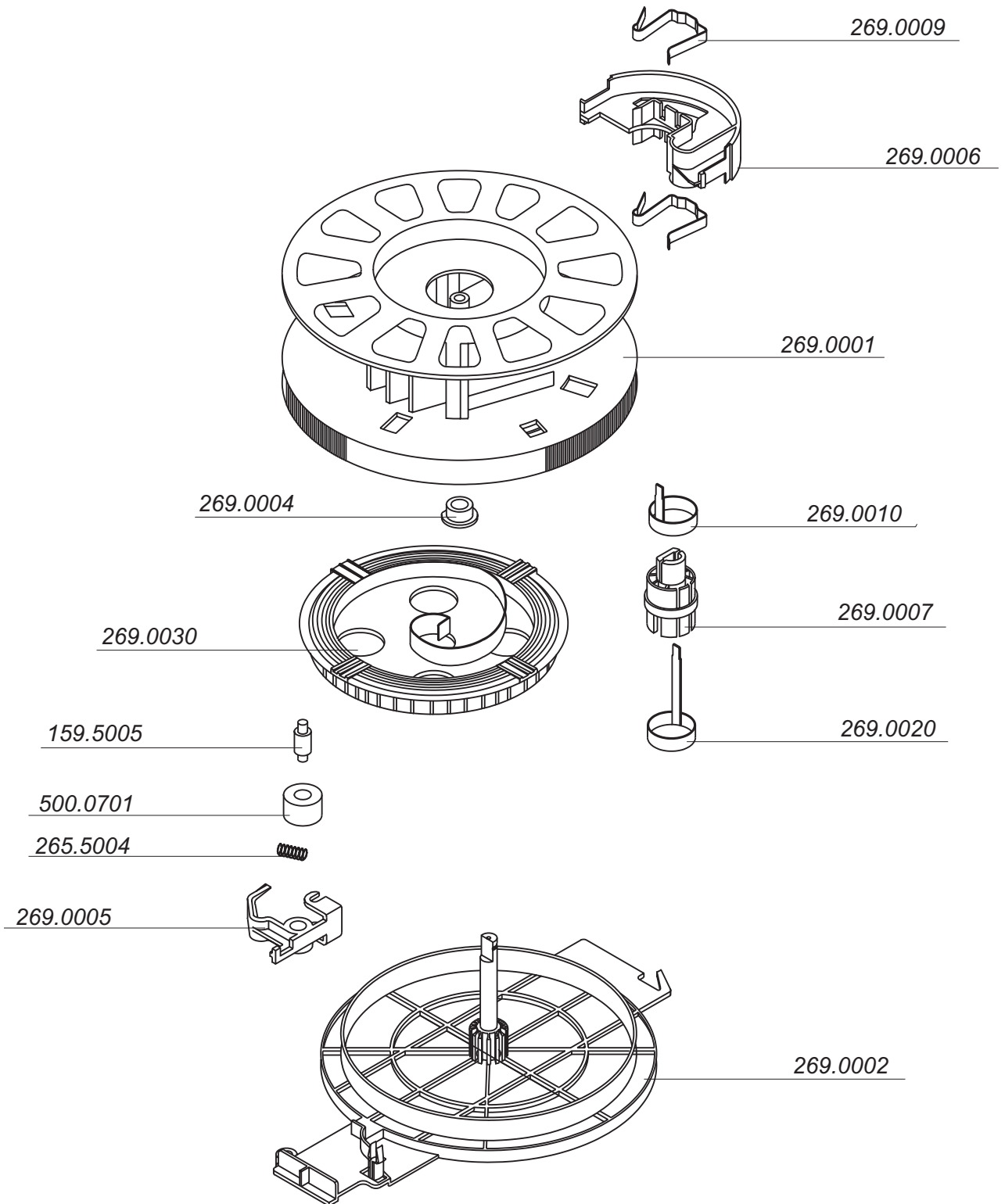


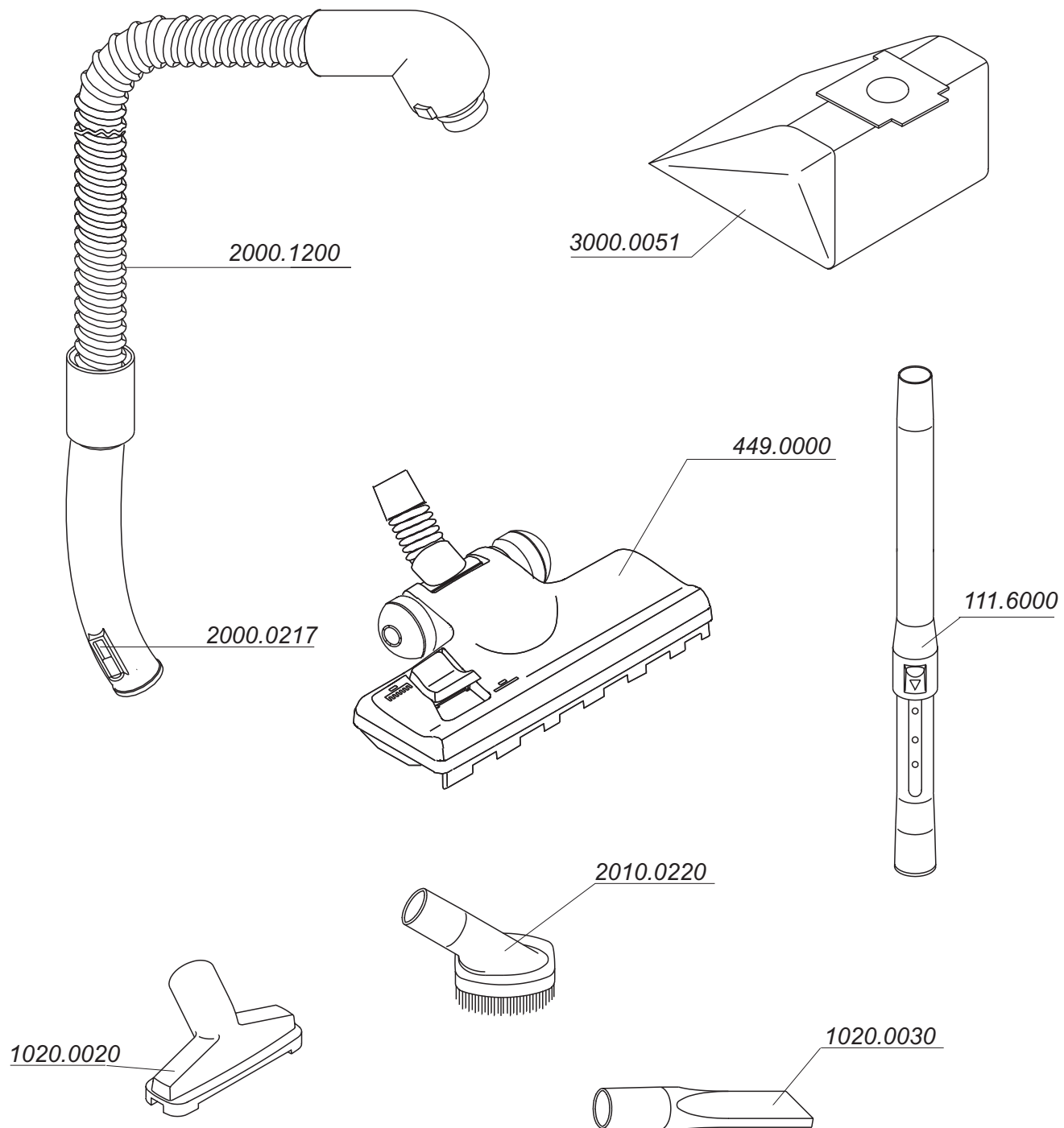
II SUCTION UNIT TYPE 309.1000



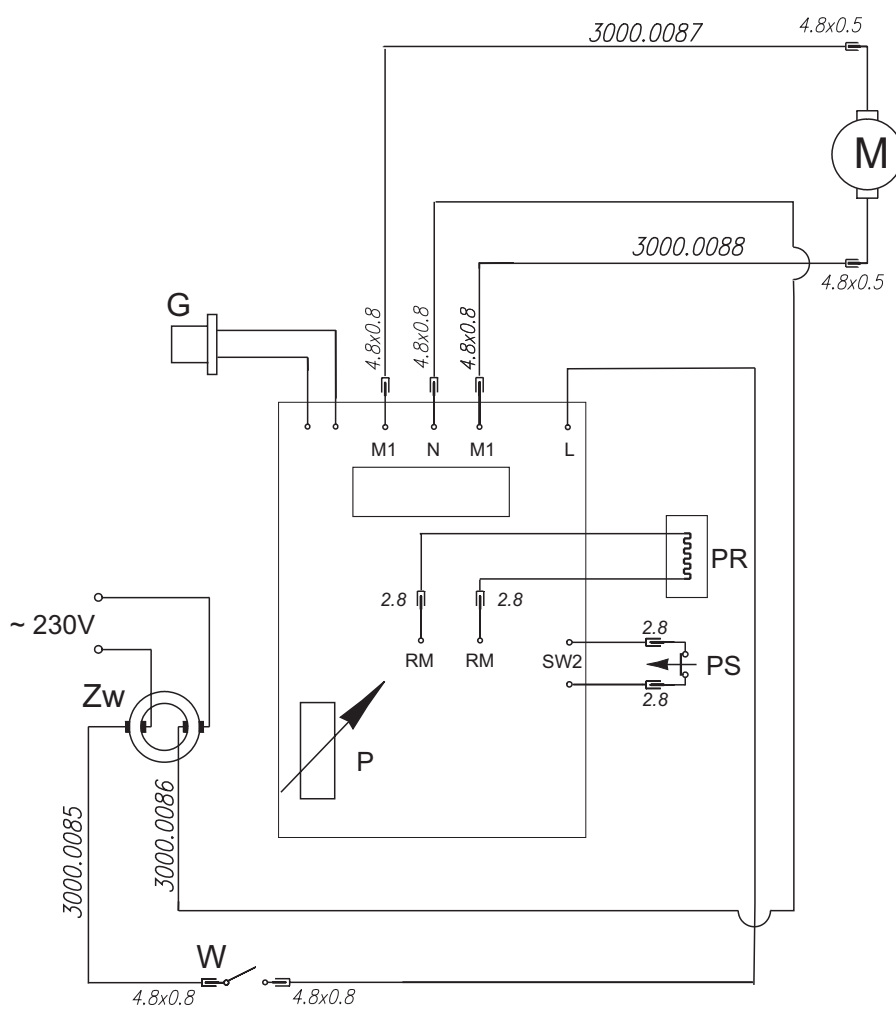
III CORD WINDER 269.0000



IV ACCESSORIES VACUUM CLEANER ZELMER TYPE 3000.0.K28S (SILVER) ZELMER HUNGARY



V ELECTRICAL DIAGRAM OF THE VACUUM CLEANER ZELMER TYPE 3000.0.K28S ZELMER HUNGARY



- Zw - CORD WINDER
- M - MOTOR
- W - MAIN SWICH
- G - ELECTROBRUSH - SOCKET
- P - POTENTIOMETER
- Ps - PARKSYSTEM
- PR - RESISTOR

VI DISMANTLE OF VACUUM CLEANER TYPE 3000

