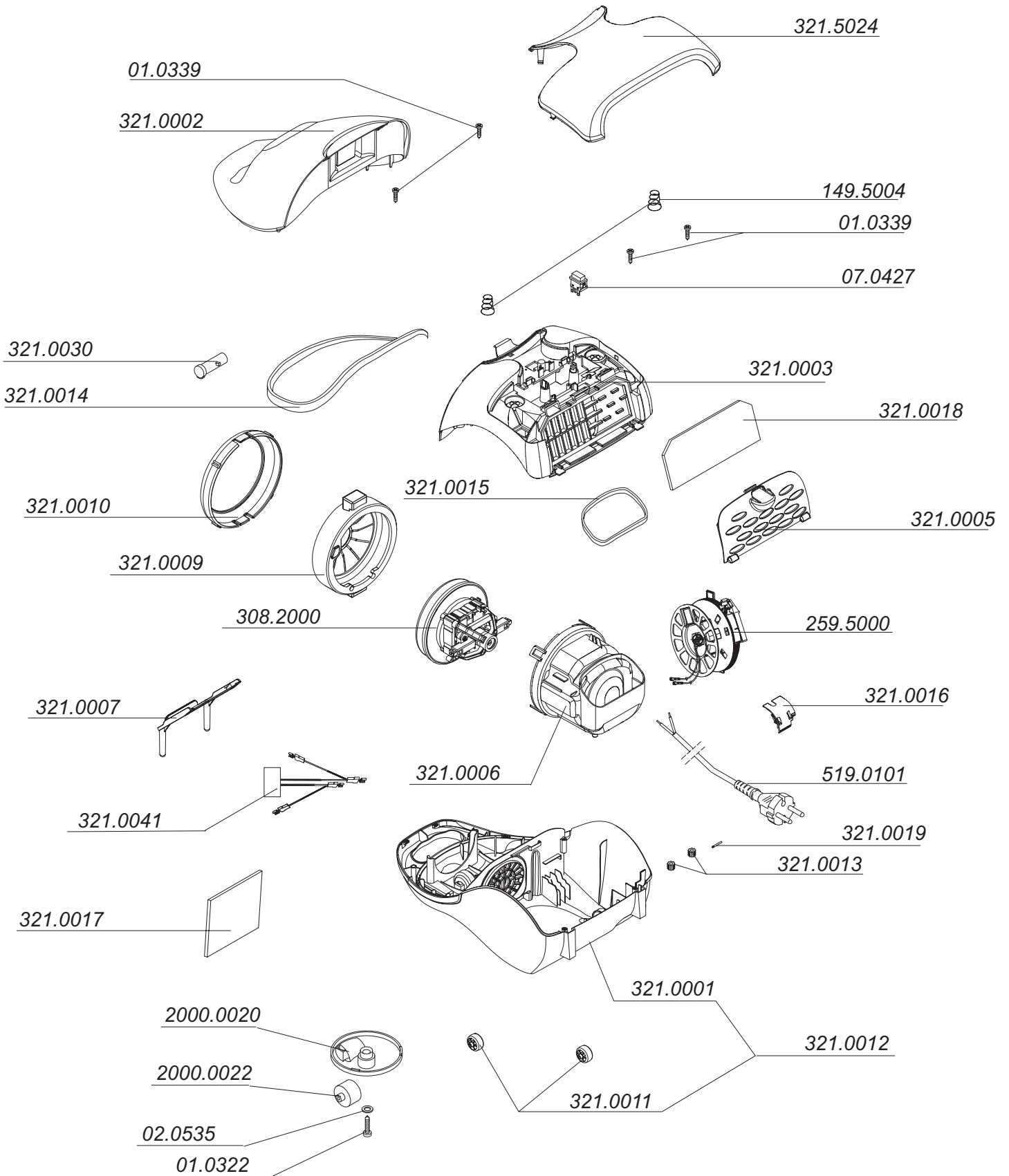
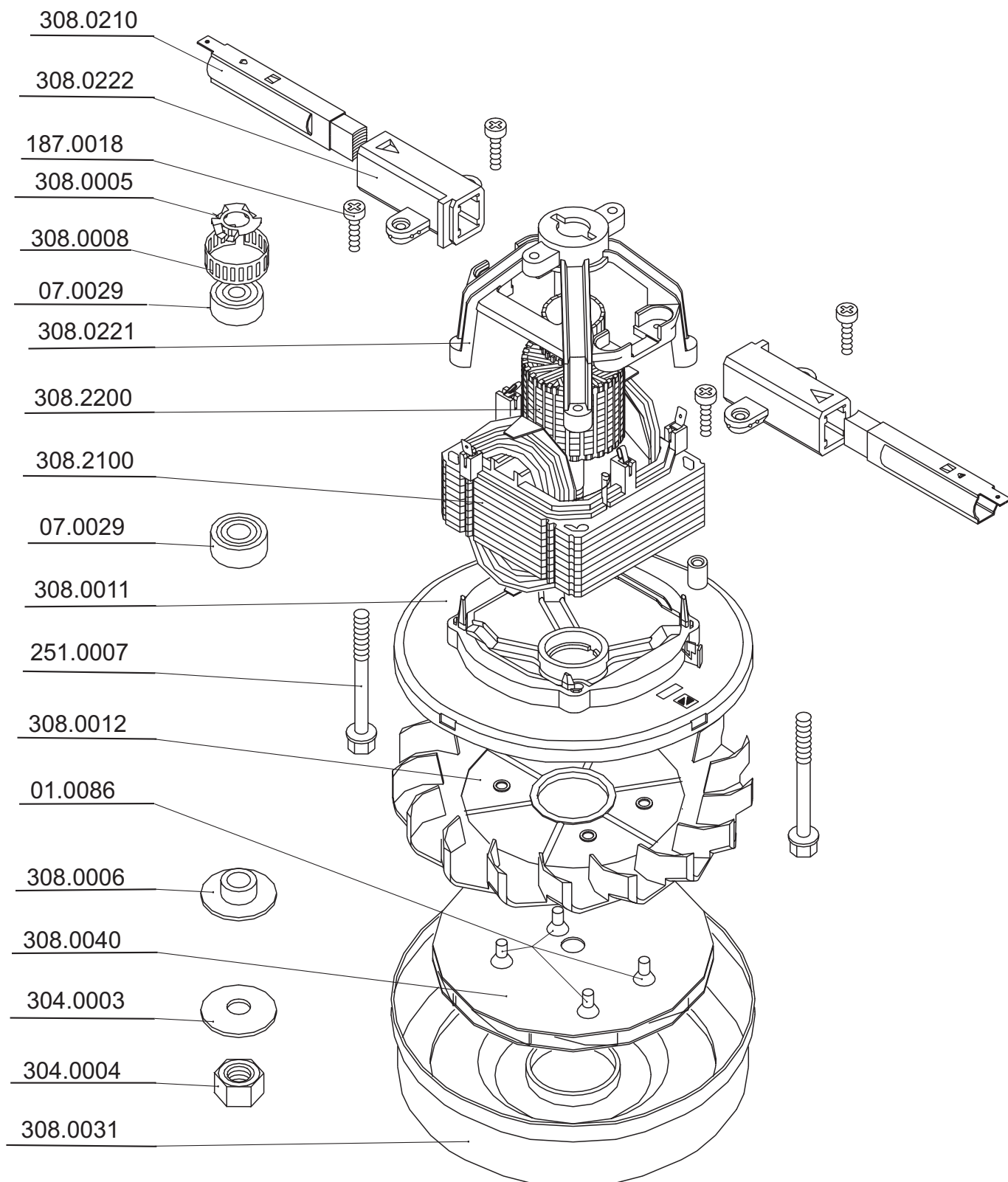


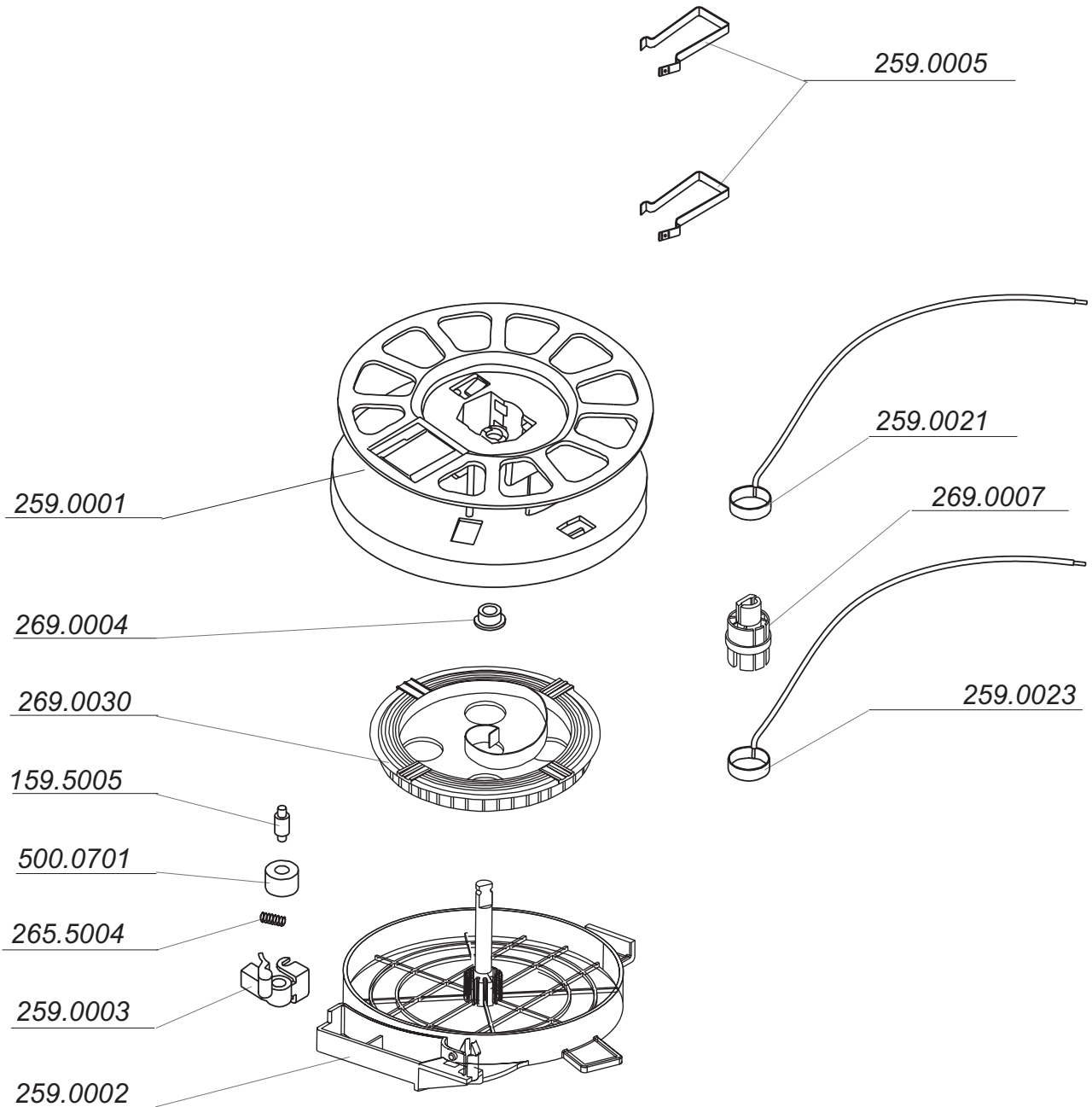
# VACUUM CLEANER ZELMER TYPE 321.5.E00E ( RED / BLACK RAL 9005 ) ZELMER HUNGARY



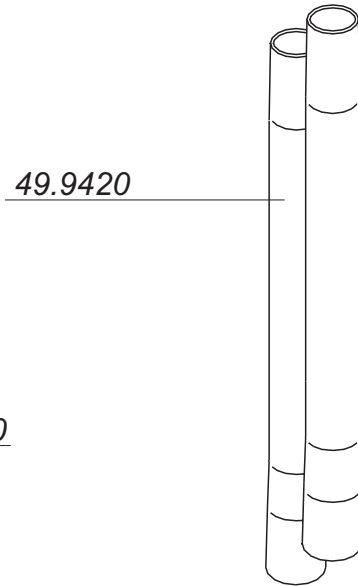
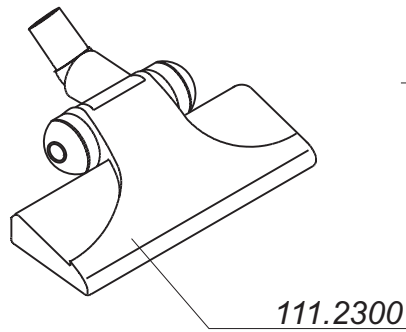
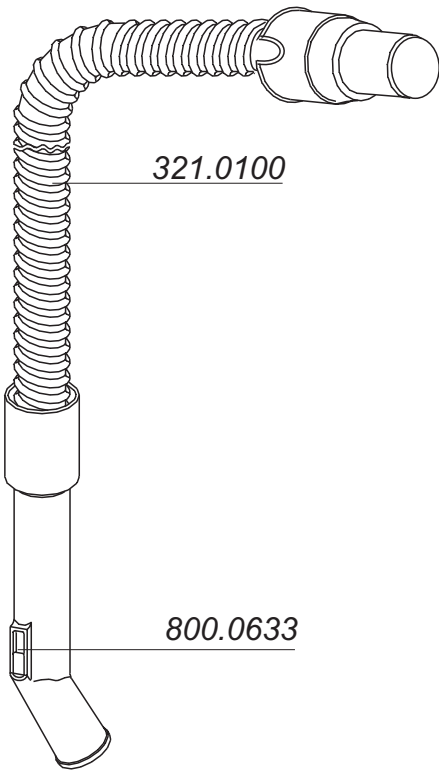
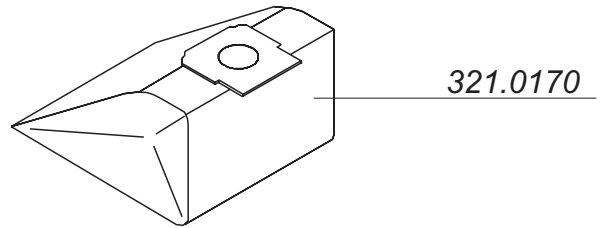
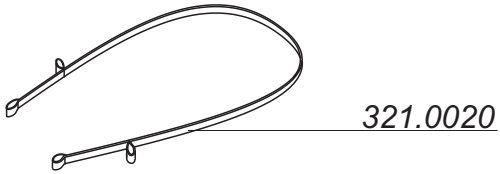
## || SUCTION UNIT TYPE 308.2000



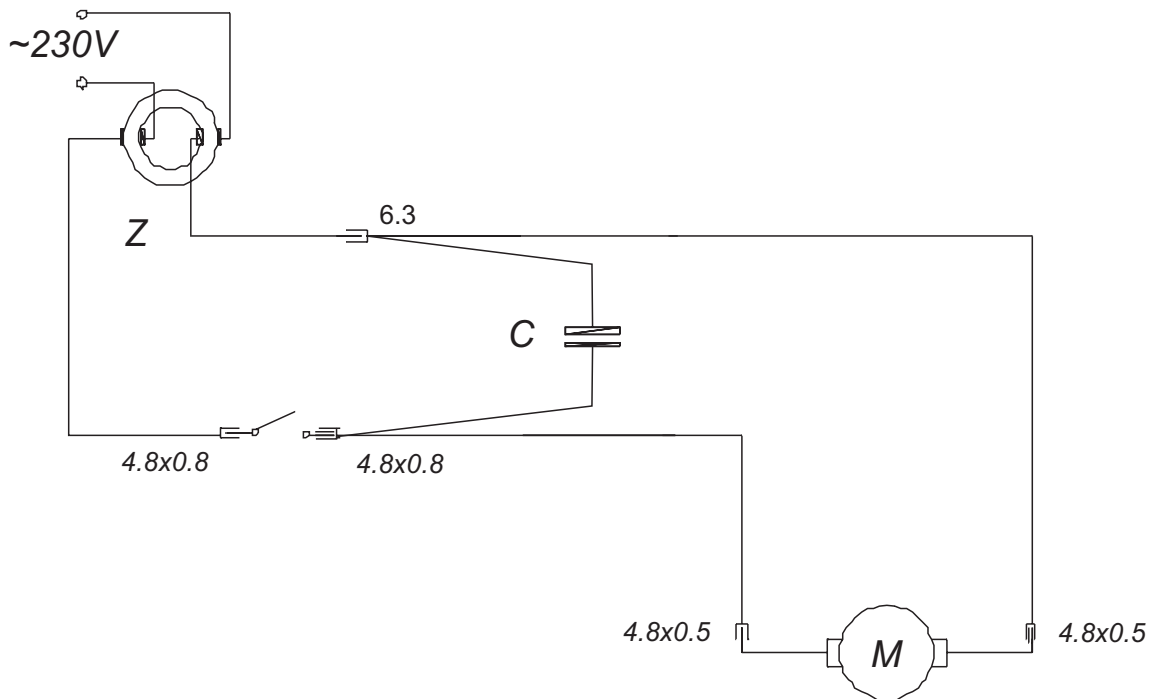
# ||| CORD WINDER 259.5000



**IV** VACUUM CLEANER ACCESSORIES  
ZELMER TYPE 321.5.E00E  
(RED / BLACK RAL 9005 )  
ZELMER HUNGARY



# V ELECTRICAL DIAGRAM OF THE VACUUM CLEANER ZELMER TYPE 321.5.E00E ZELMER HUNGARY



Z - CORD WINDER  
C - CAPACITOR  
M - MOTOR  
W - MAIN SWICH