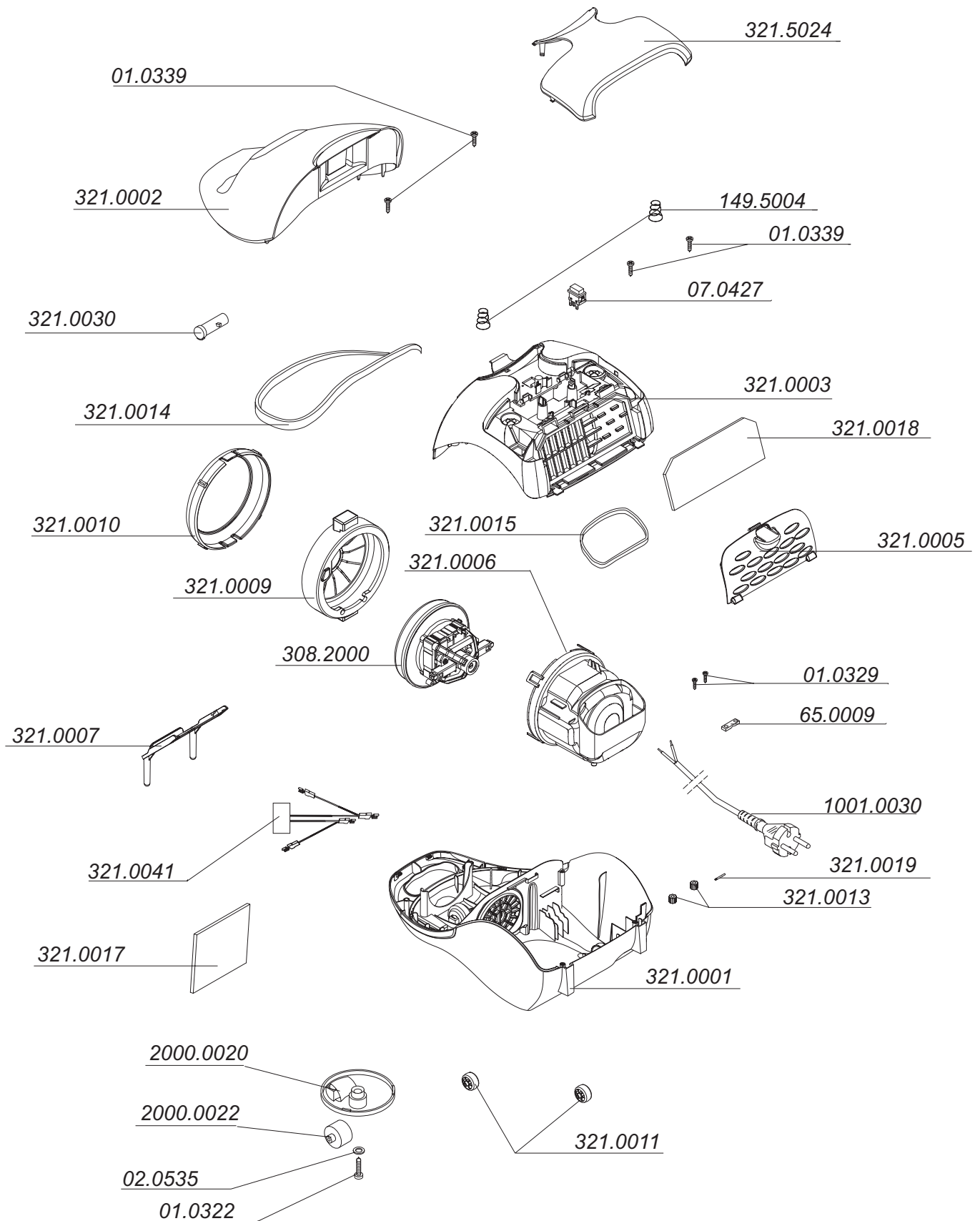
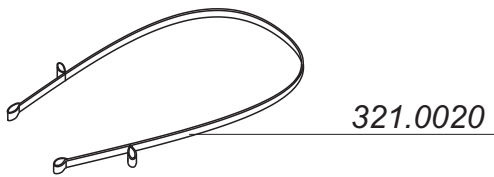


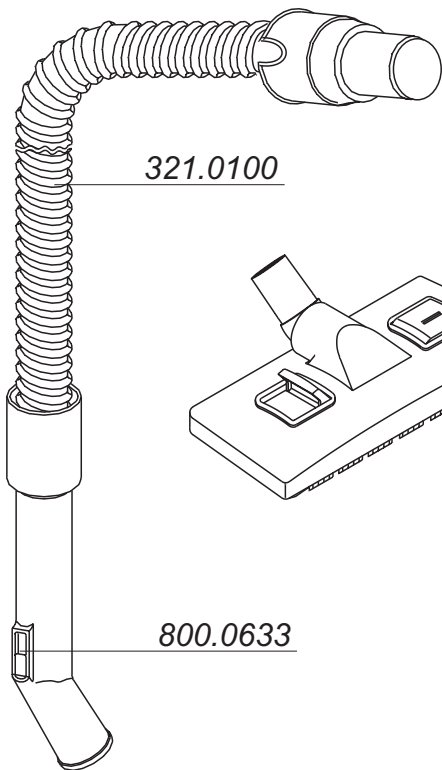
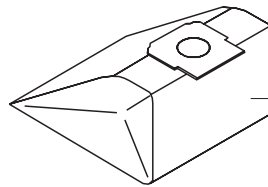
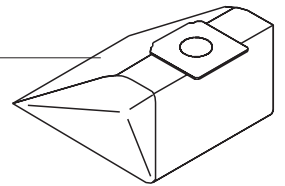
I VACUUM CLEANER ZELMER TYPE 321.6.E00E (YELLOW PANTONE 121C) ZELMER HUNGARY



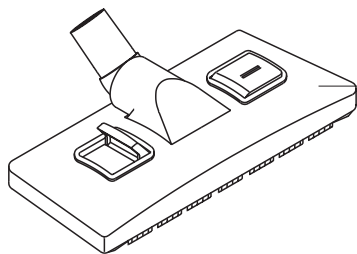
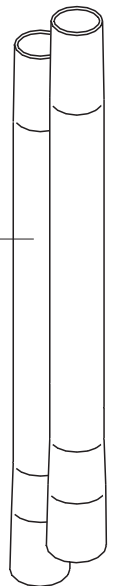
IV VACUUM CLEANER ACCESSORIES
ZELMER TYPE 321.6.E00E (YELLOW PANTONE 121C)
ZELMER HUNGARY



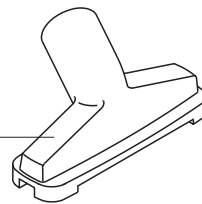
321.0180



49.9420

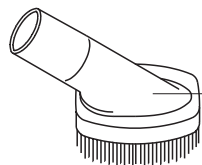


1020.0020



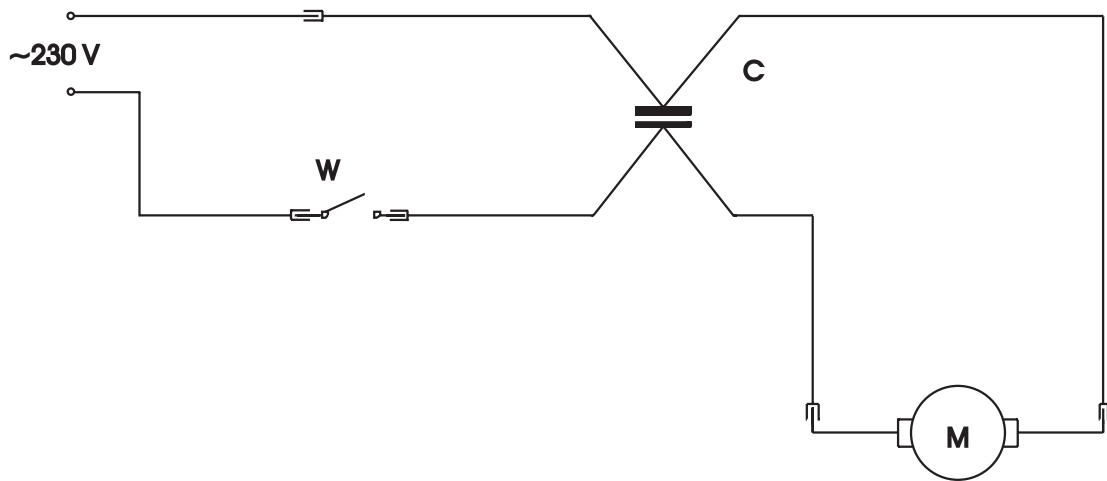
800.0633

1020.0030



1020.0040

**V ELECTRICAL DIAGRAM OF THE VACUUM CLEANER
ZELMER TYPE 321.6.E00E
ZELMER HUNGARY**



C - CAPACITOR
M - MOTOR
W - MAIN SWICH