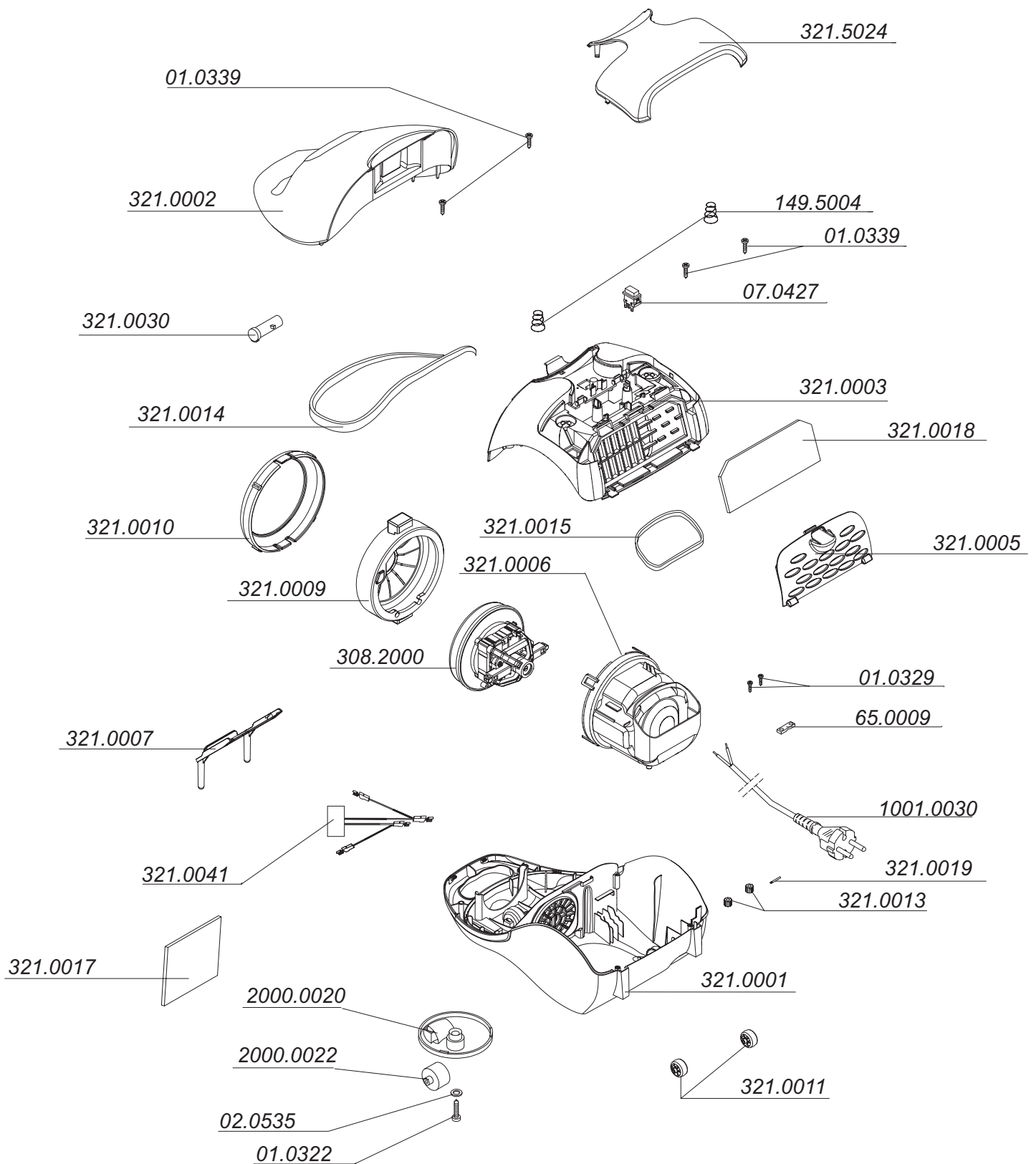
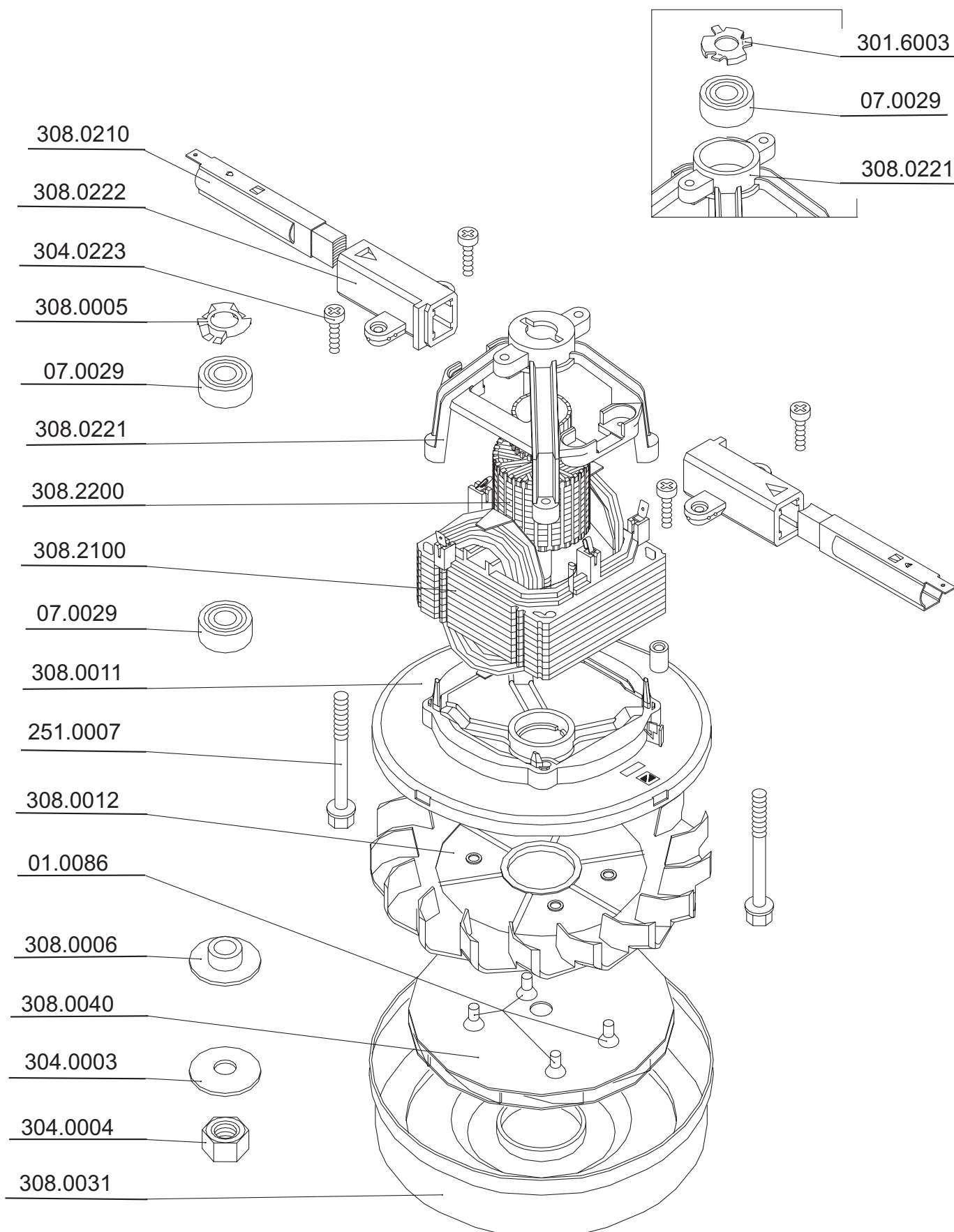


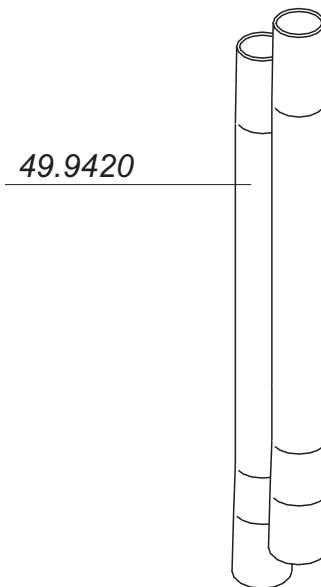
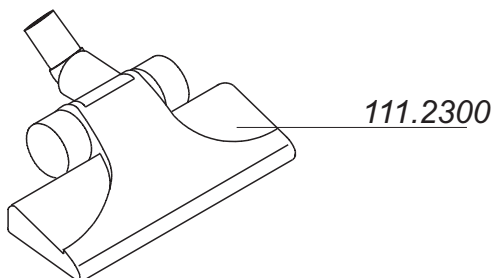
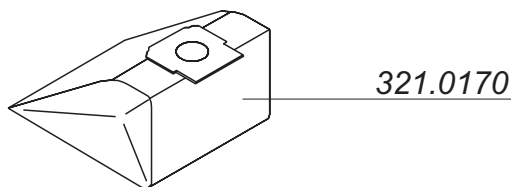
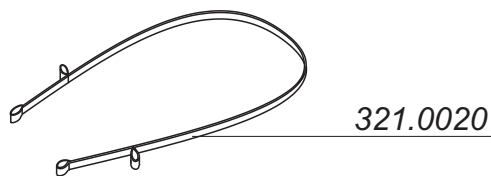
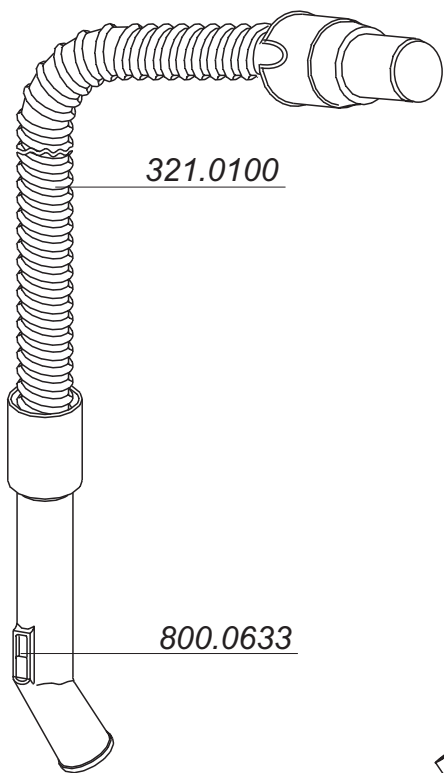
# I VACUUM CLEANER ZELMER TYPE 321T (RED "LEGO") ZELMER HUNGARY



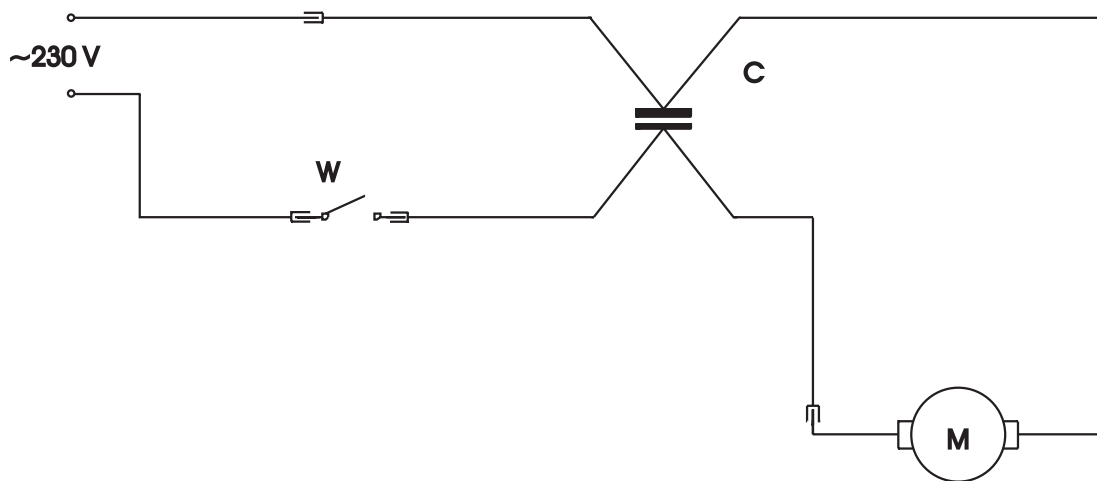
## II SUCTION UNIT TYPE 308.2000



**IV VACUUM CLEANER ACCESSORIES**  
**ZELMER TYPE 321T (RED „LEGO“)**  
**ZELMER HUNGARY**



V ELECTRICAL DIAGRAM OF THE VACUUM CLEANER  
ZELMER TYPE 321T  
ZELMER HUNGARY



C - CAPACITOR  
M - MOTOR  
W - MAIN SWICH