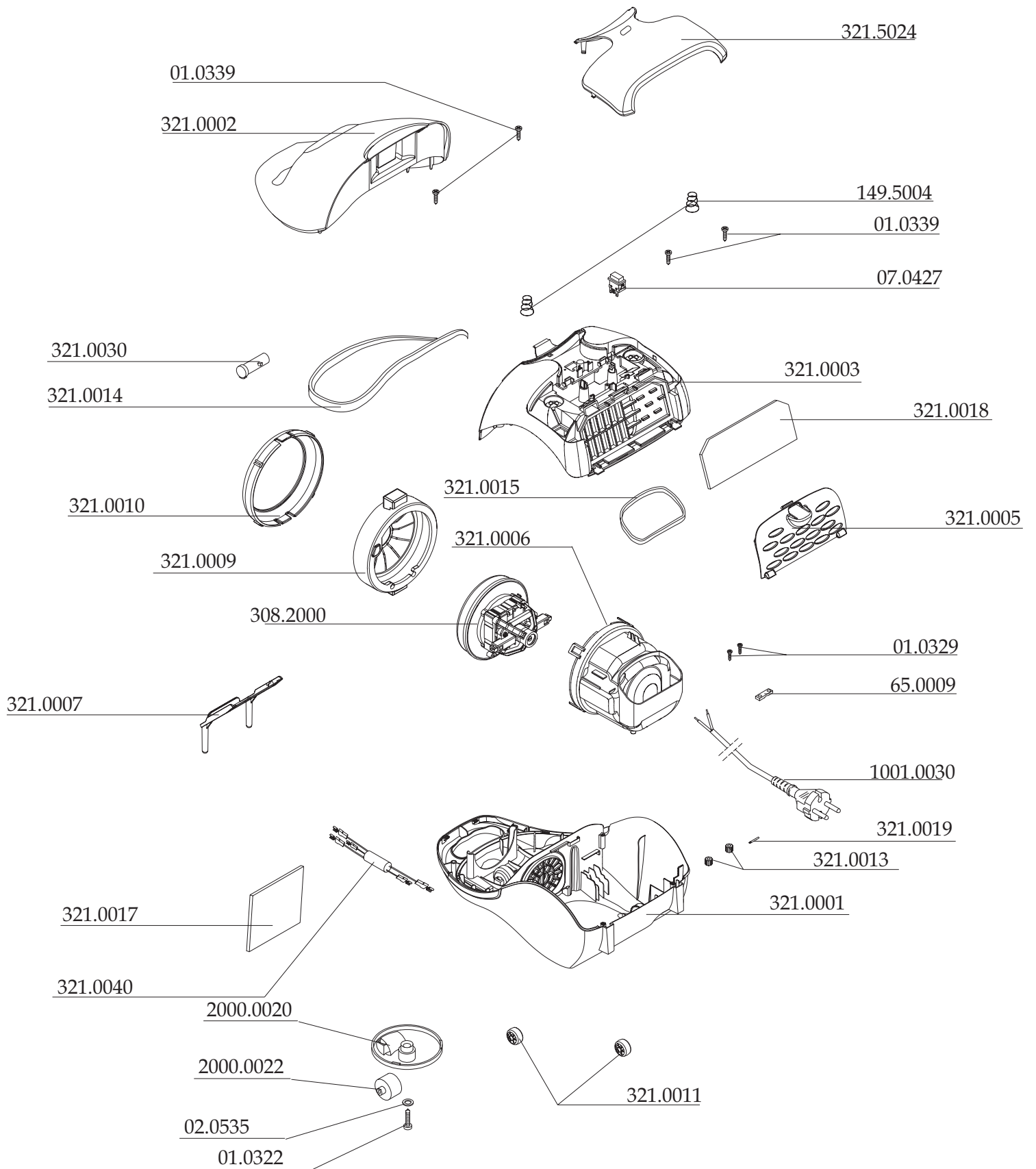
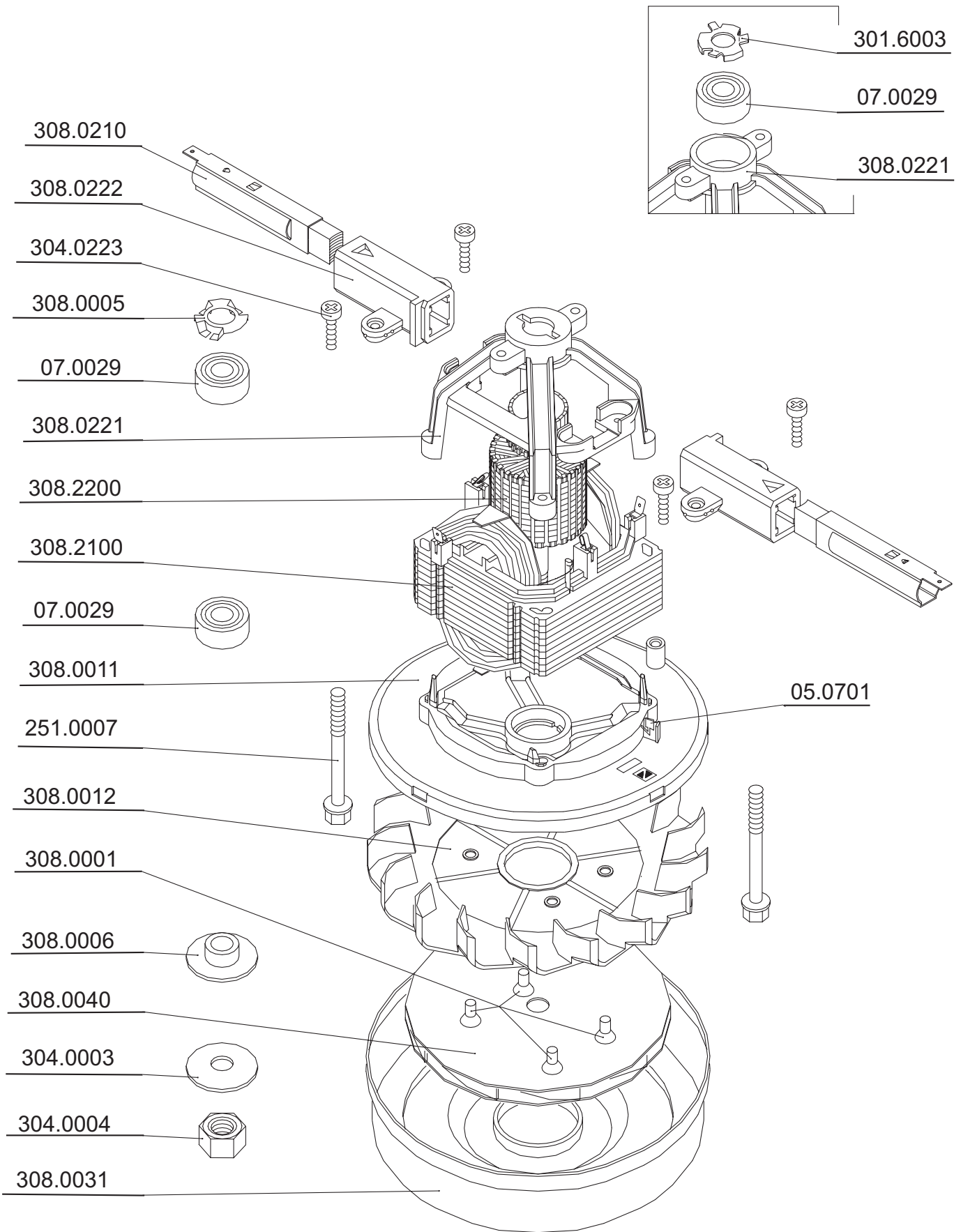


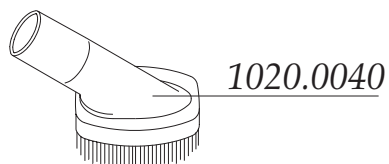
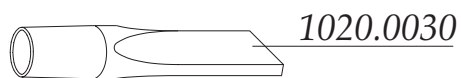
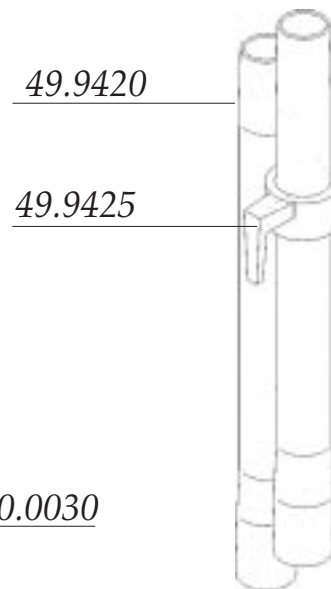
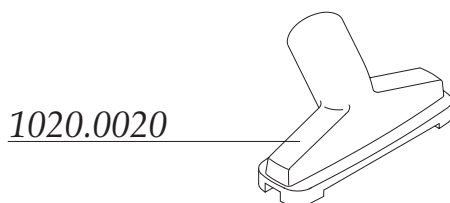
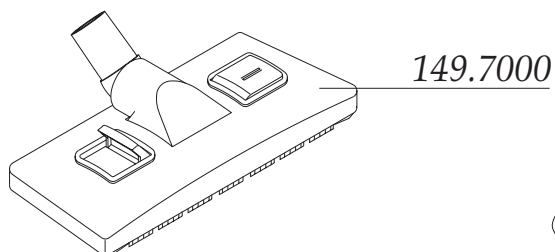
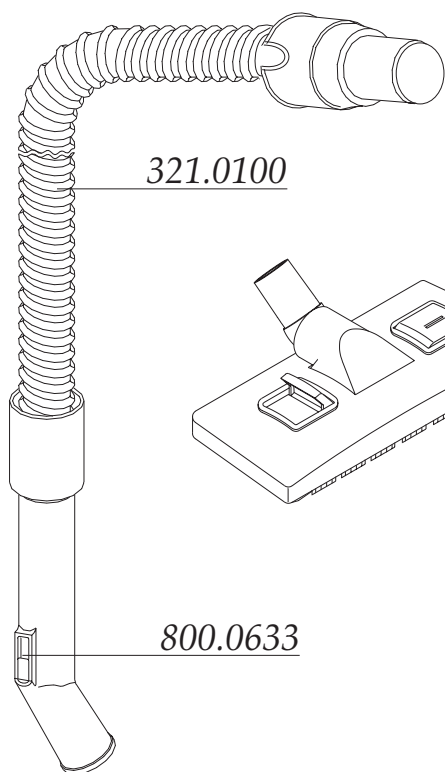
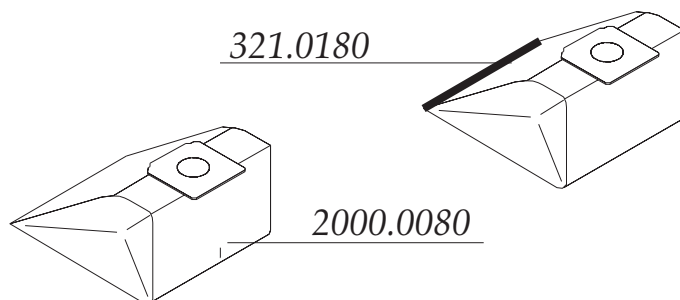
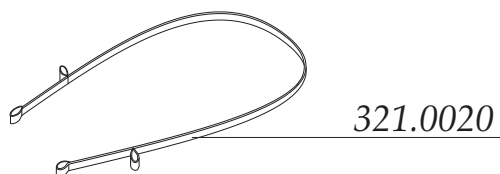
I VACUUM CLEANER ZELMER TYPE 321.6.E00E (COLOUR PANTONE 382C) / ZELMER HUNGARY



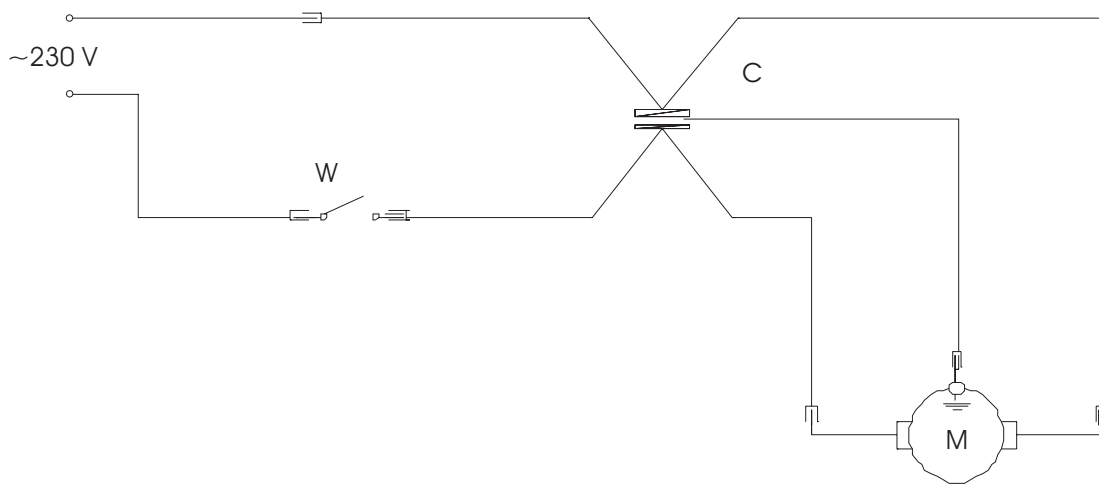
II SUCTION UNIT TYPE 308.2000



IV VACUUM CLEANER ACCESSORIES
ZELMER TYPE 321.6.E00E (COLOUR PANTONE 382C)
ZELMER HUNGARY



**V ELECTRICAL DIAGRAM OF THE VACUUM CLEANER
ZELMER TYPE 321.6.E00E (COLOUR PANTONE 382C)
ZELMER HUNGARY**



C - CAPACITOR
M - MOTOR
W - MAIN SWICH