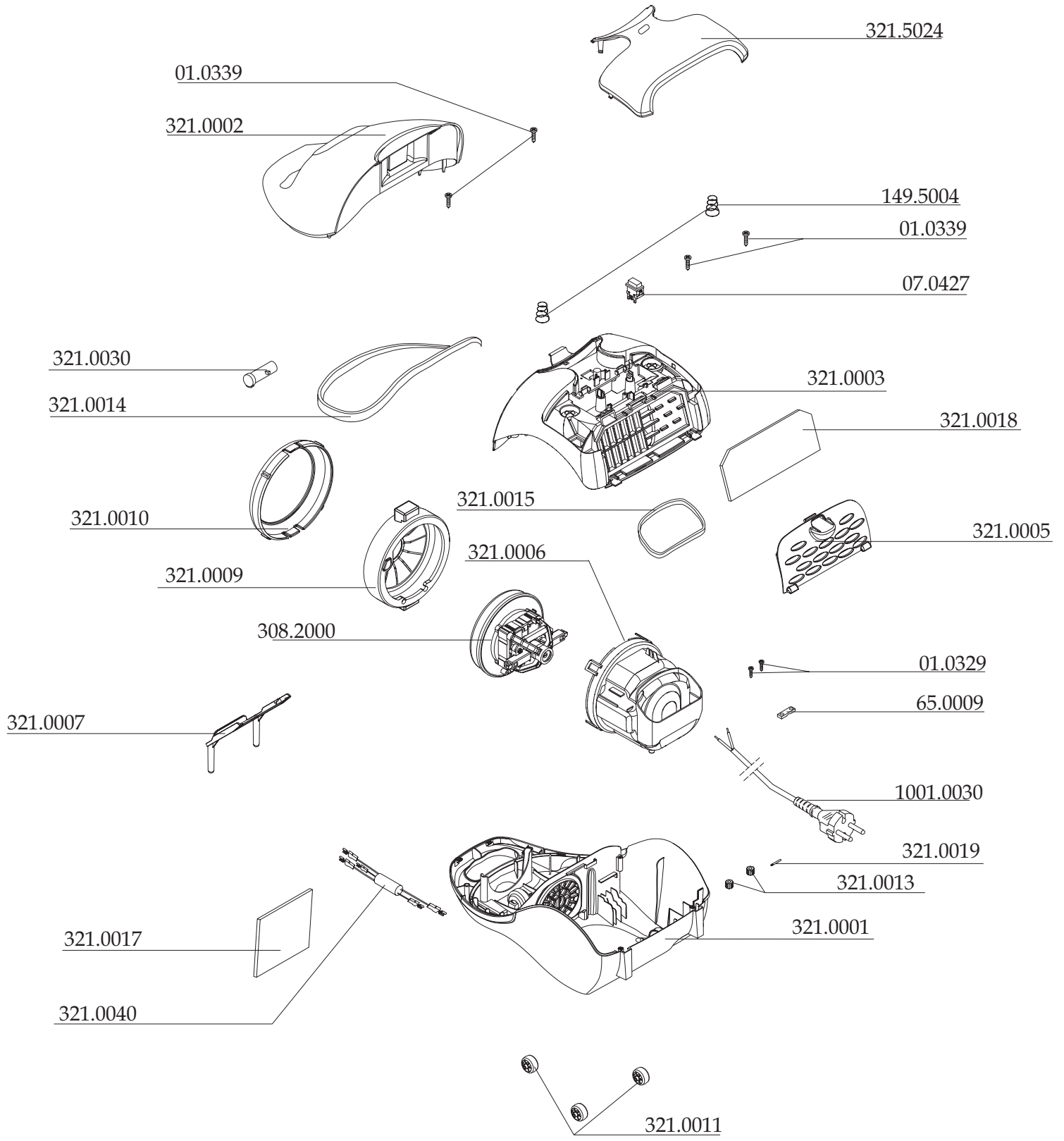
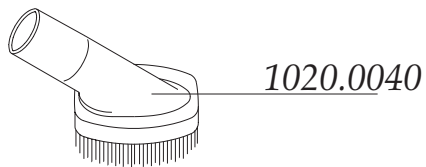
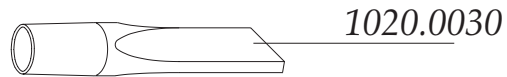
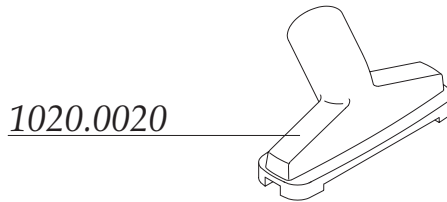
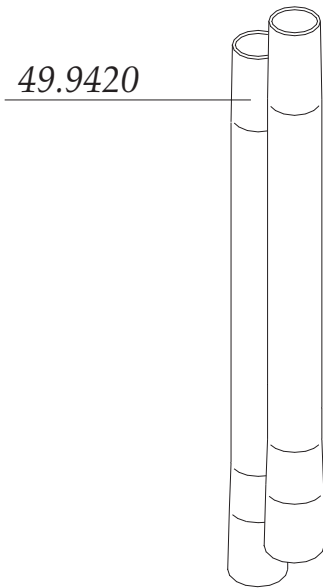
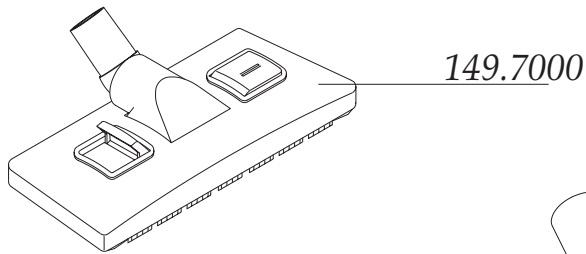
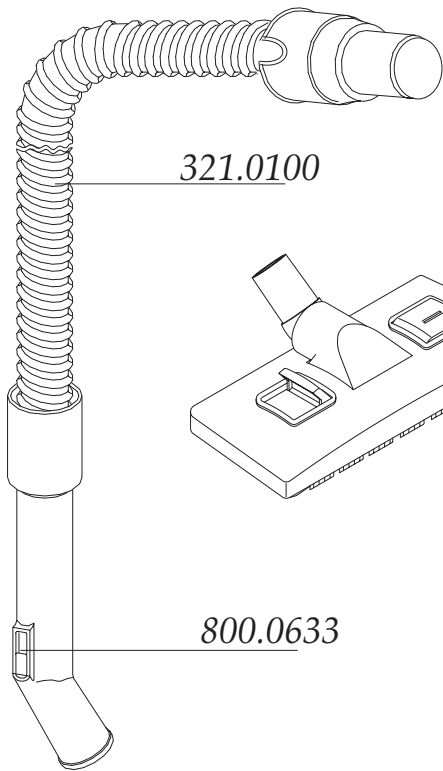
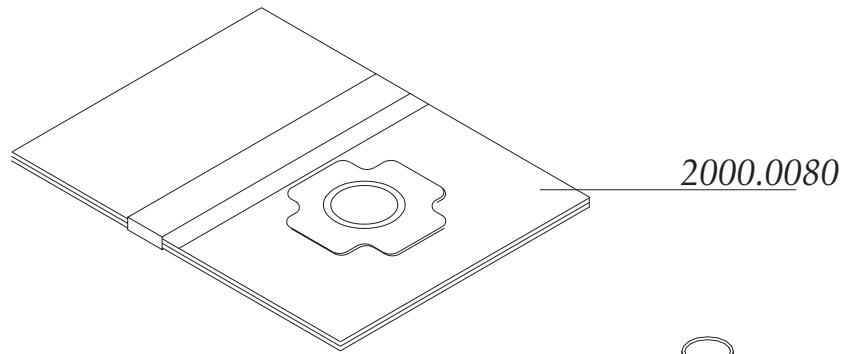
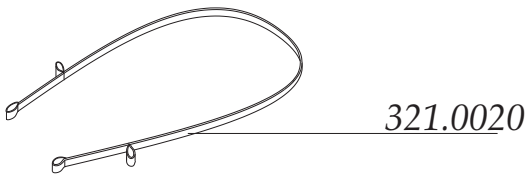


# I VACUUM CLEANER TYPE ZELMER 321.6.E00E (KOLOR PANTONE 265C) / ZELMER HUNGARY

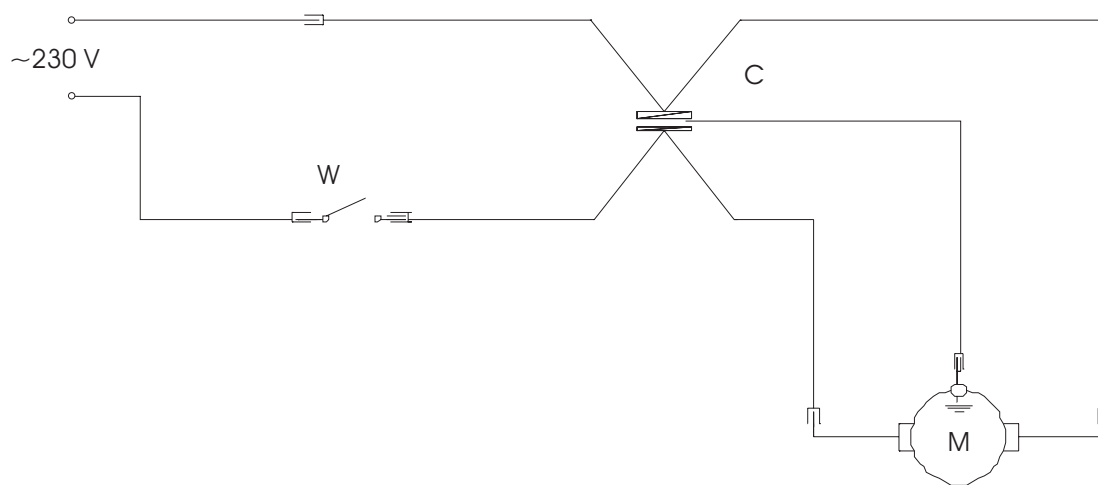




**IV VACUUM CLEANER ACCESSORIES**  
**TYPE ZELMER 321.6.E00E (KOLOR PANTONE 265C)**  
**ZELMER HUNGARY**



**V ELECTRICAL DIAGRAM OF THE VACUUM CLEANER  
TYPE ZELMER 321.6.E00E (KOLOR PANTONE 265C)  
ZELMER HUNGARY**



- C - CAPACITOR
- M - MOTOR
- W - MAIN SWICH