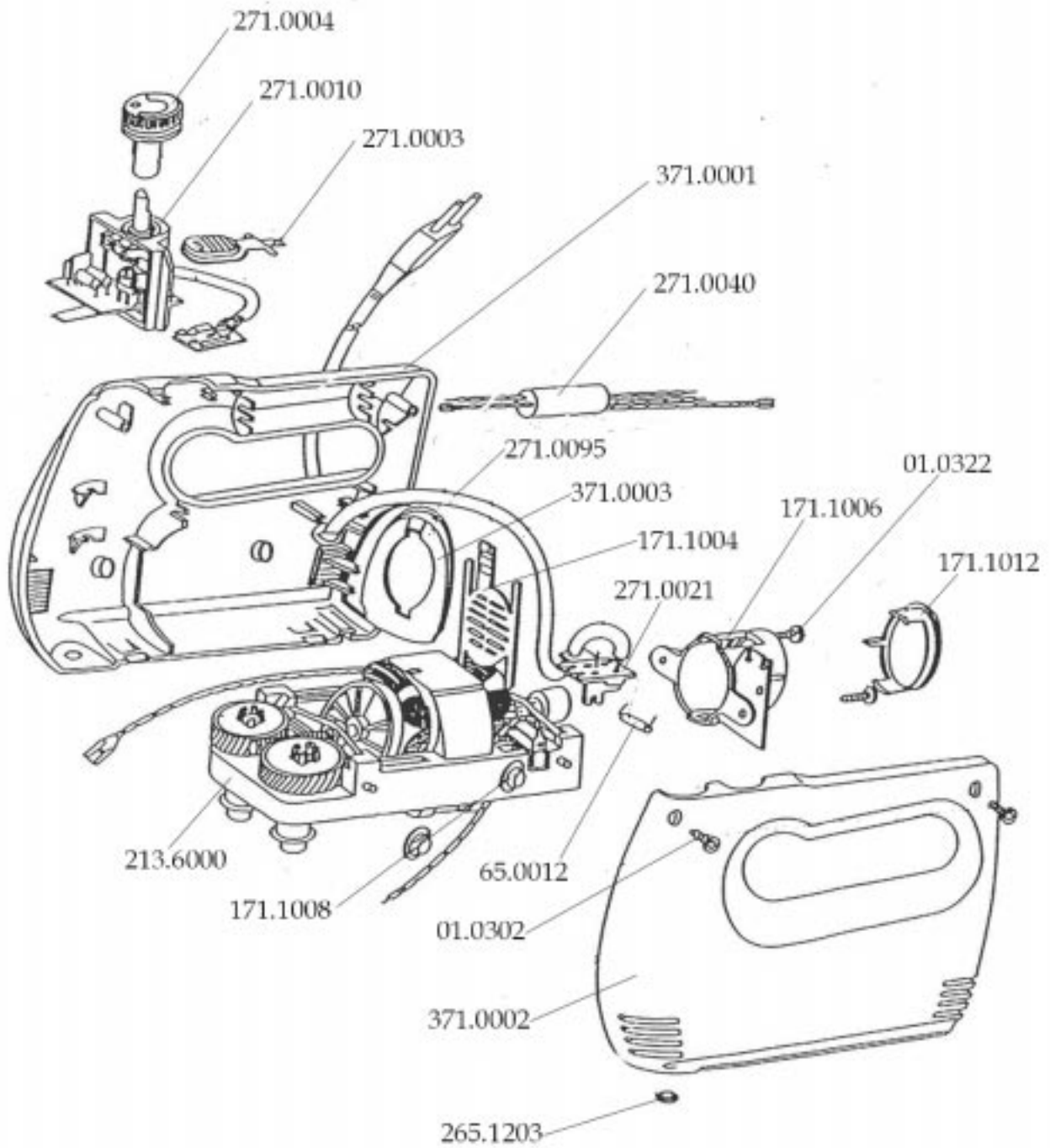
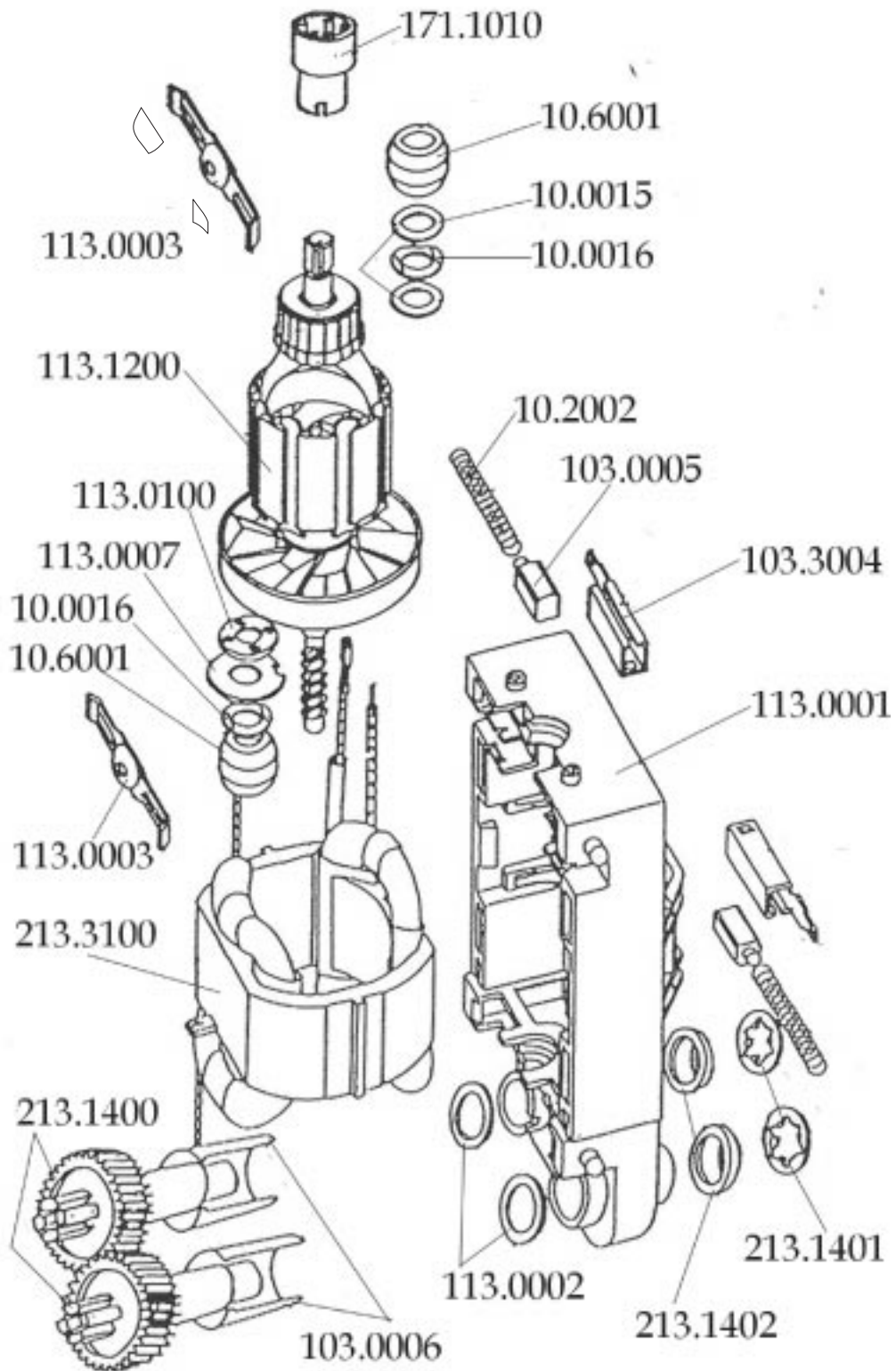


I MIXER TYPE 371.5 - ZELMER HUNGARY DRIVE UNIT

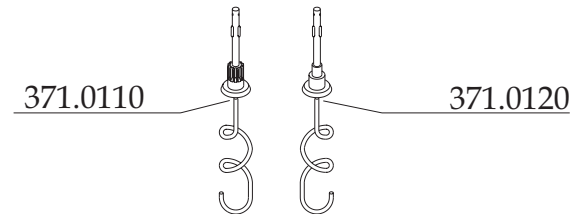
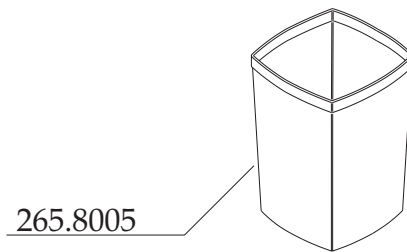
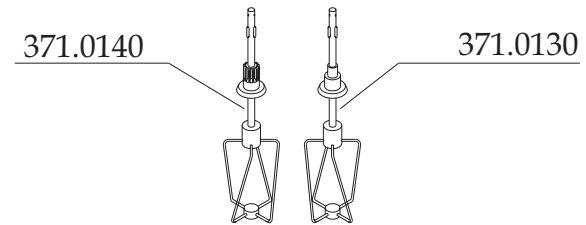
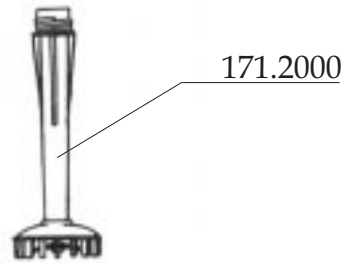


II MIXER TYPE 371.5 / ZELMER HUNGARY

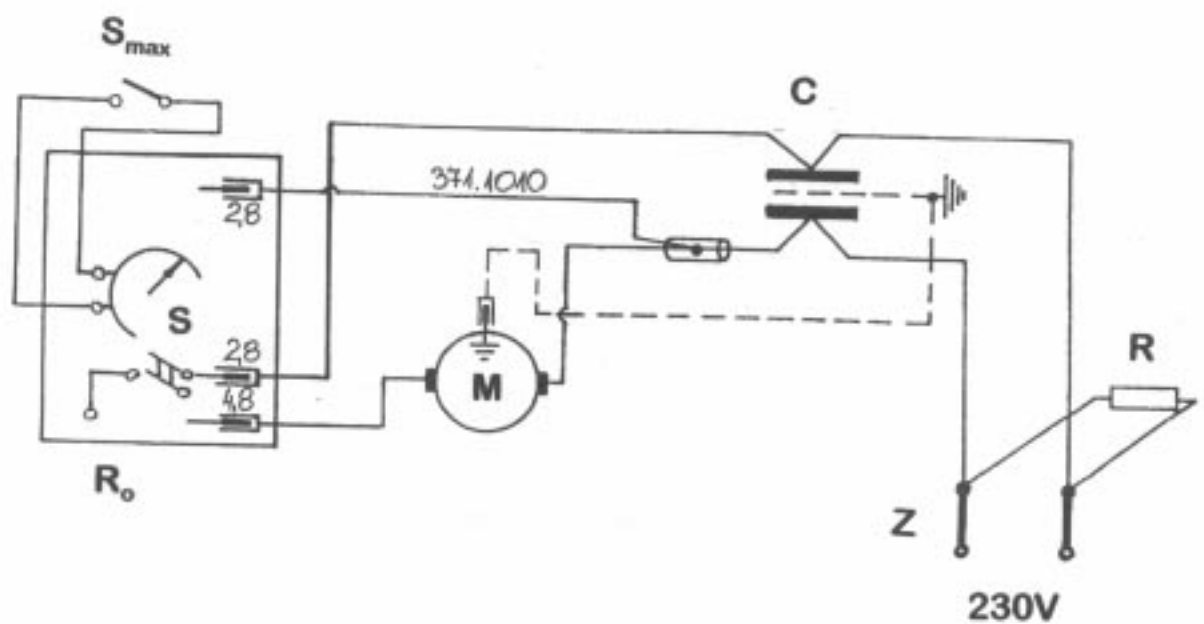
MOTOR 213.6000



III MIXER TYPE 371.5 / ZELMER HUNGARY ACCESSORIES



V MIXER TYPE 371.5 - ZELMER HUNGARY ELECTRIC DIAGRAM



- R₀ - speed control
- S_{max} - max speed switch
- S - main switch
- M - motor
- C - capacitor
- Z - special joint
- R - discharge resistor
- - soldered connection

IV MIXER TYPE 371.5 - ZELMER HUNGARY

ACCESSORIES 171.2000

