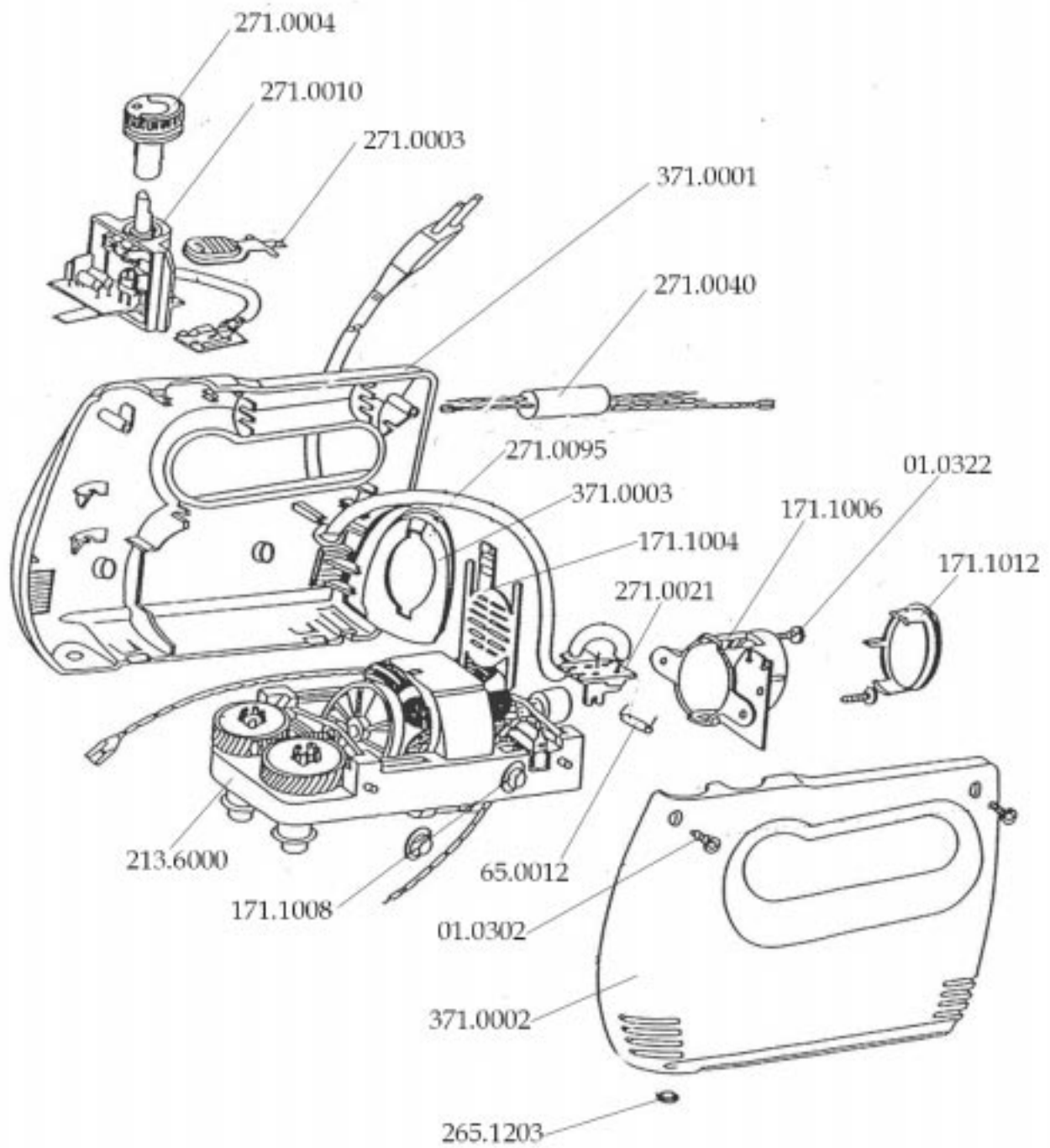
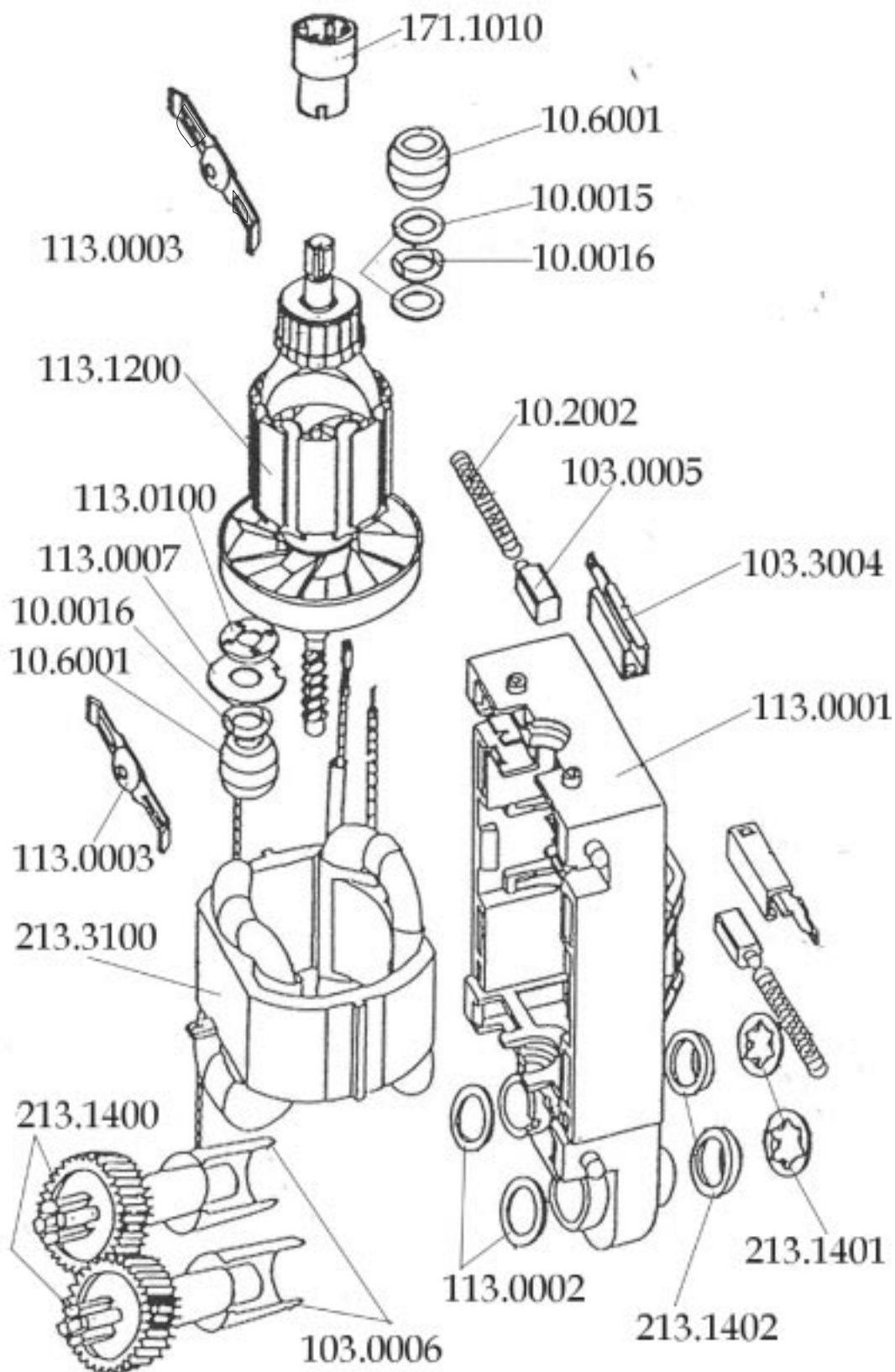


I MIXER 371.6 - ZELMER HUNGARY DRIVE UNIT

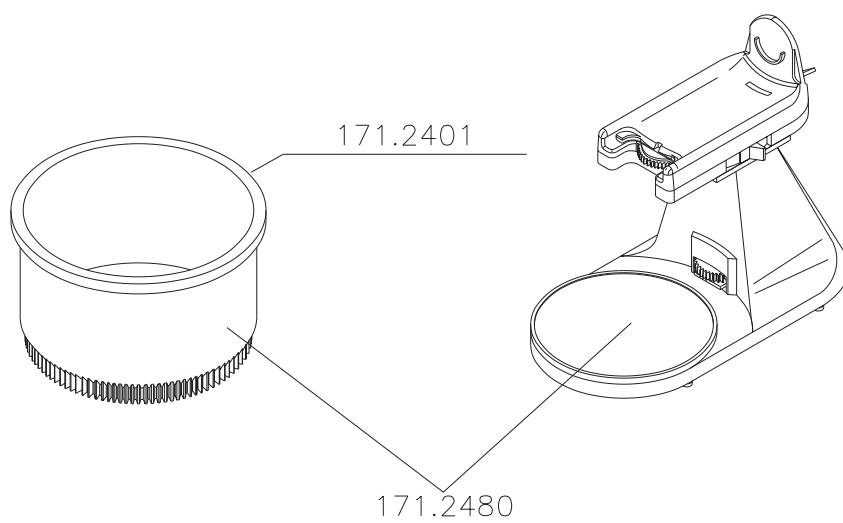
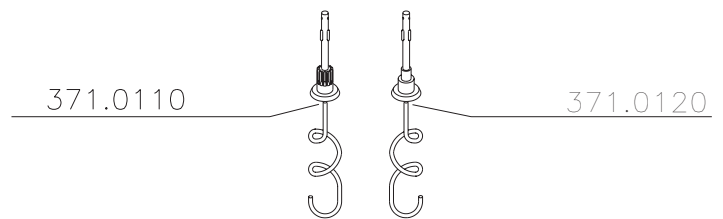
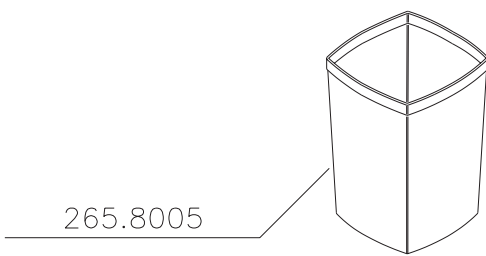
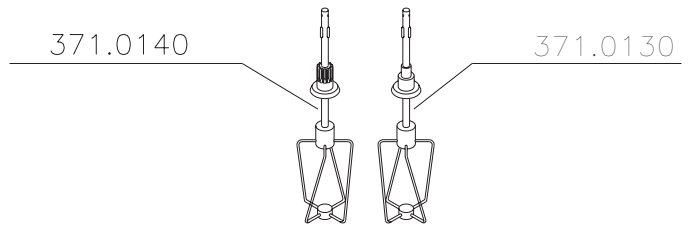
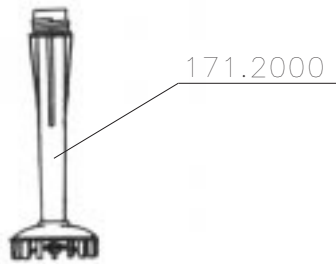


II MIXER 371.6 / ZELMER HUNGARY

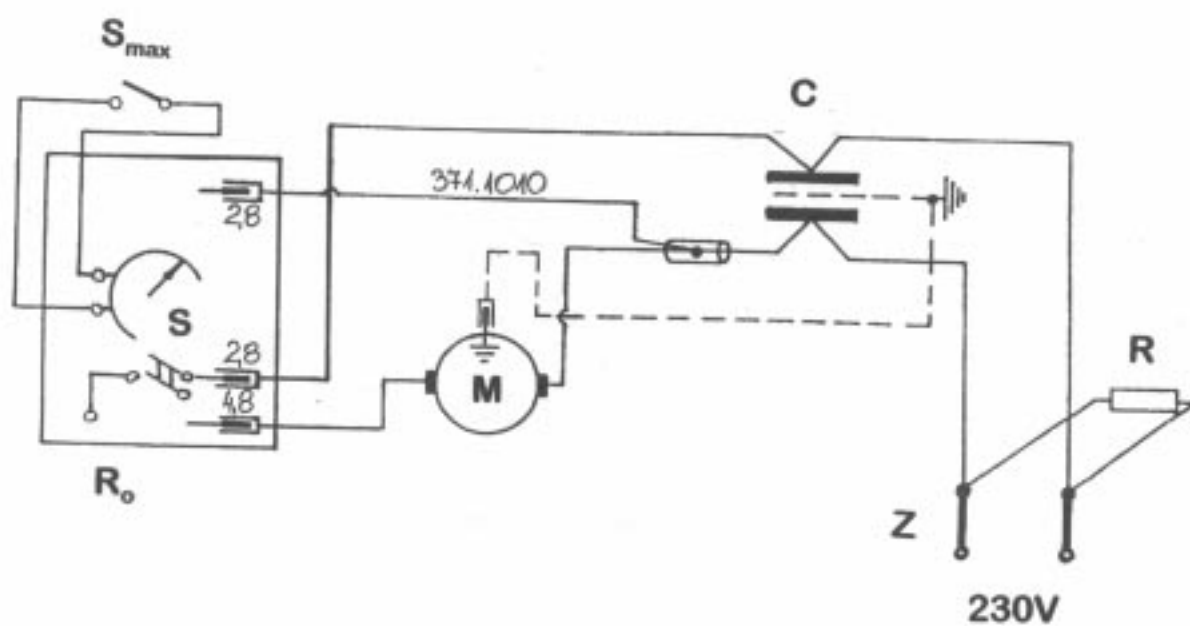
MOTOR 213.6000



III MIXER 371.6 / ZELMER HUNGARY ACCESSORIES



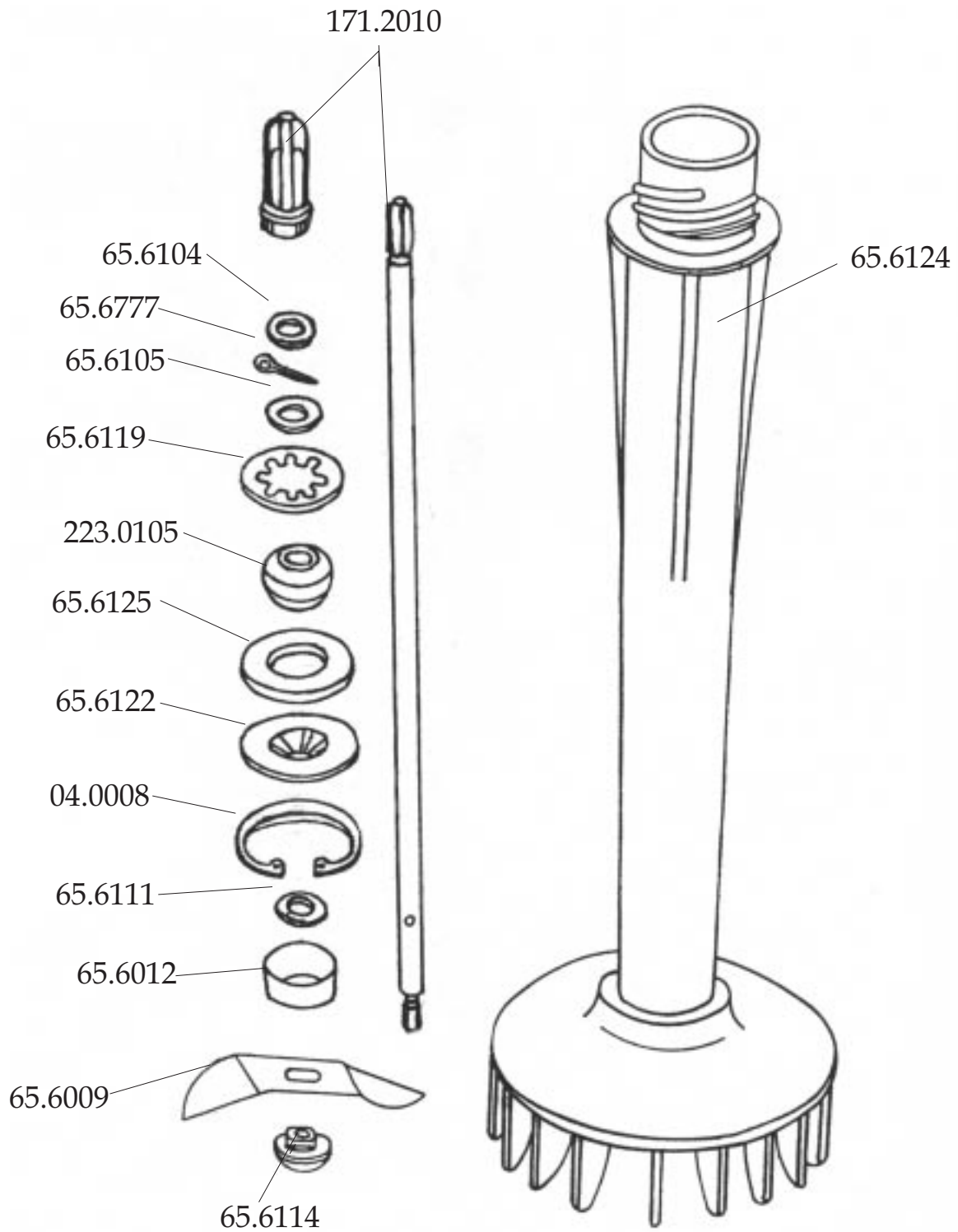
VI MIXER 371.6 - ZELMER HUNGARY ELECTRIC DIAGRAM



- R_0 - speed control
- S_{max} - max speed switch
- S - main switch
- M - motor
- C - capacitor
- Z - special joint
- R - discharge resistor
- - - soldered connection

V MIXER 371.6 - ZELMER HUNGARY

ACCESSORIES 171.2000



IV MIXER 371.6 / ZELMER HUNGARY

ACCESSORIES 171.2480

