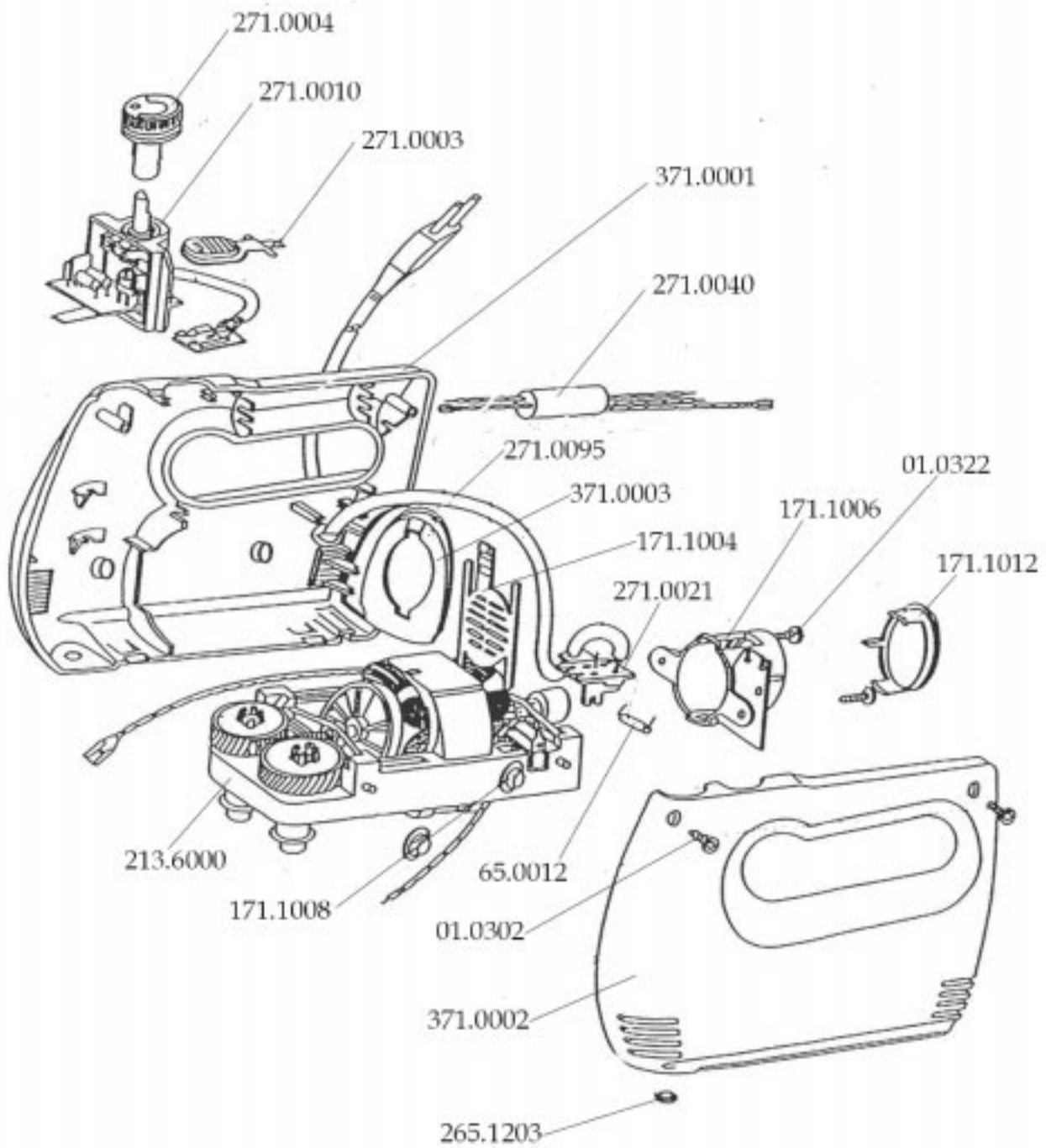
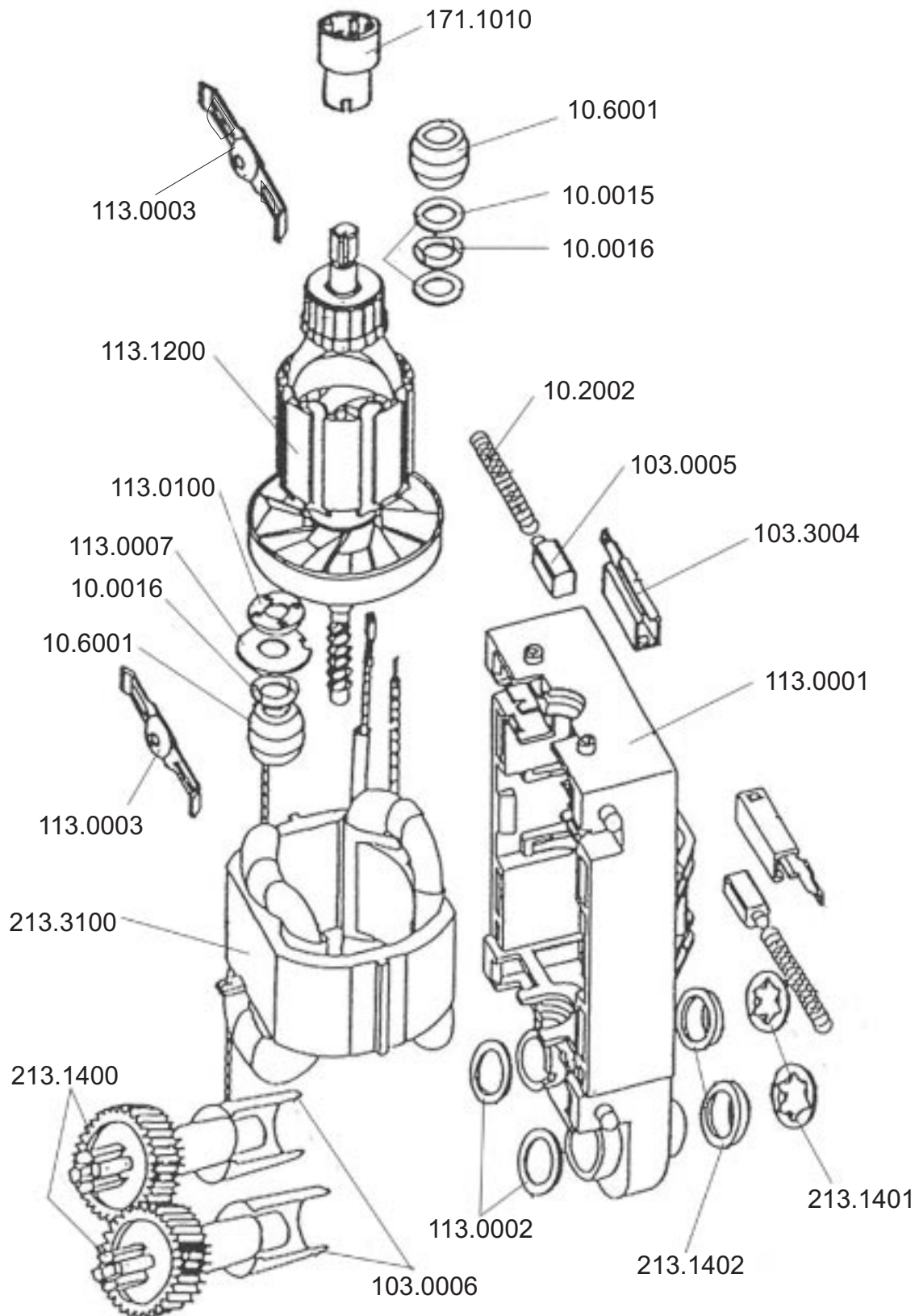


I MIXER 371.7 - ZELMER HUNGARY DRIVE UNIT

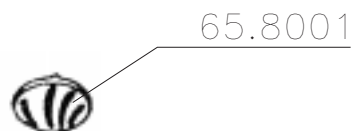
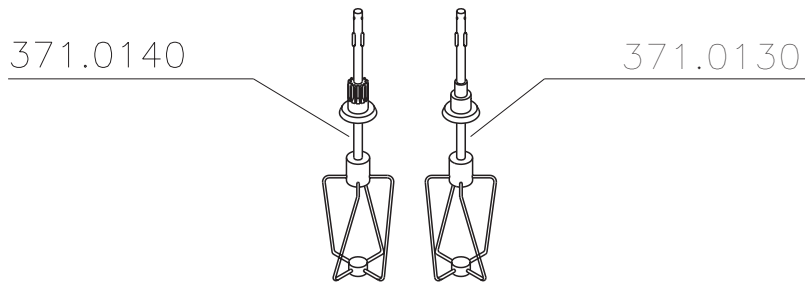
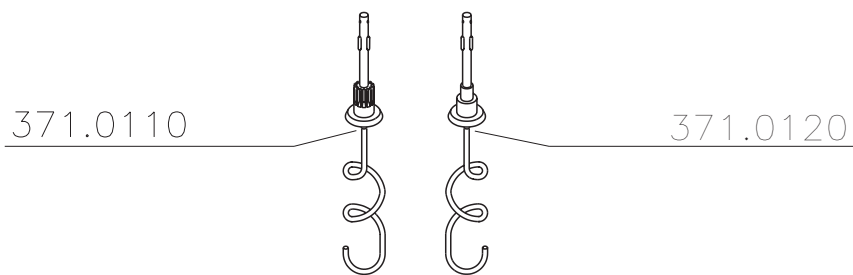


II MIXER 371.7 / ZELMER HUNGARY

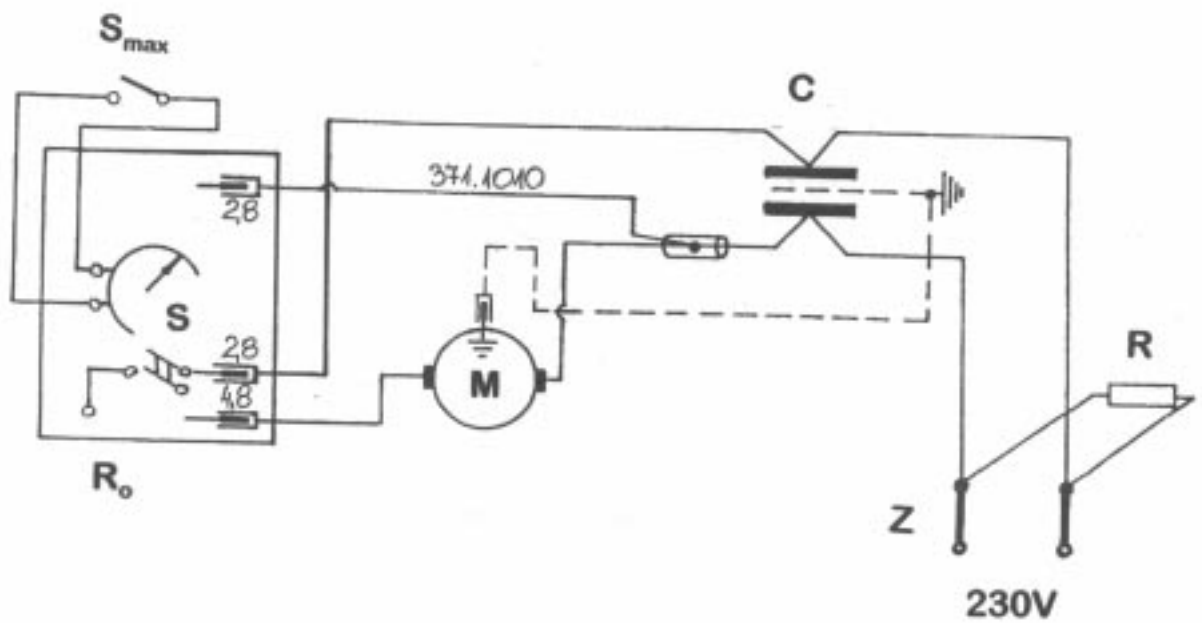
MOTOR 213.6000



III MIXER 371.7 / ZELMER HUNGARY ACCESSORIES



IV MIXER 371.7 - ZELMER HUNGARY ELECTRIC DIAGRAM



- R_0 - speed control
- S_{max} - max speed switch
- S - main switch
- M - motor
- C - capacitor
- Z - special joint
- R - discharge resistor
- - - soldered connection