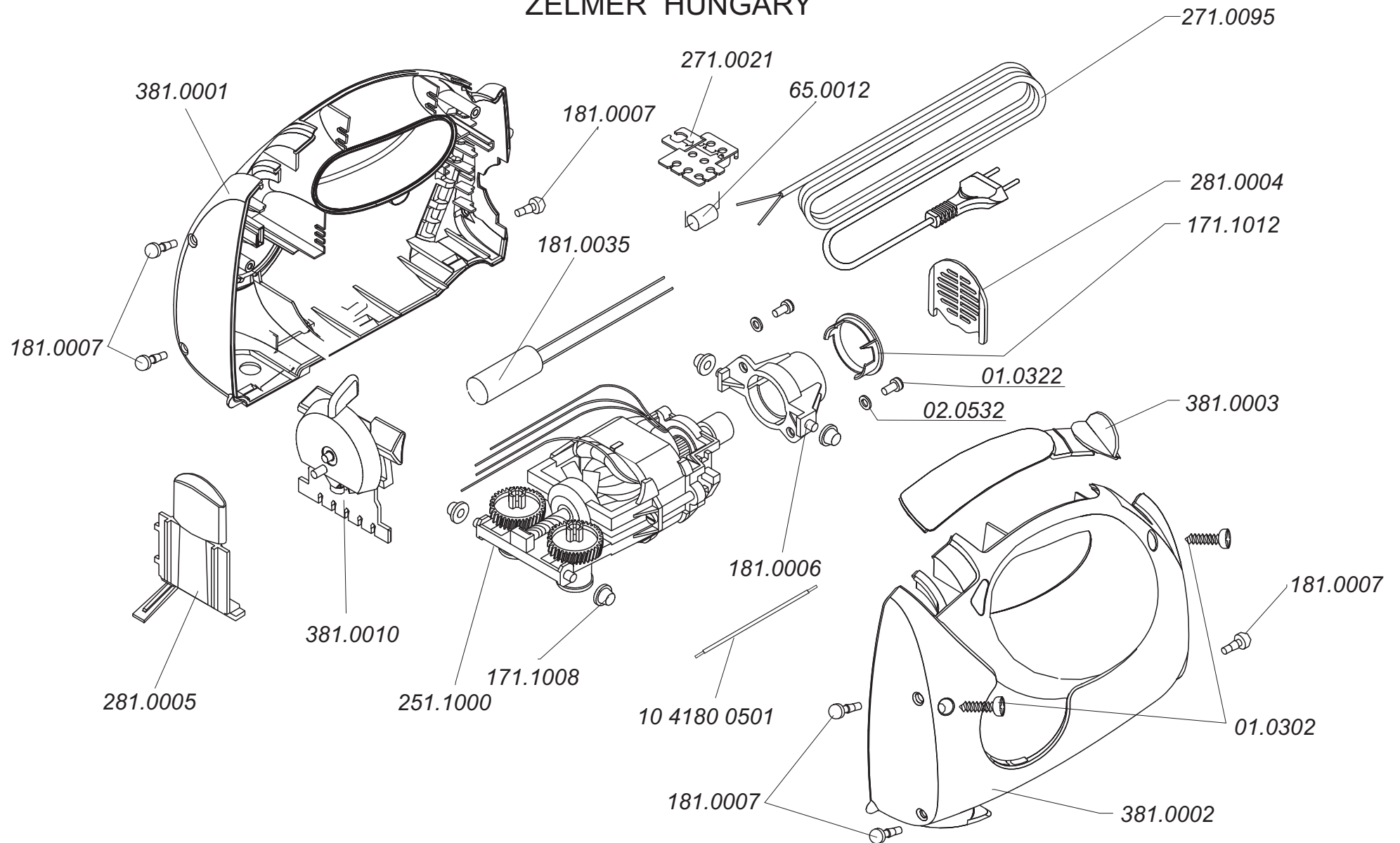
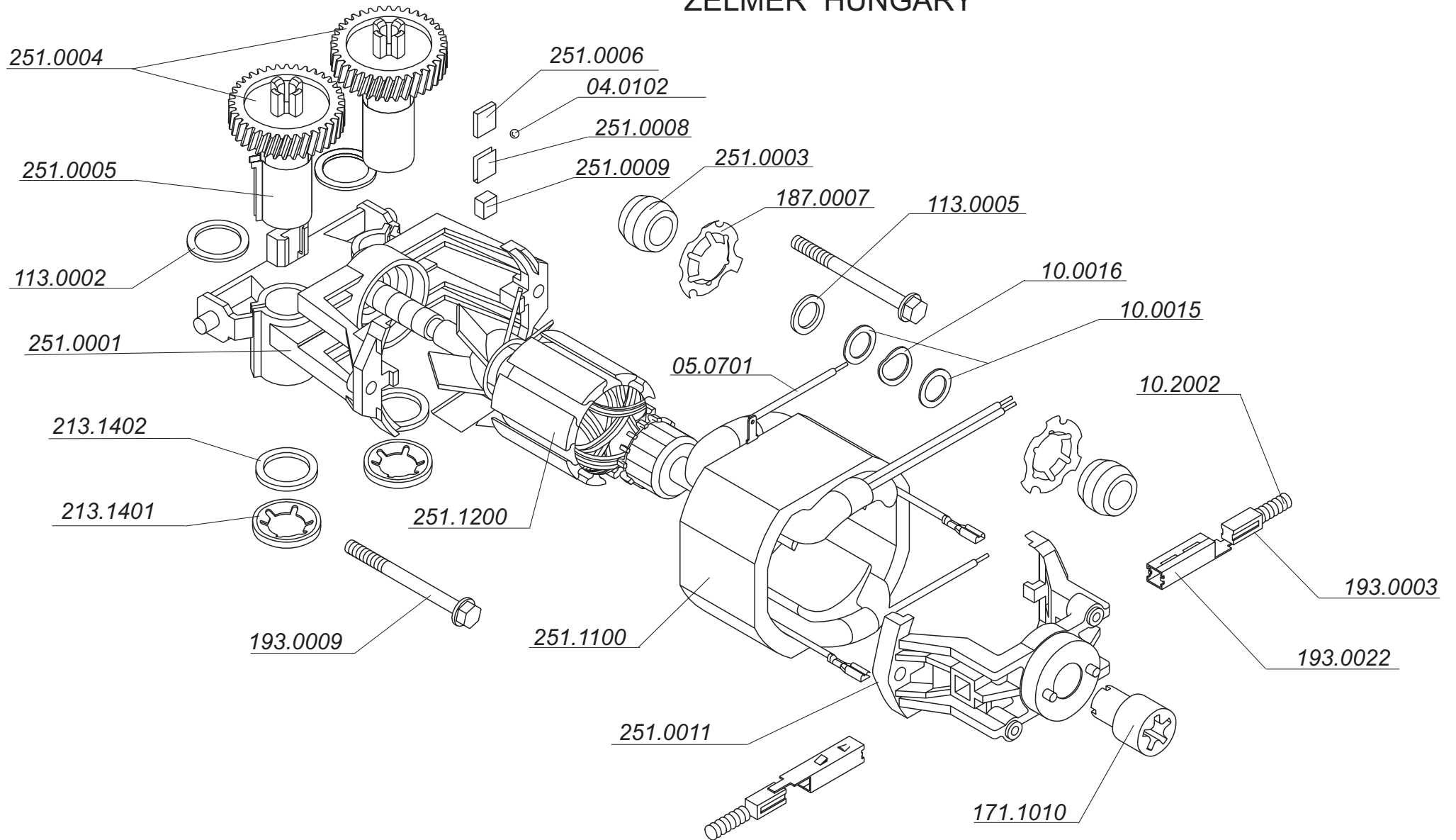


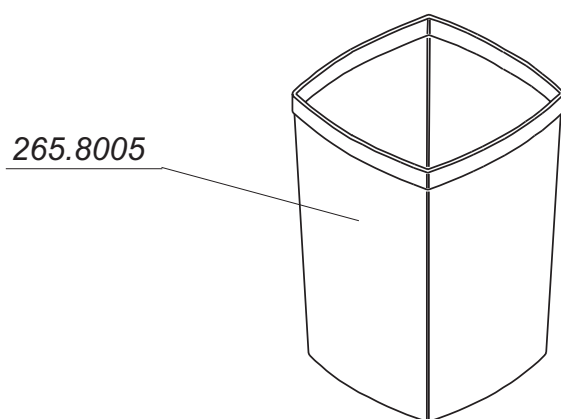
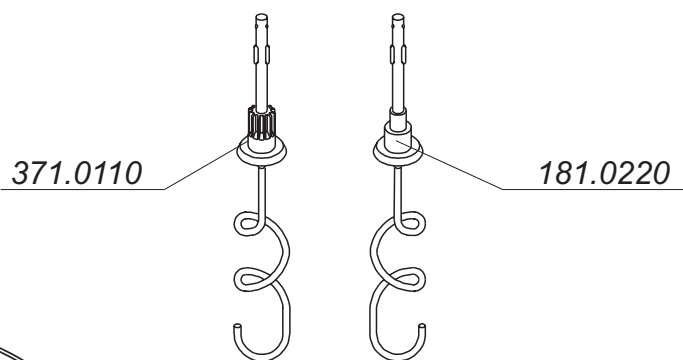
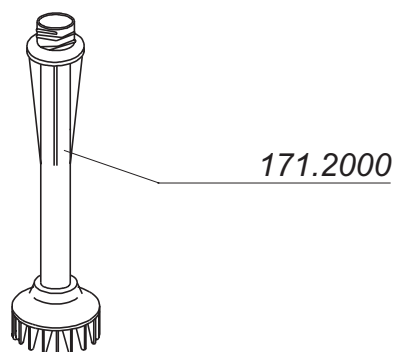
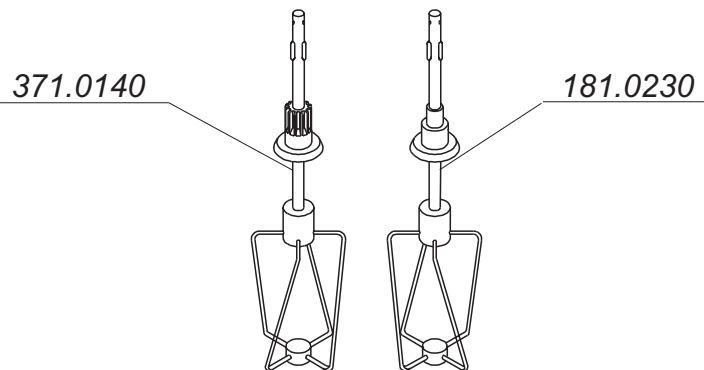
MIXER 381.5 - DRIVE UNIT (LAPIS LINE) ZELMER HUNGARY



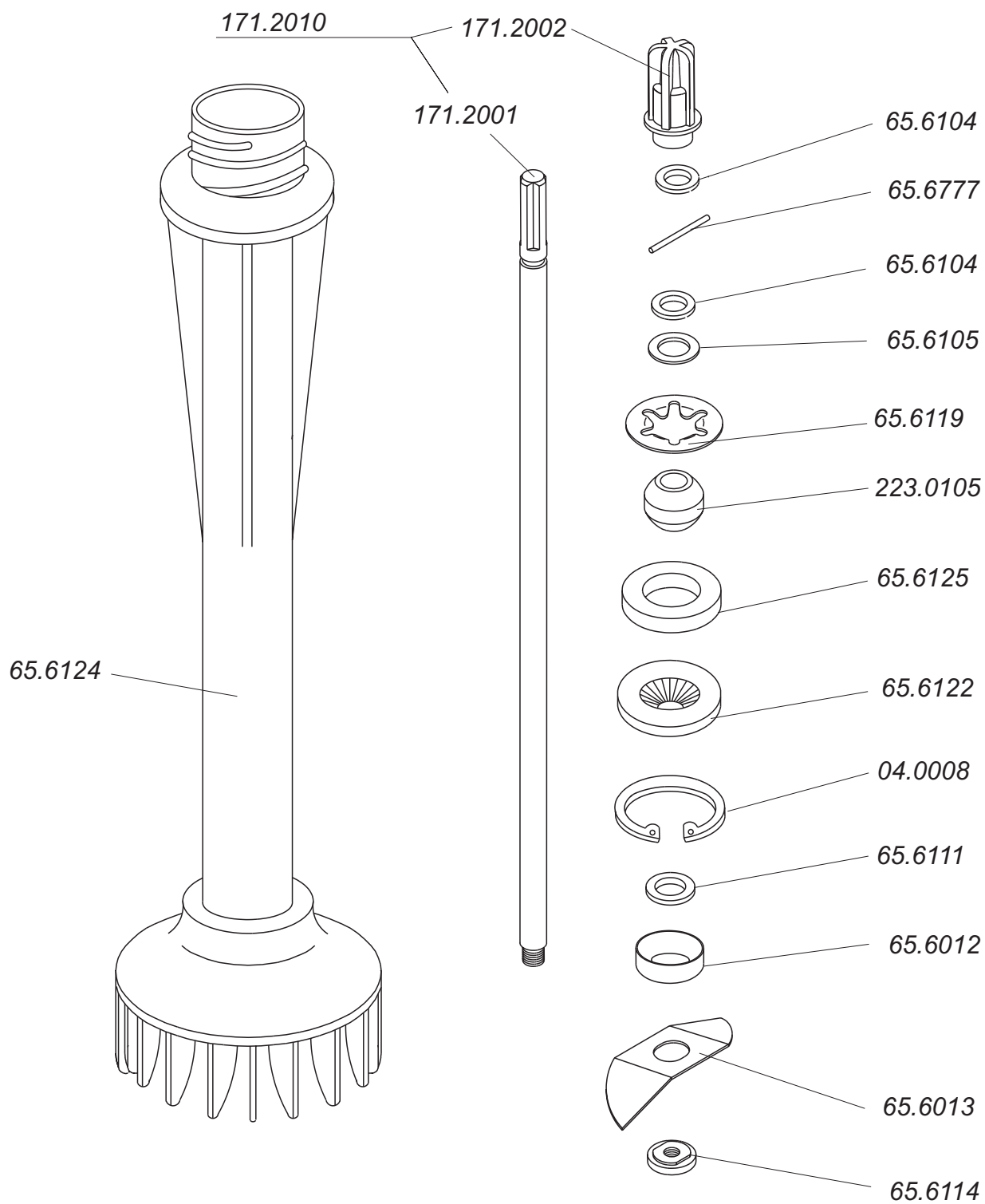
|| MIXER 381.5 - MOTOR 251.1000 ZELMER HUNGARY



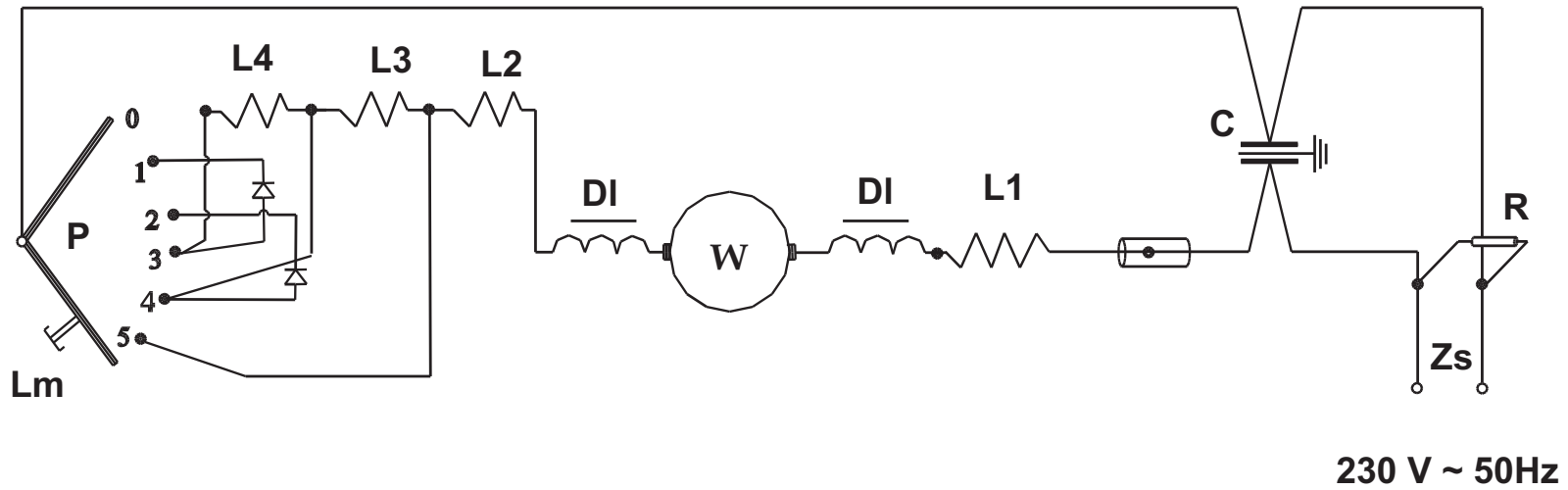
||| MIXER 381.5 - ACCESSORIES ZELMER HUNGARY



IV MIXER 381.5 - ACCESSORIES 171.2000 ZELMER HUNGARY



V MIXER TYPE 381.5 ELECTRIC DIAGRAM ZELMER HUNGARY



- W - rotor
- C - capacitor
- R - resistor 1 MΩ
- L1 -L4 - stator coils
- Lm - turbo switch
- Zs - special joint
- P - switch
- DI - choke