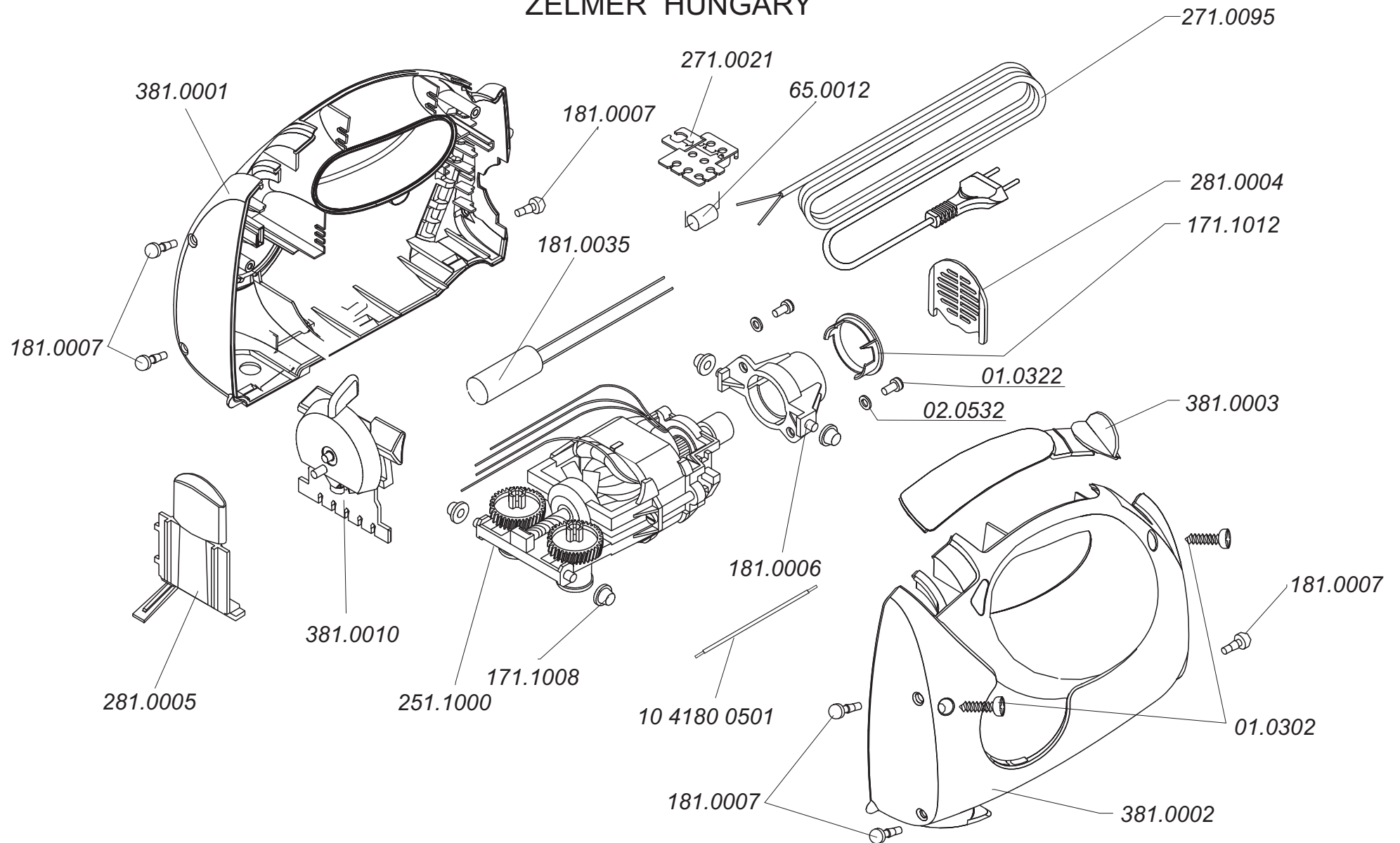
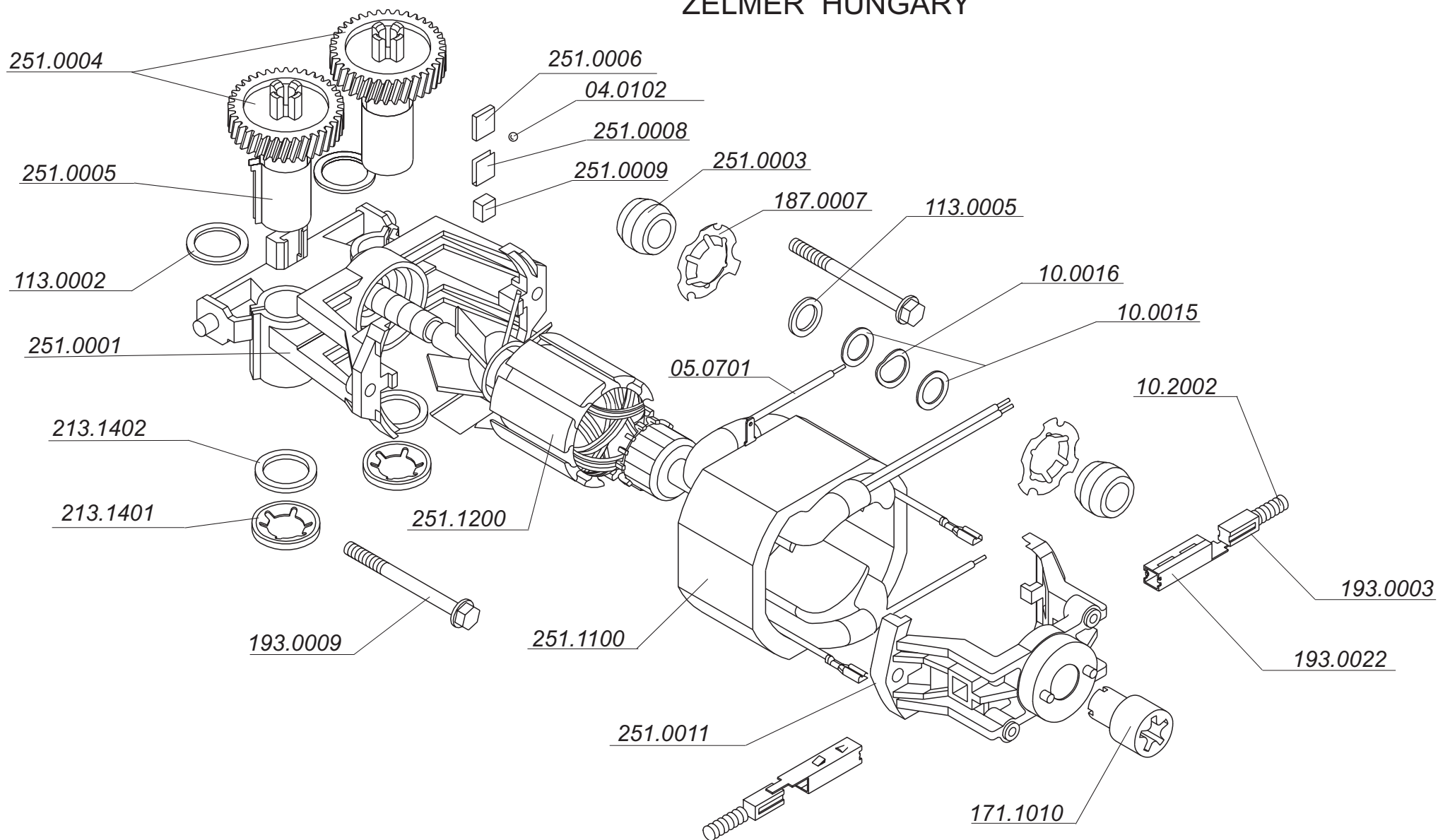


MIXER 381.6 - DRIVE UNIT (LAPIS LINE) ZELMER HUNGARY

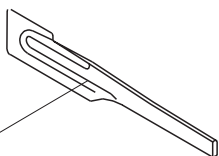


|| MIXER 381.6 - MOTOR 251.1000 ZELMER HUNGARY

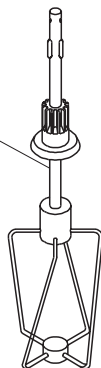


III MIXER 381.6 - ACCESSORIES ZELMER HUNGARY

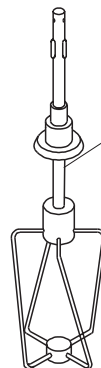
875.0035



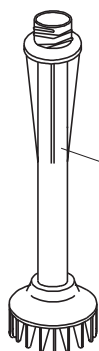
371.0140



181.0230



171.2000



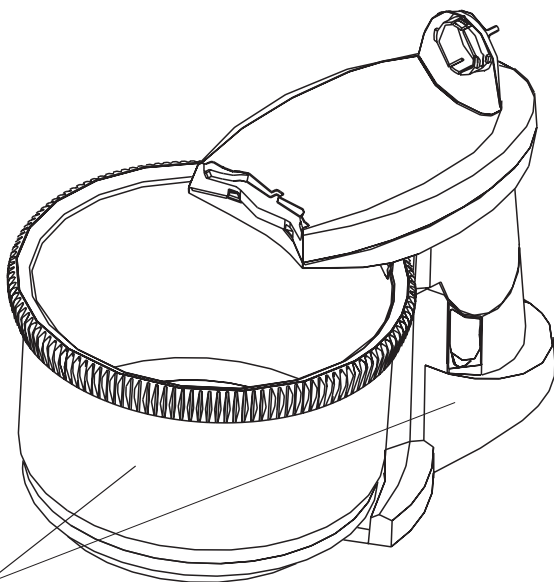
371.0110



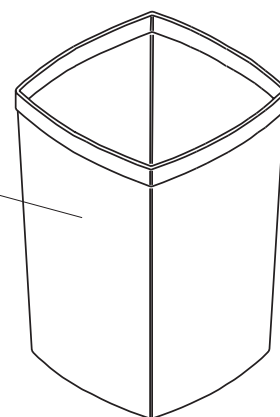
181.0220



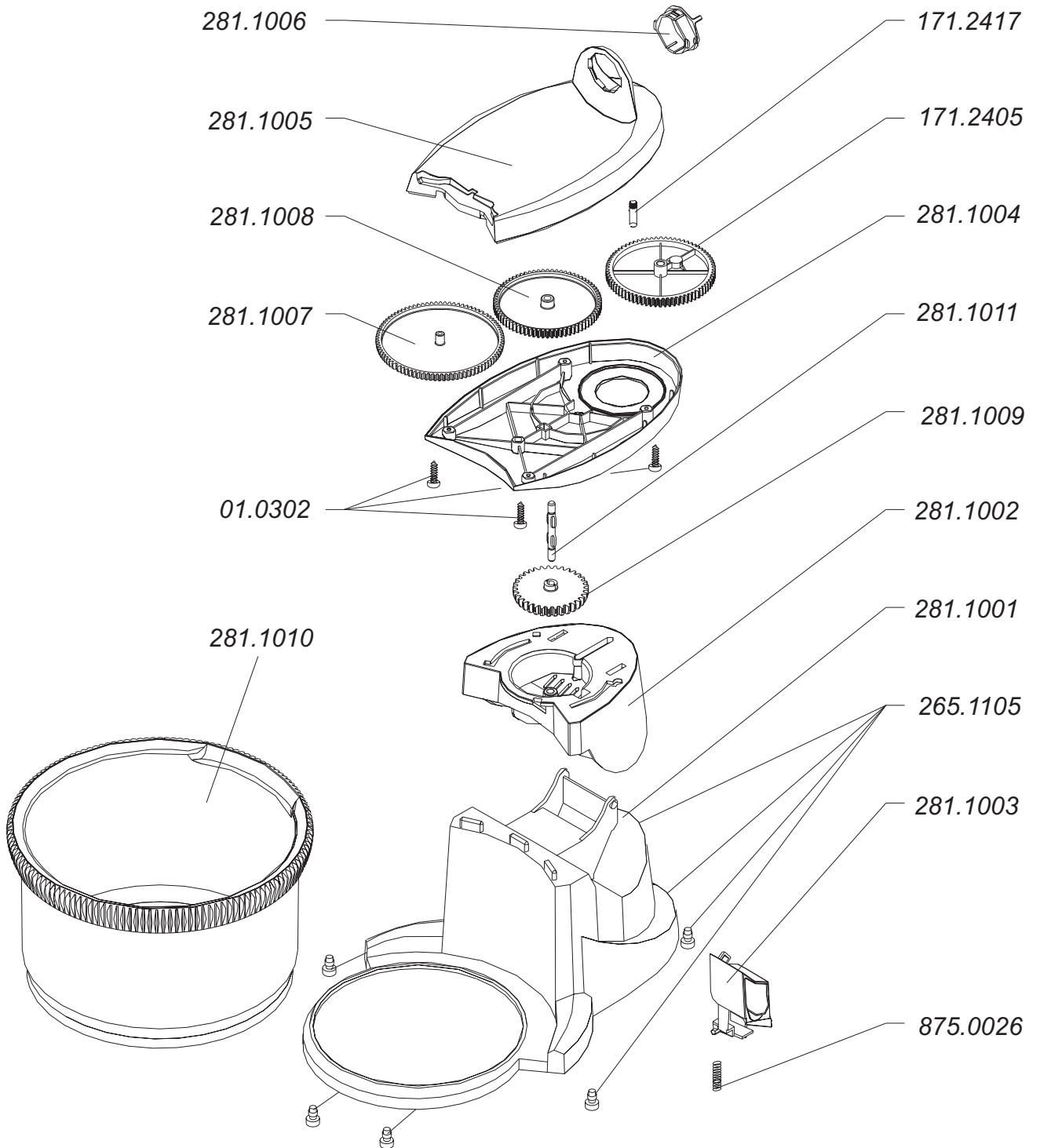
281.1000



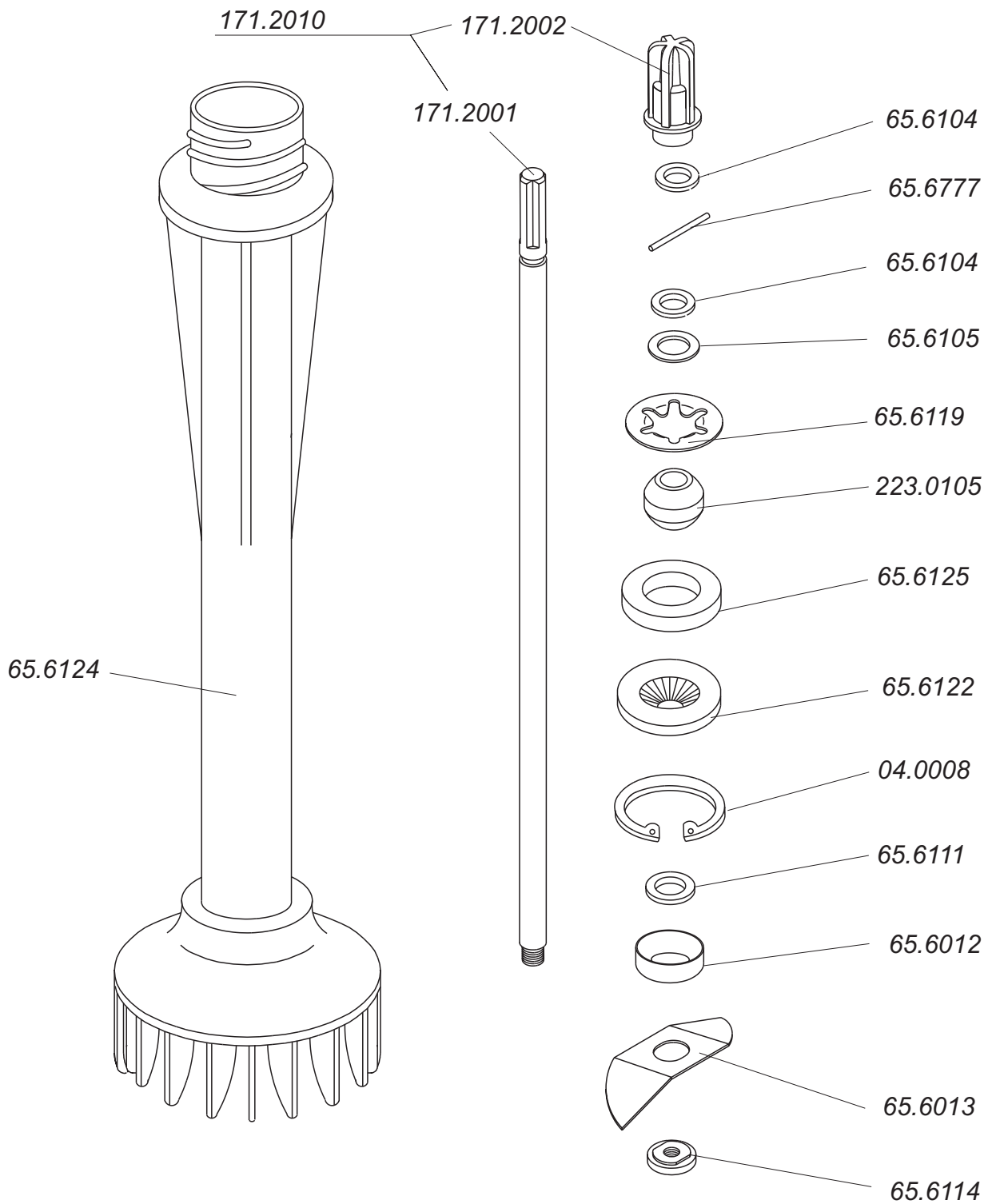
265.8005



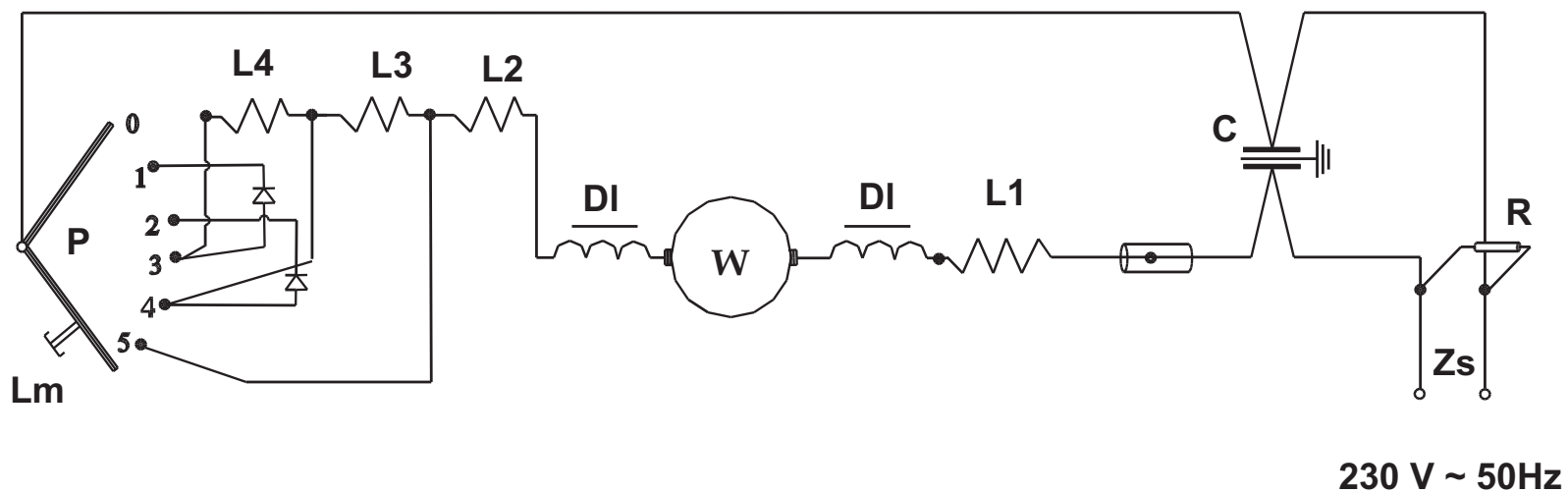
IV MIXER 381.6 - ACCESSORIES 281.1000 ZELMER HUNGARY



V MIXER 381.6 - ACCESSORIES 171.2000 ZELMER HUNGARY



VI MIXER TYPE 381.6 ELECTRIC DIAGRAM ZELMER HUNGARY



- W - rotor
- C - capacitor
- R - resistor 1 M Ω
- L1 -L4 - stator coils
- Lm - turbo switch
- Zs - special joint
- P - switch
- DI - choke