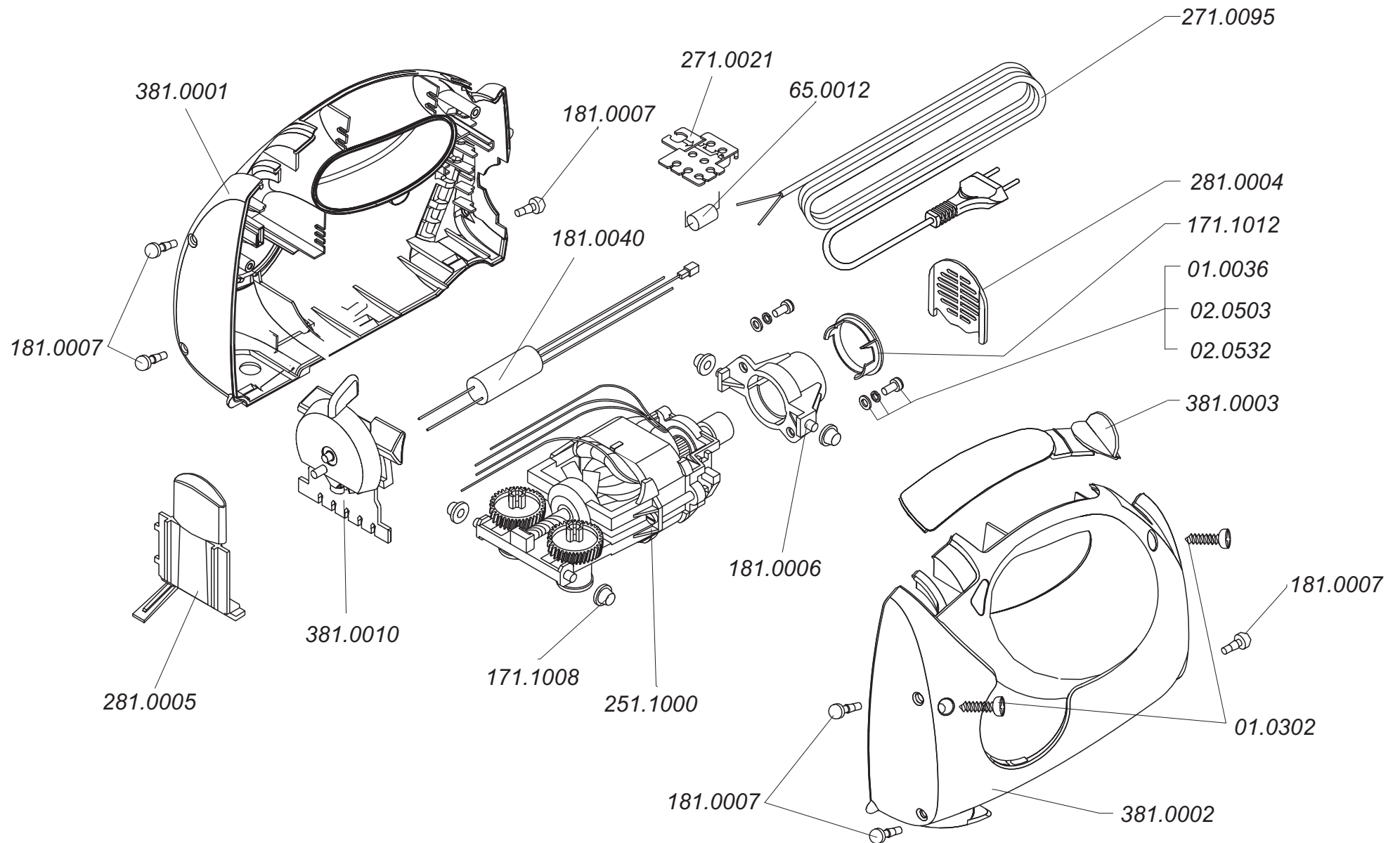
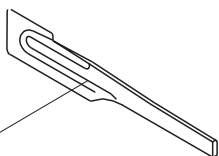


MIXER 381.6 - DRIVE UNIT ZELMER HUNGARY

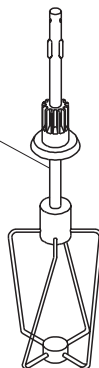


II MIXER 381.6 - ACCESSORIES ZELMER HUNGARY

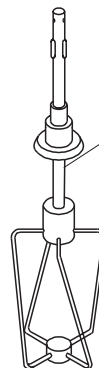
875.0035



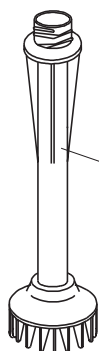
371.0140



181.0230



171.2000



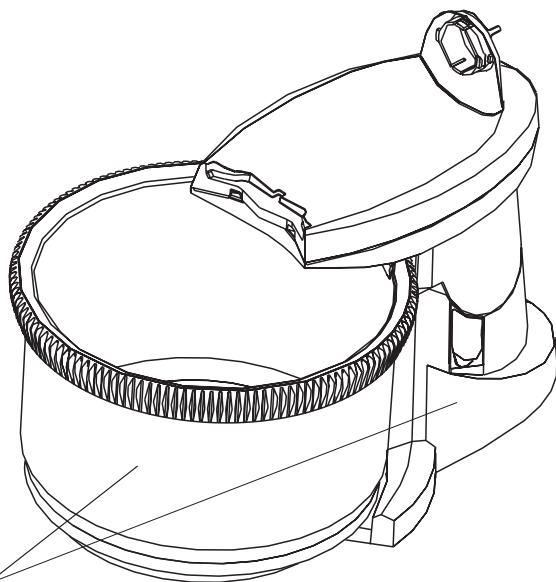
371.0110



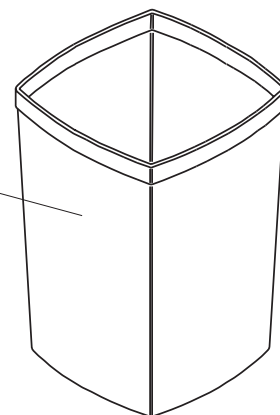
181.0220



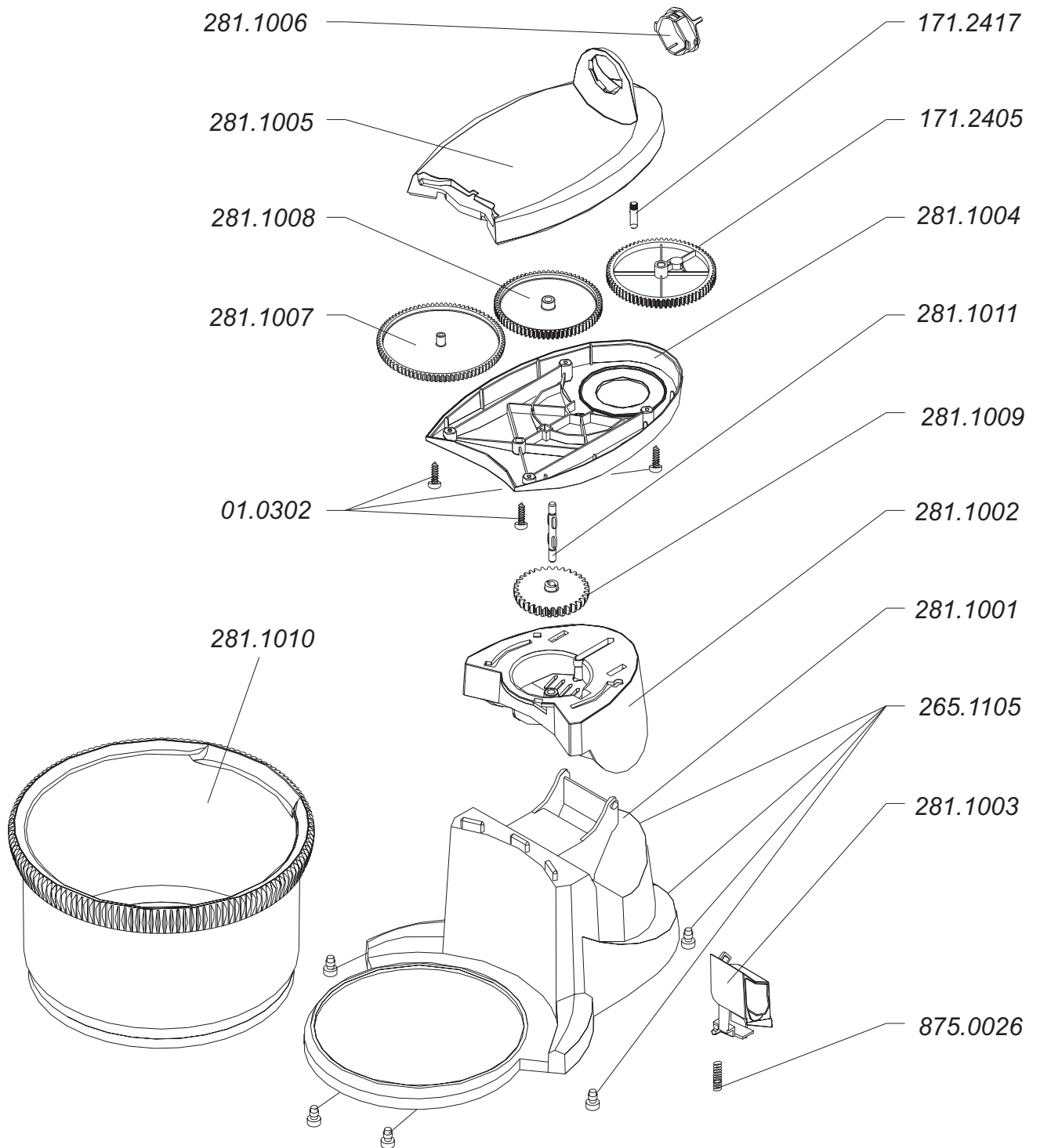
281.1000



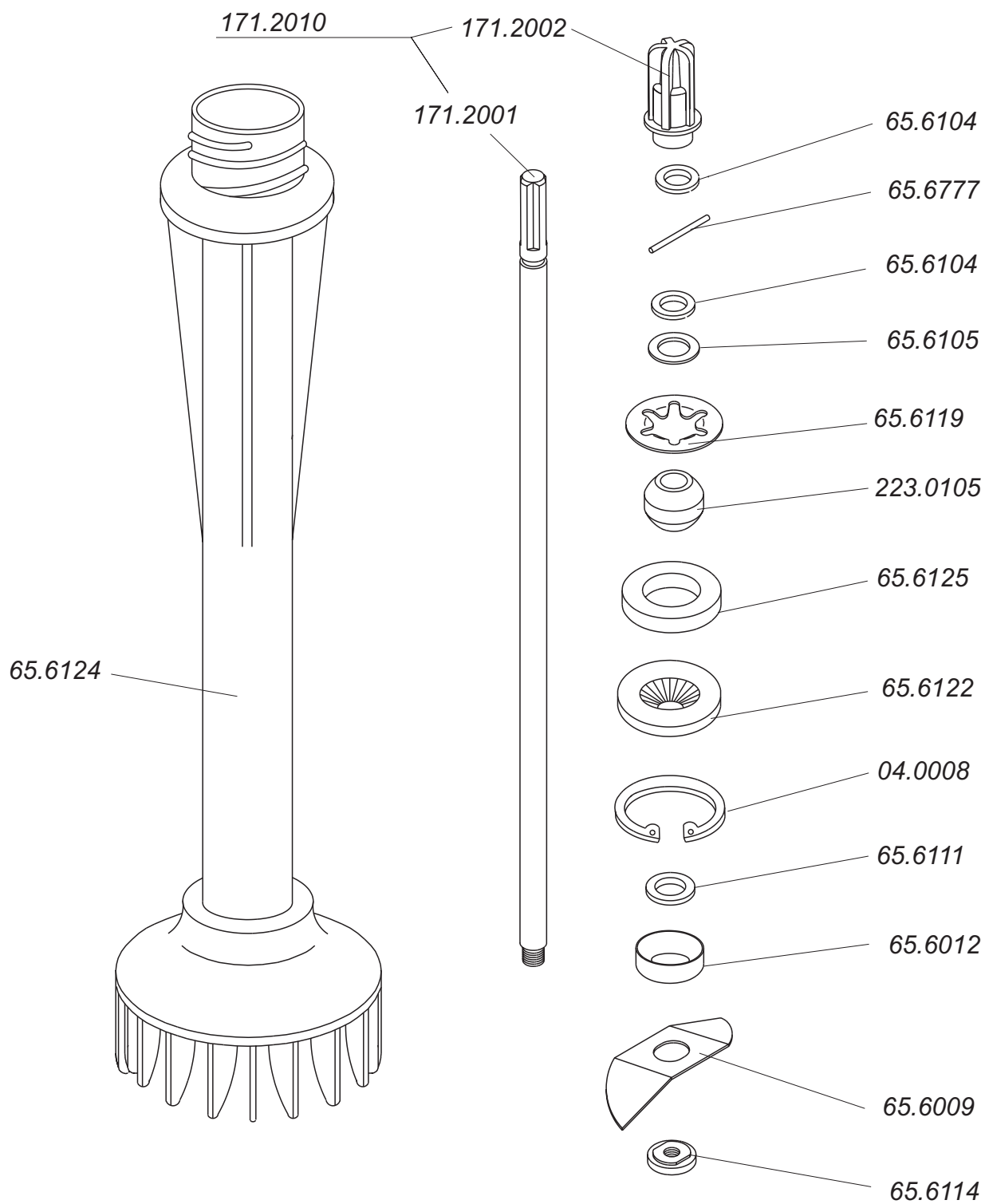
265.8005



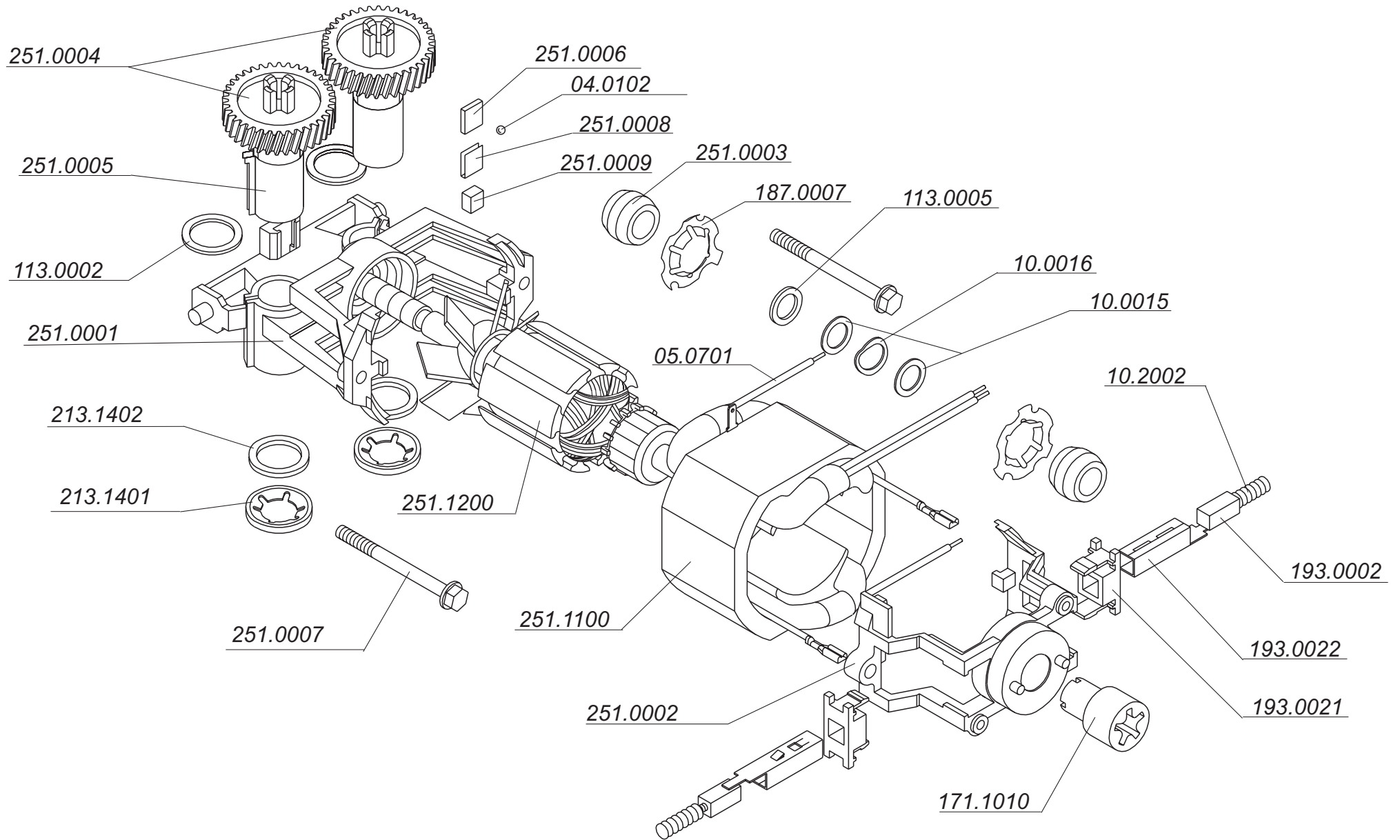
**||| MIXER 381.6 - ACCESSORIES 281.1000
ZELMER HUNGARY**



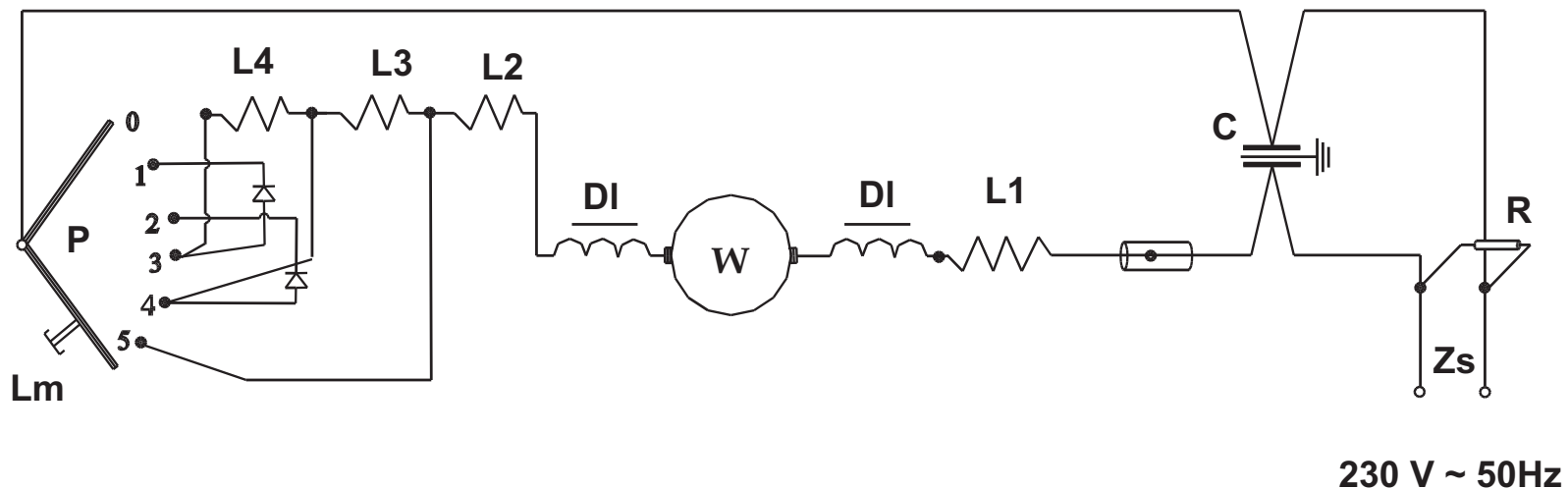
IV MIXER 381.6 - ACCESSORIES 171.2000 ZELMER HUNGARY



V MIXER 381.6 / ZELMER HUNGARY MOTOR 251.1000



VI MIXER TYPE 381.6 / ZELMER HUNGARY ELECTRIC DIAGRAM



- W - rotor
- C - capacitor
- R - resistor 1 M Ω
- L1 -L4 - stator coils
- Lm - turbo switch
- Zs - special joint
- P - switch
- DI - choke