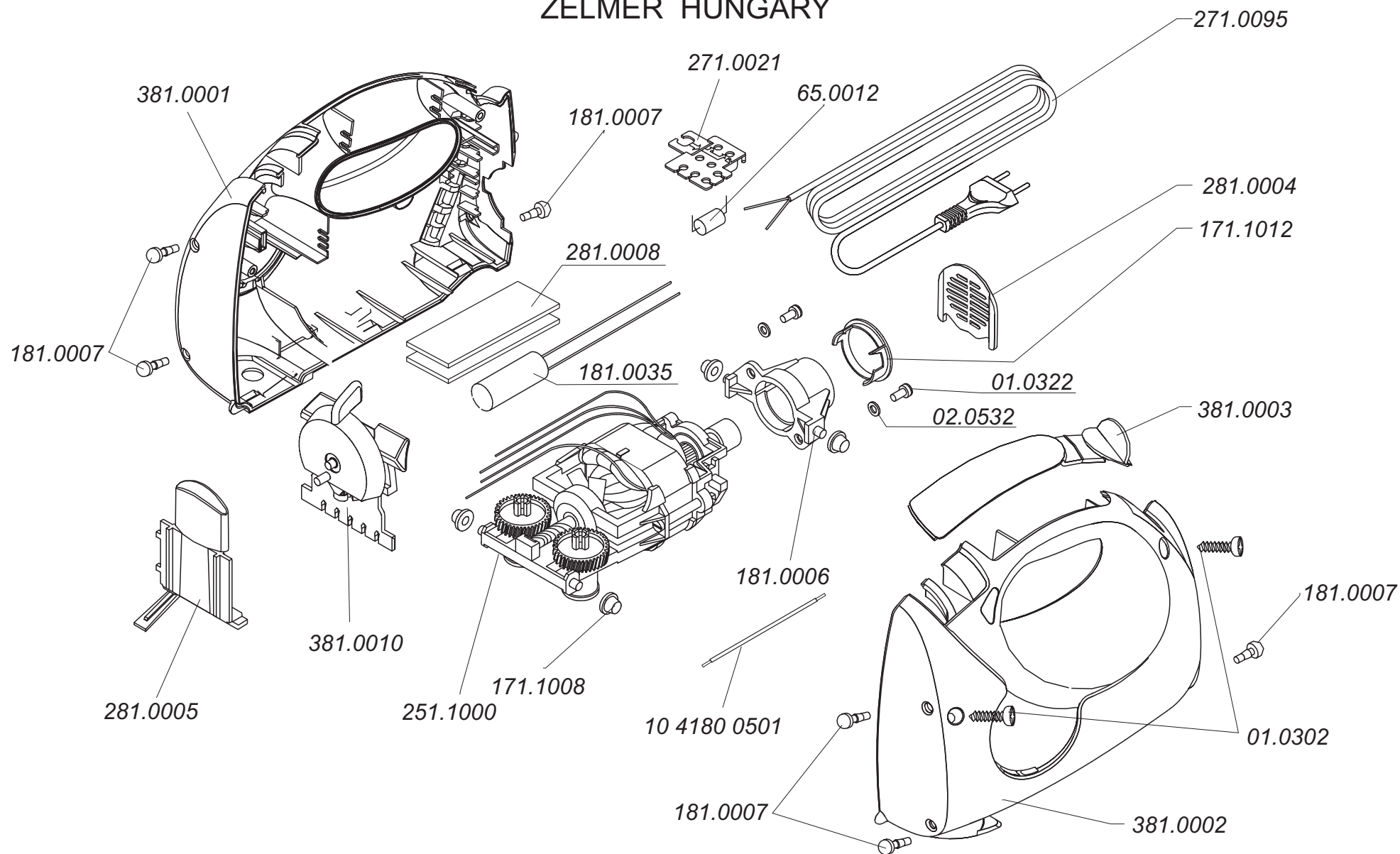
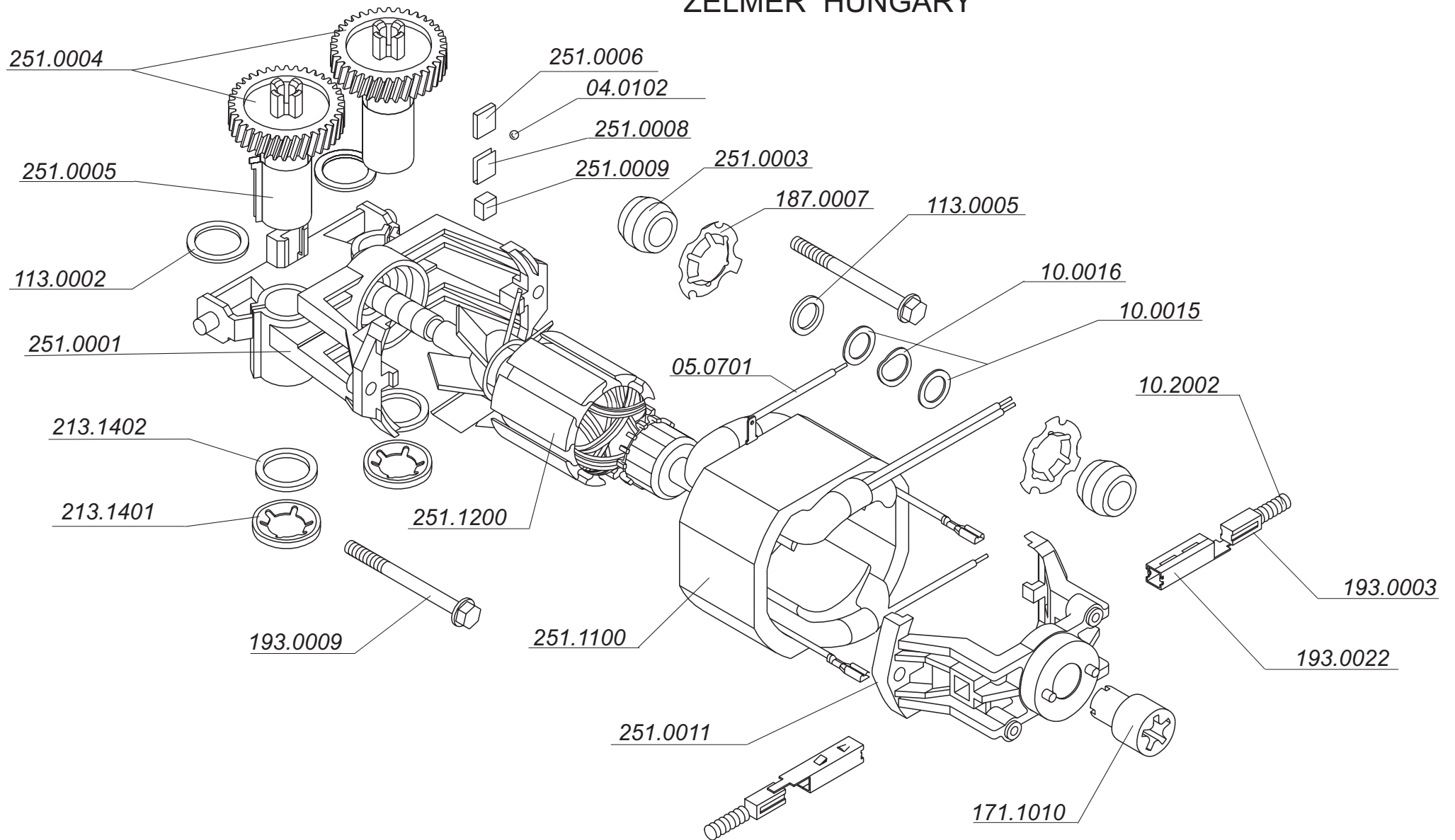


# MIXER 381.61 - DRIVE UNIT (LAPIS LINE) ZELMER HUNGARY

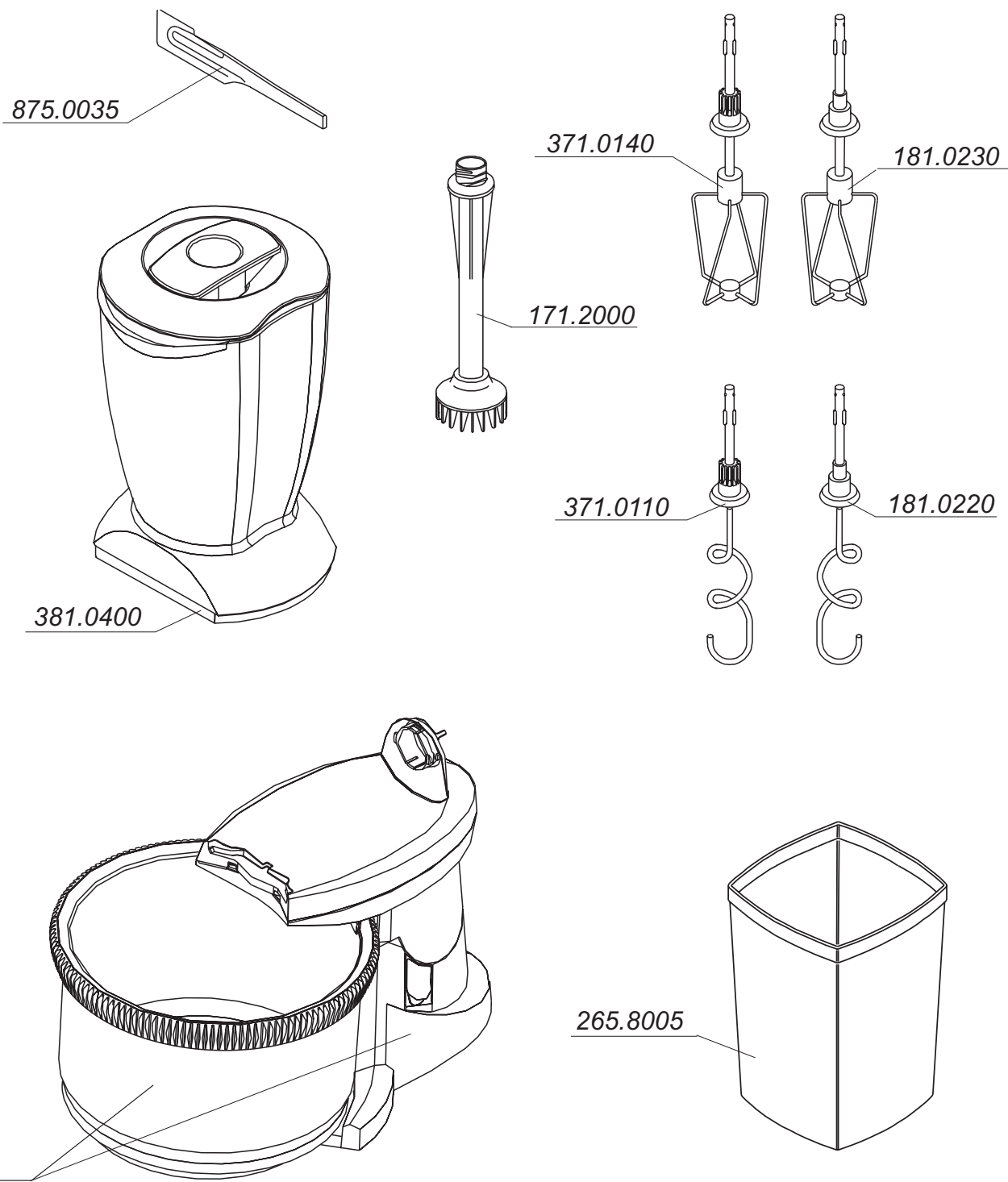


|| MIXER 381.61 - MOTOR 251.1000  
ZELMER HUNGARY



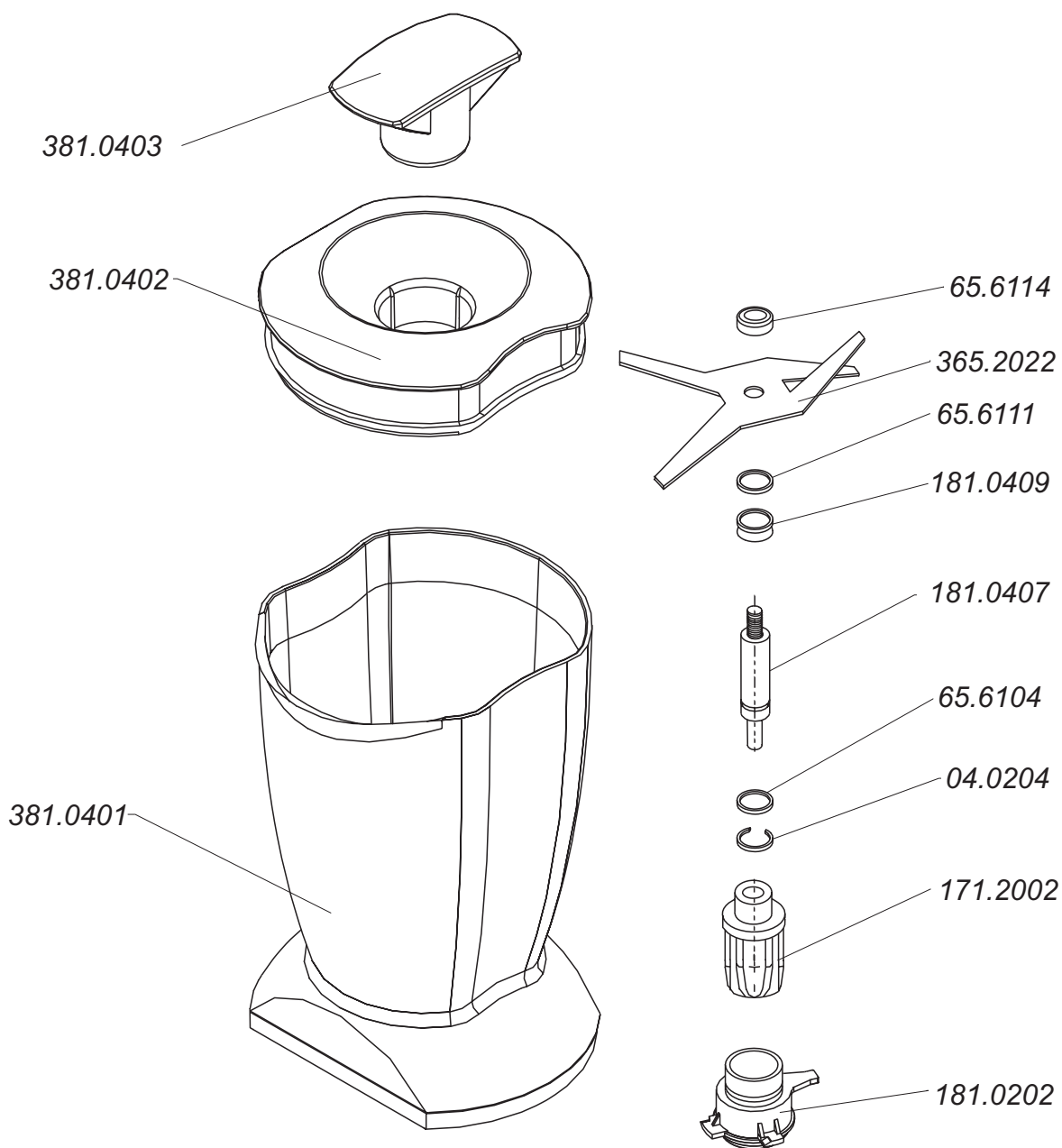
# III MIXER 381.61 - ACCESSORIES

## ZELMER HUNGARY



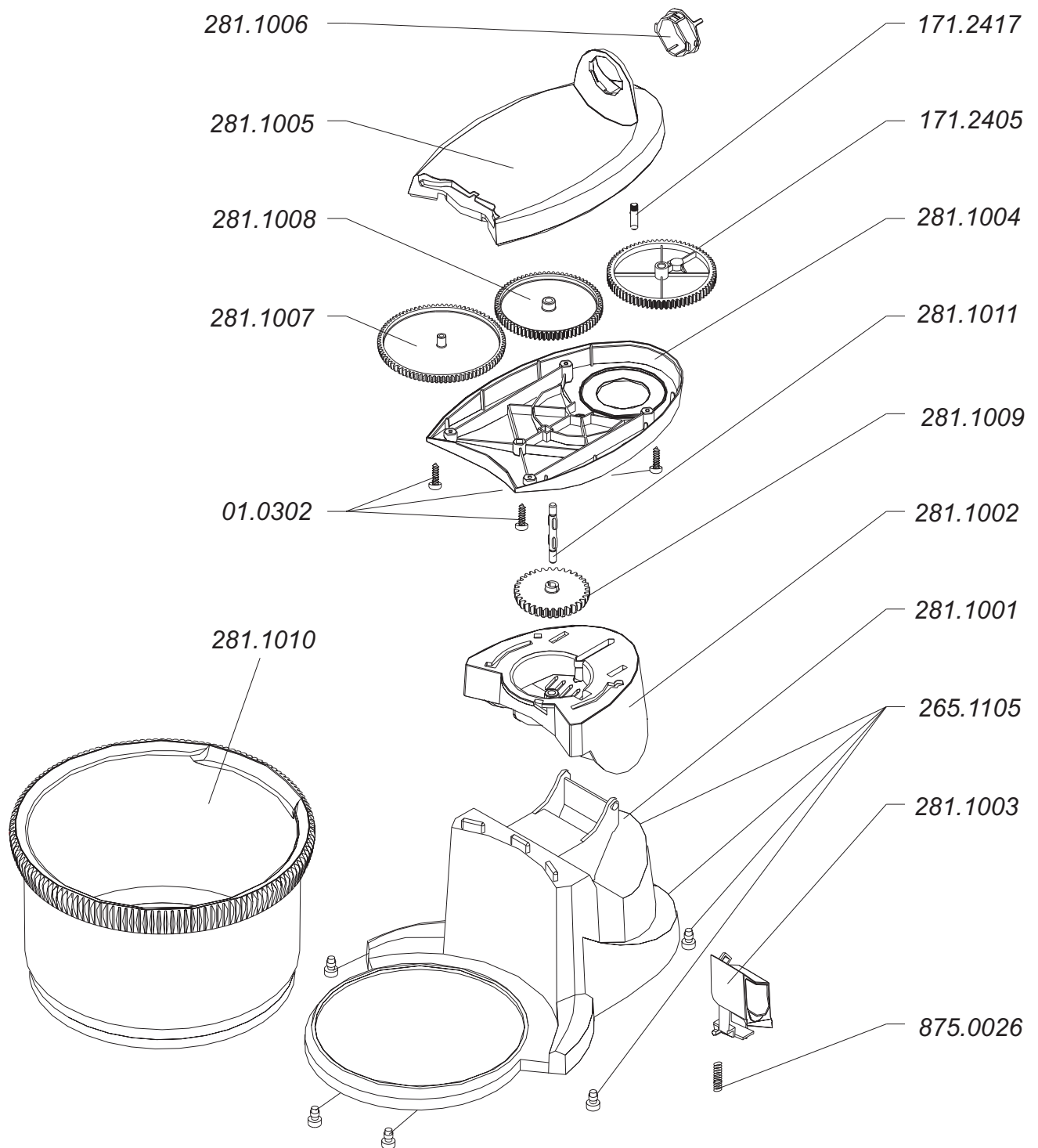
# IV MIXER 381.61 - ACCESSORIES 381.0400

## ZELMER HUNGARY

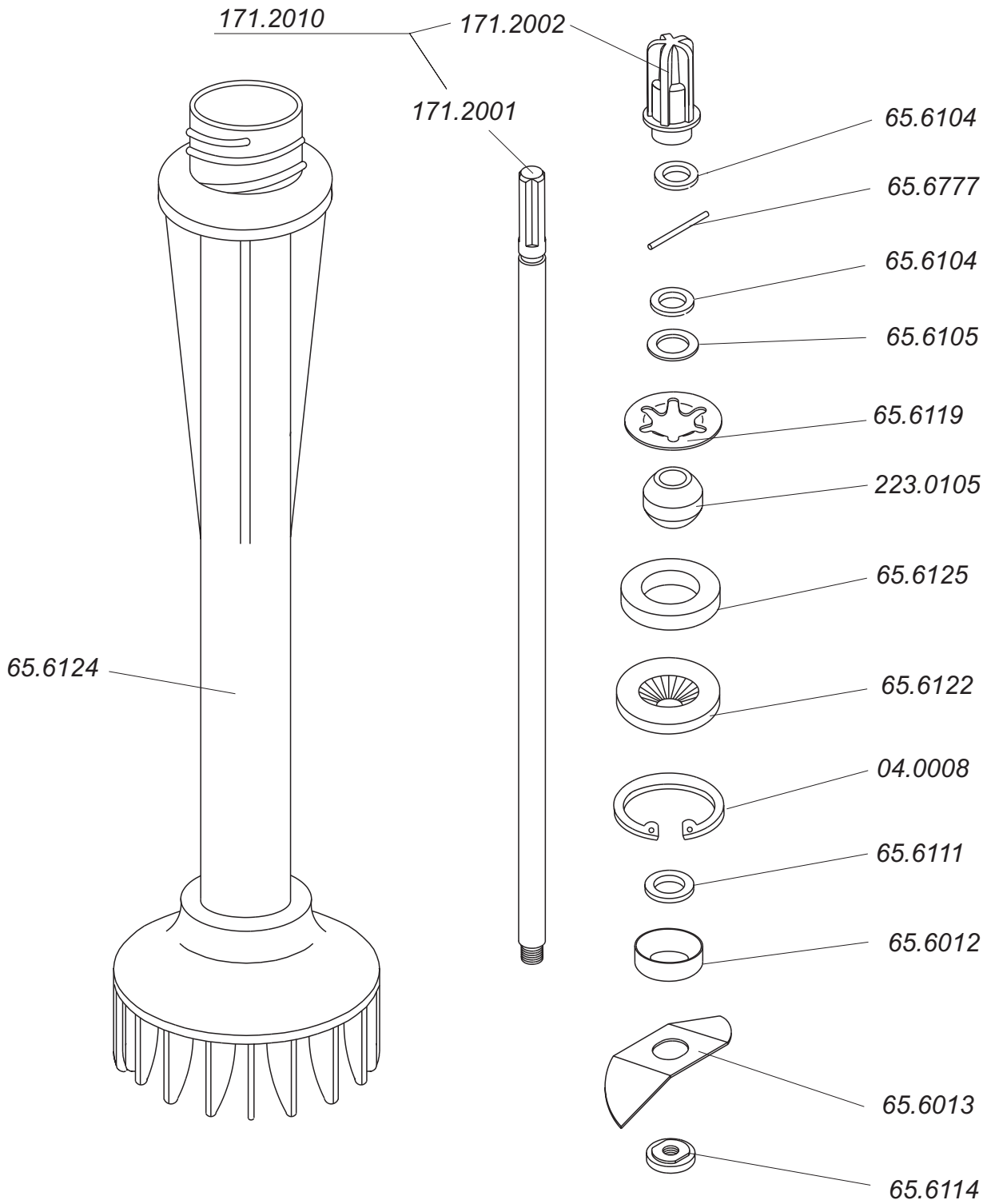


# V MIXER 381.61 - ACCESSORIES 281.1000

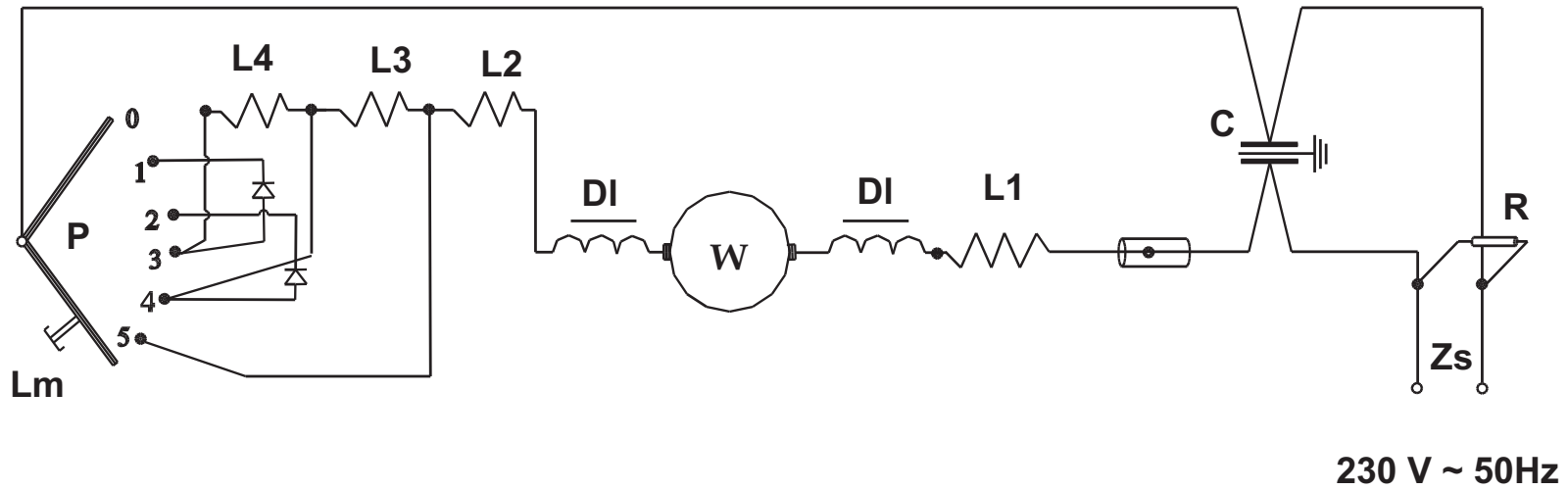
ZELMER HUNGARY



# VI MIXER 381.61 - ACCESSORIES 171.2000 ZELMER HUNGARY



# VII MIXER TYPE 381.61 ELECTRIC DIAGRAM ZELMER HUNGARY



- W - rotor
- C - capacitor
- R - resistor 1 MΩ
- L1 -L4 - stator coils
- Lm - turbo switch
- Zs - special joint
- P - switch
- DI - choke