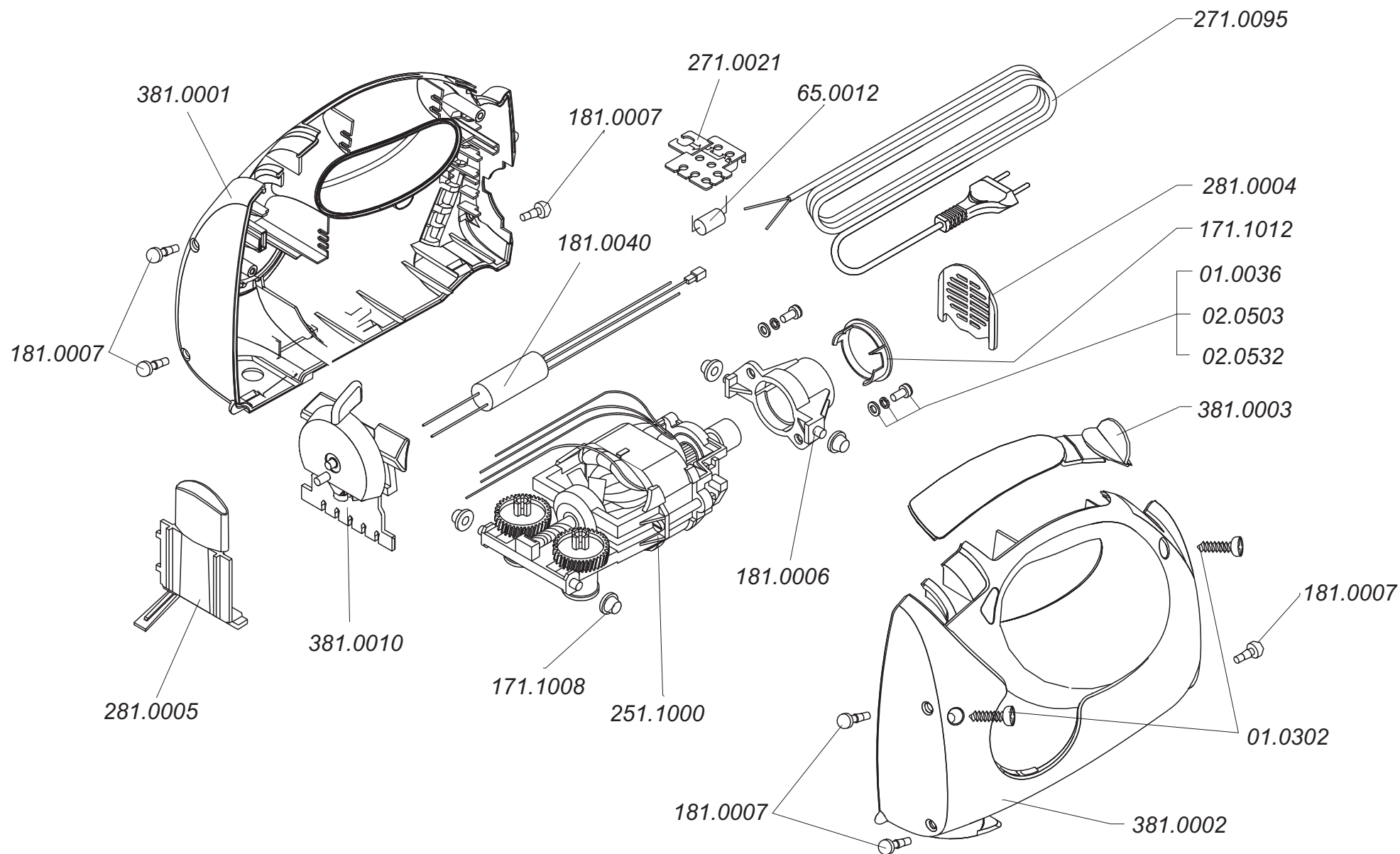
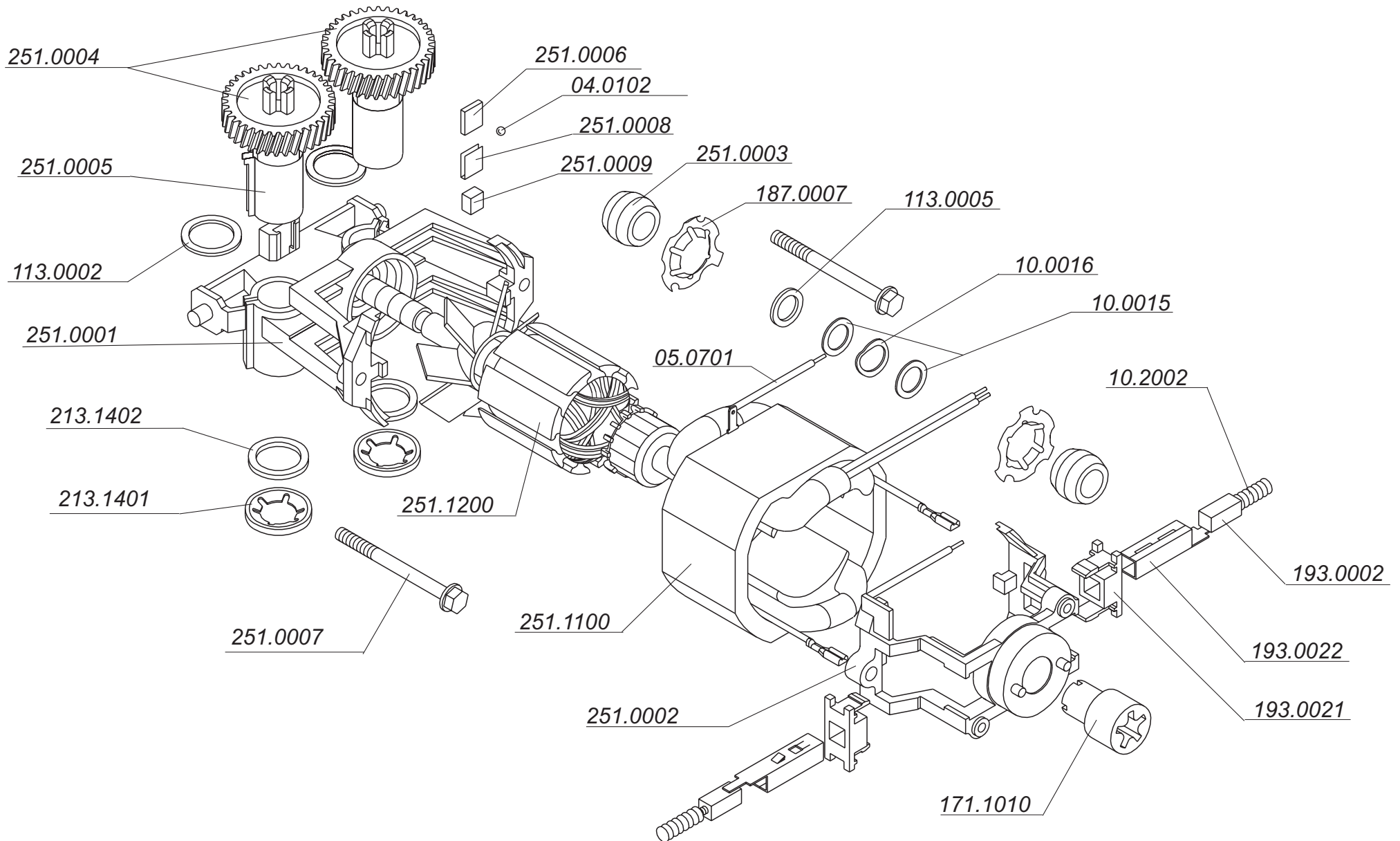


# MIXER 381.7 - DRIVE UNIT ZELMER HUNGARY

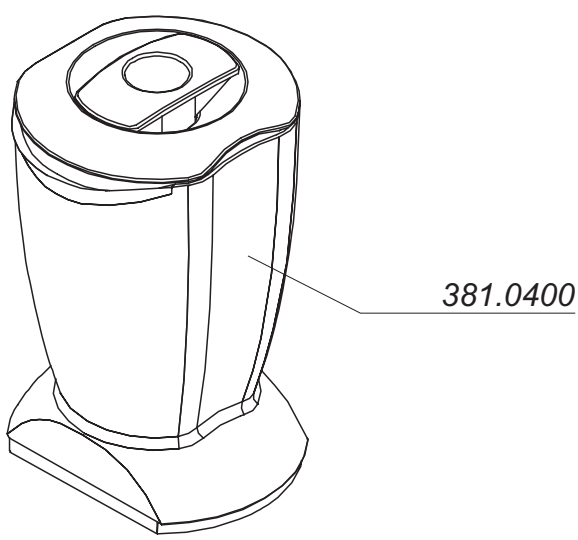
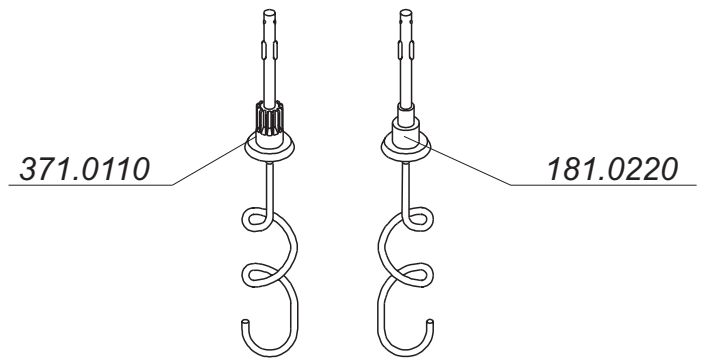
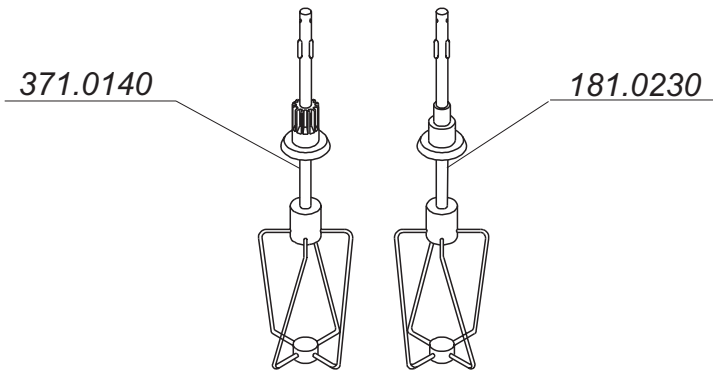


# MIXER 381.7 / ZELMER HUNGARY

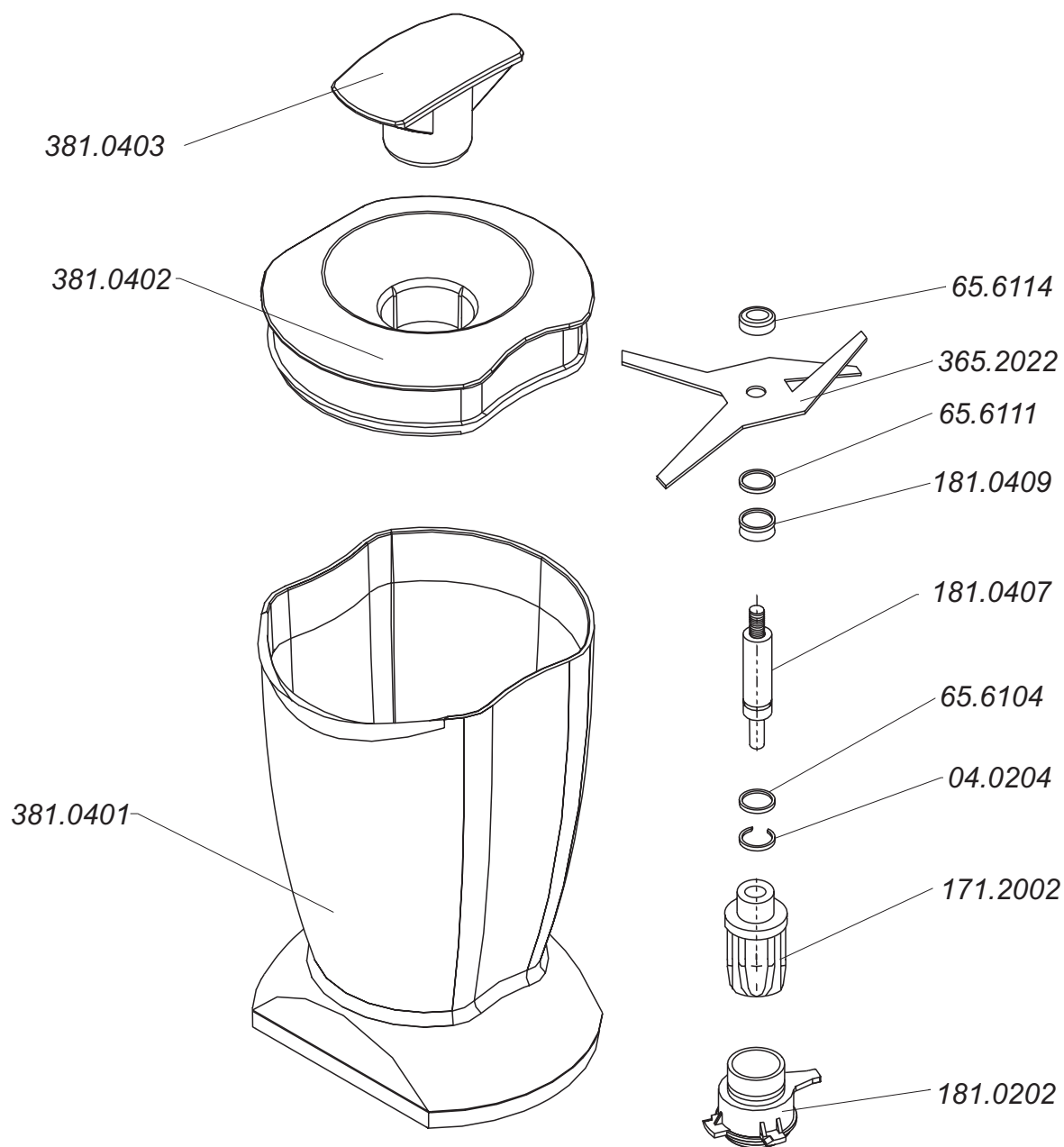
## MOTOR 251.1000



III MIXER 381.7 - ACCESSORIES  
ZELMER HUNGARY

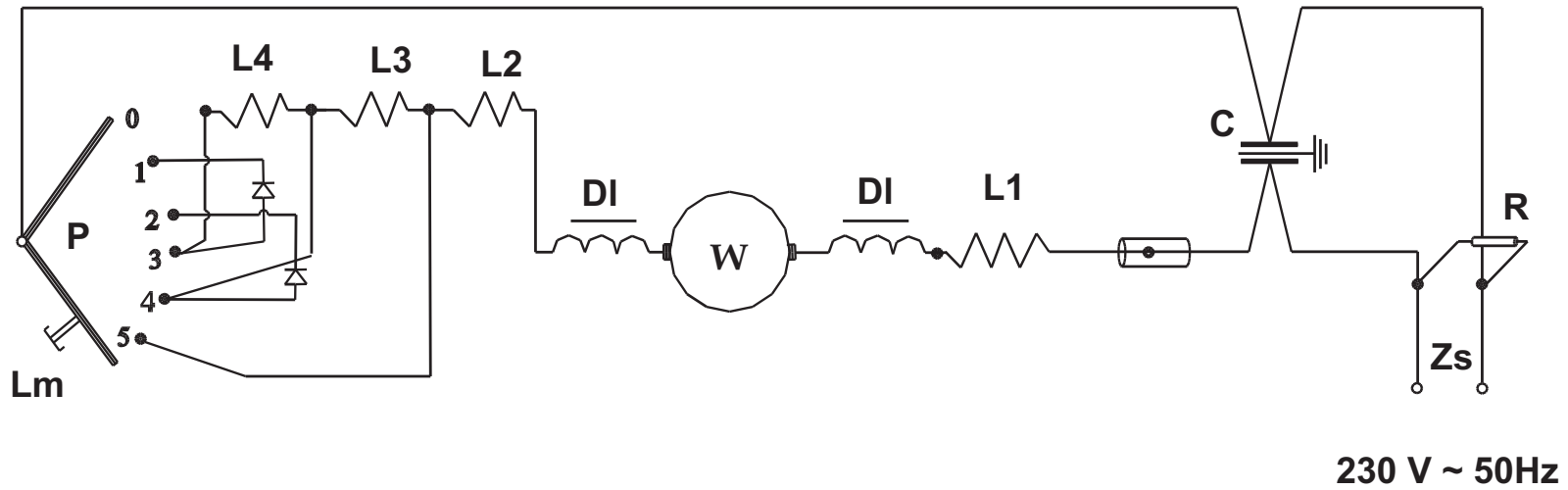


# IV MIXER 381.7 - ACCESSORIES 381.0400 ZELMER HUNGARY



# V MIXER TYPE 381.7 / ZELMER HUNGARY

## ELECTRIC DIAGRAM



- W - rotor
- C - capacitor
- R - resistor 1 M $\Omega$
- L1 -L4 - stator coils
- Lm - turbo switch
- Zs - special joint
- P - switch
- DI - choke