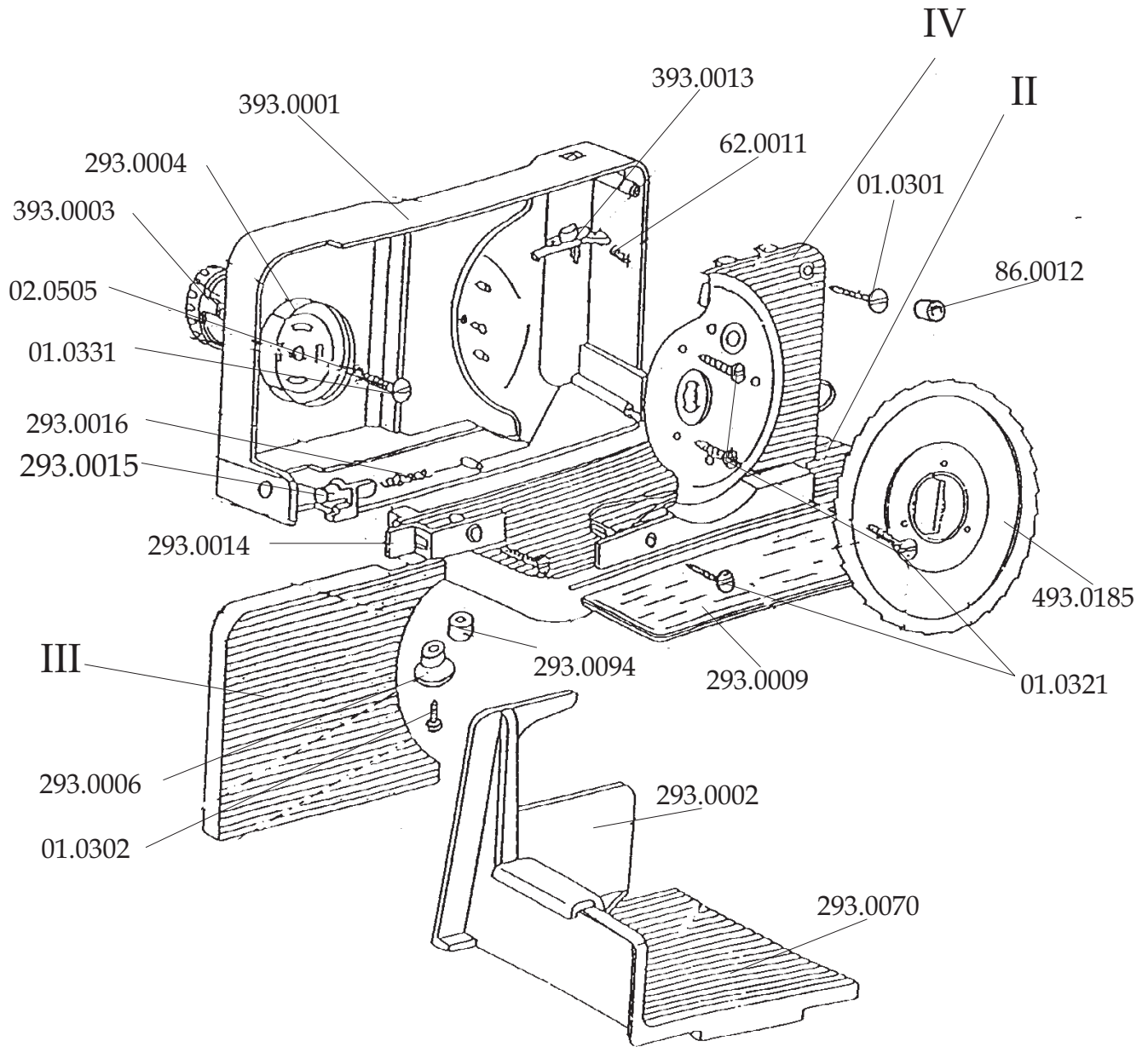
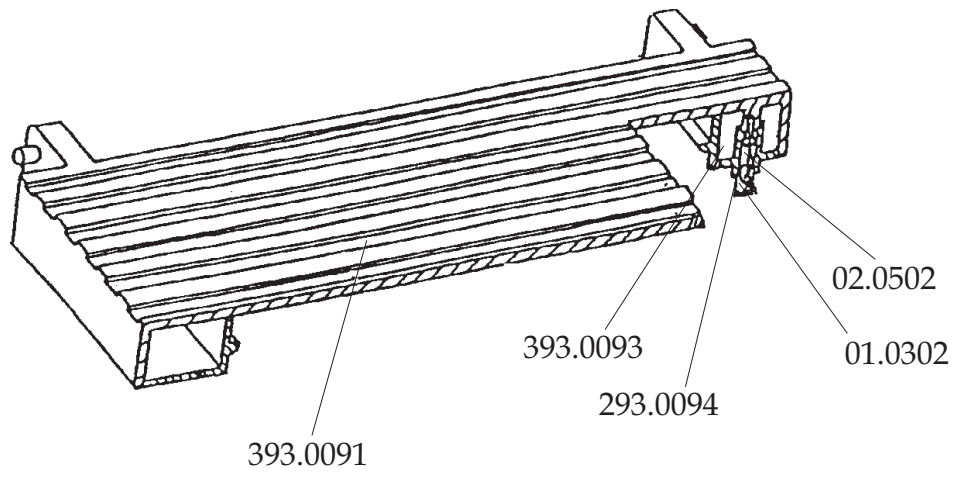


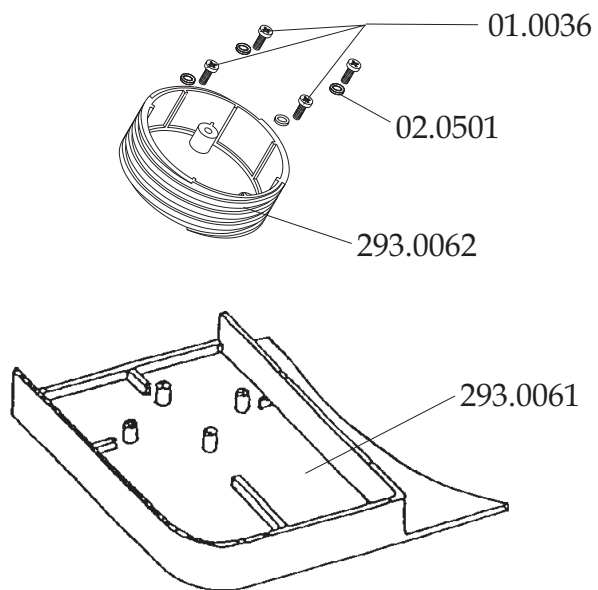
I ELECTRIC SLICER TYPE 393.4 ZELMER HUNGARY



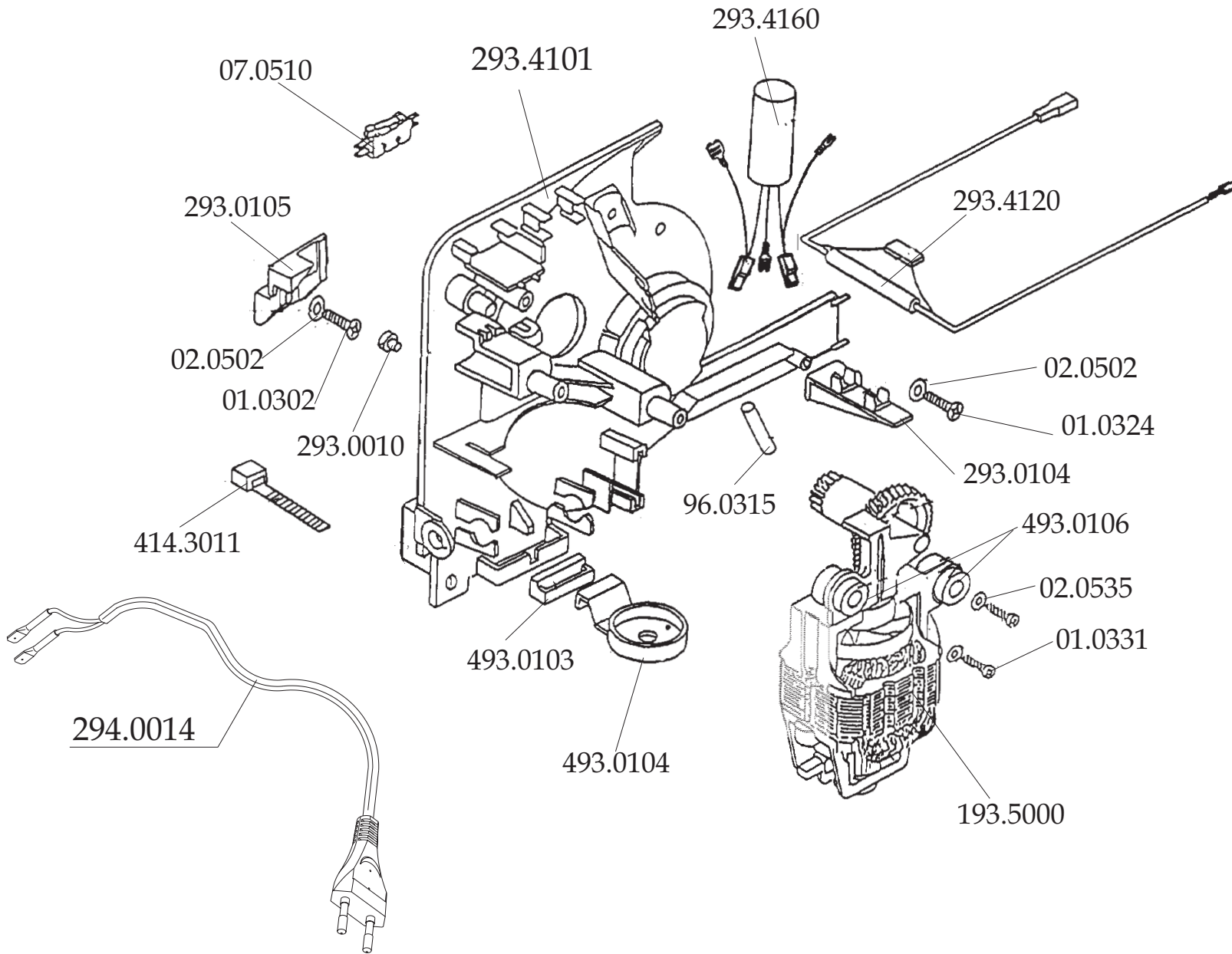
II 393.0090



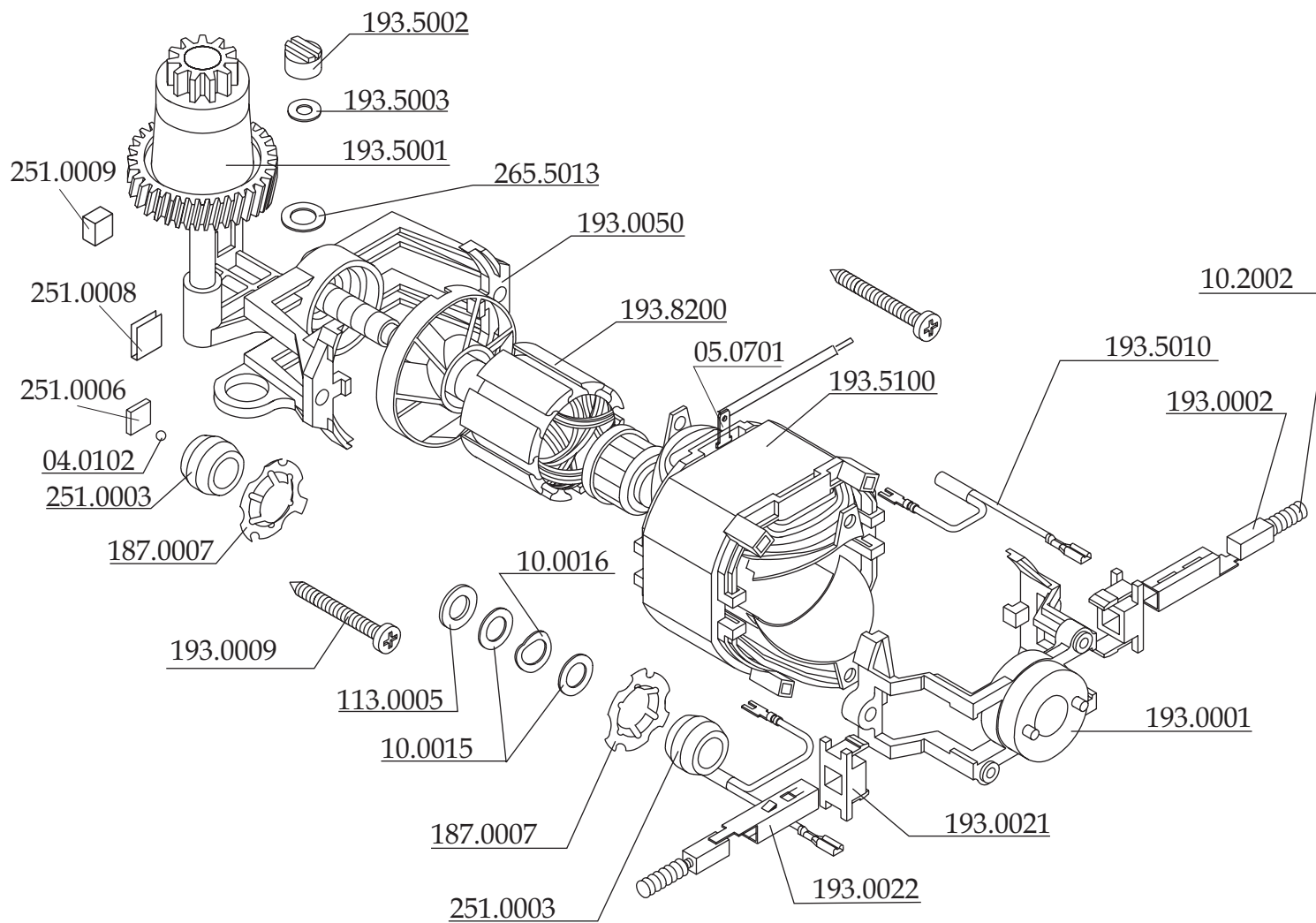
III 293.0060



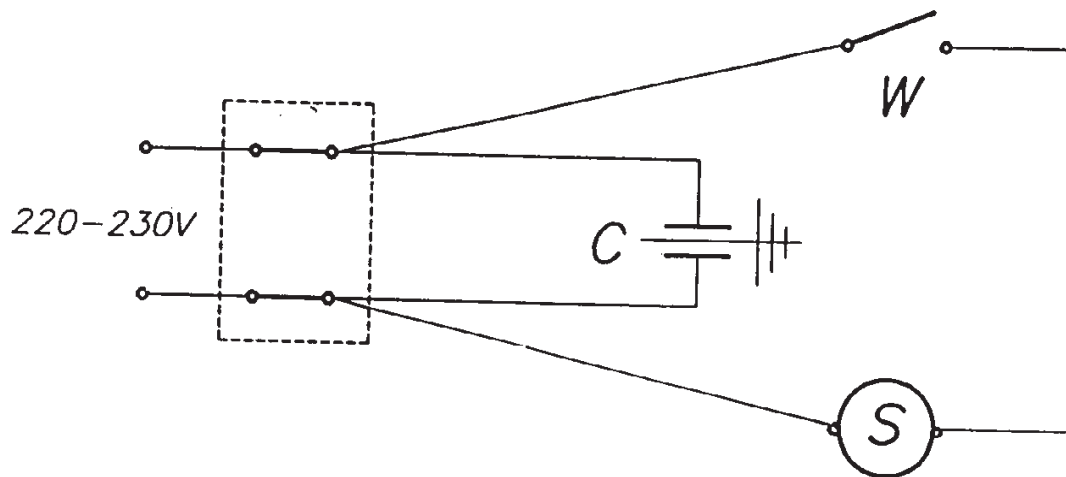
IV FITTING PLATE



V MOTOR TYPE 193.5000



VI ELECTRIC DIAGRAM OF THE SLICER TYPE 393.4



- C - CAPACITOR
- W - MICROSWITCH
- S - MOTOR