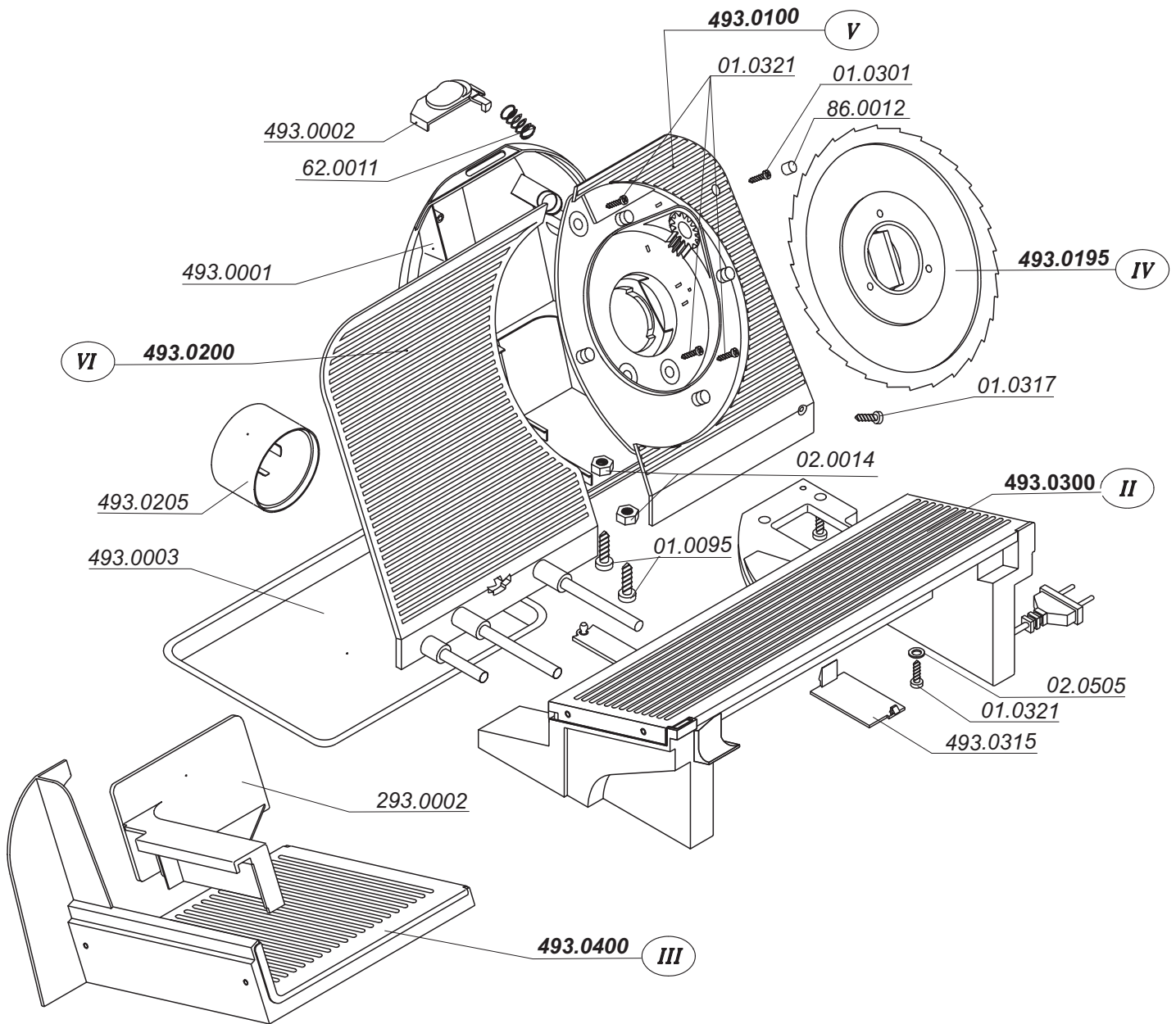
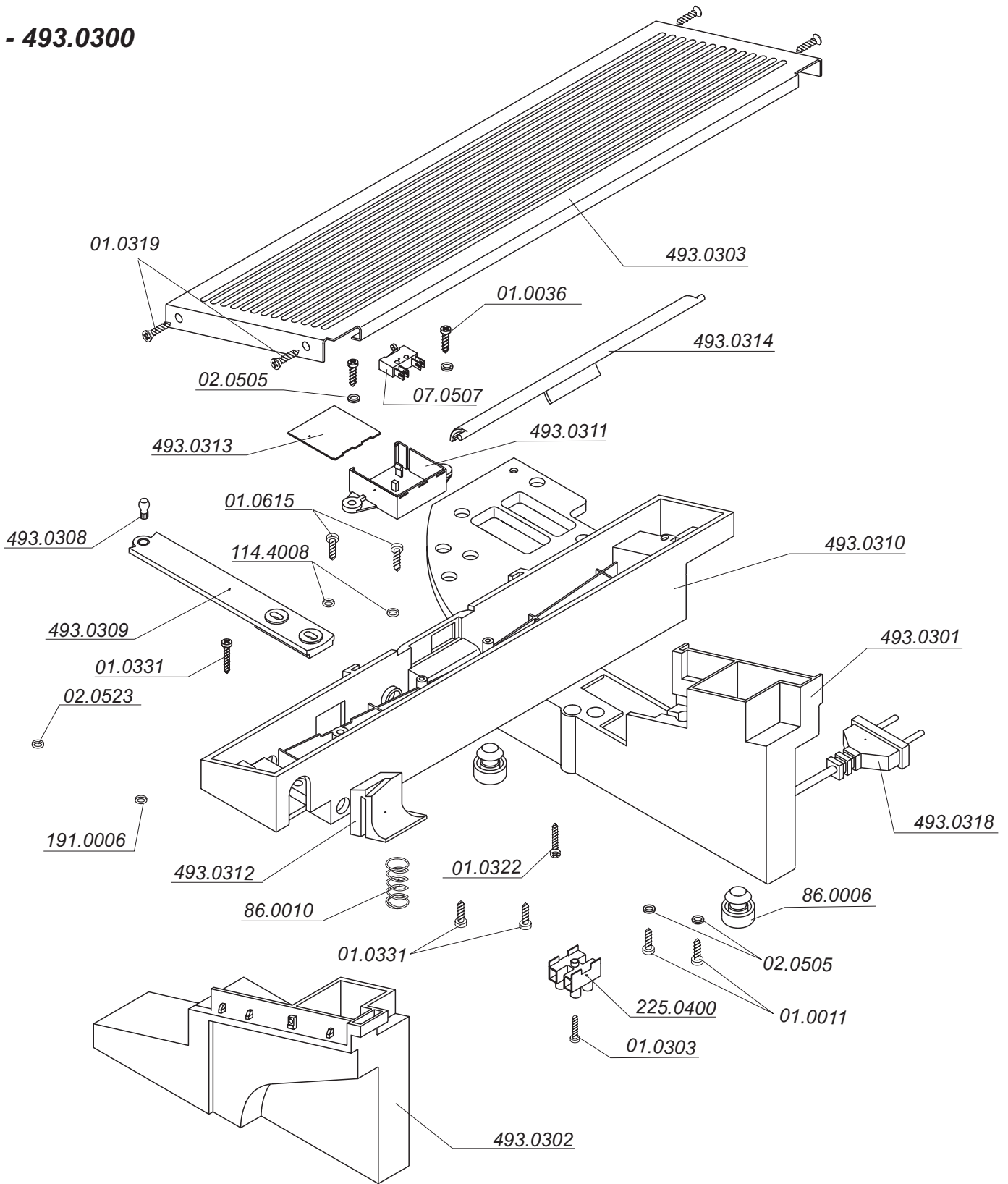


ELECTRIC SLICER TYPE 493.5 ZELMER HUNGARY



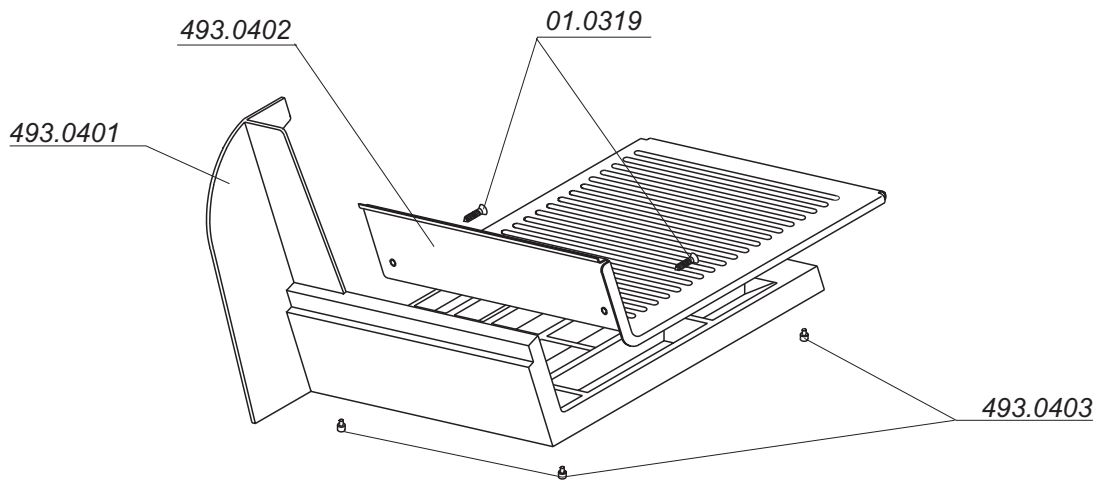
II ELECTRIC SLICER TYPE 493.5 ZELMER HUNGARY

II - 493.0300

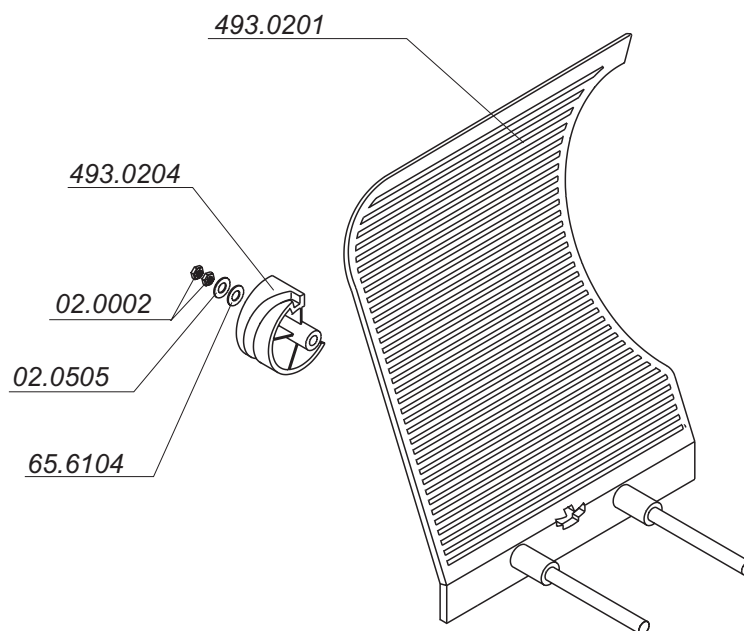


III ELECTRIC SLICER TYPE 493.5 ZELMER HUNGARY

III - 493.0400

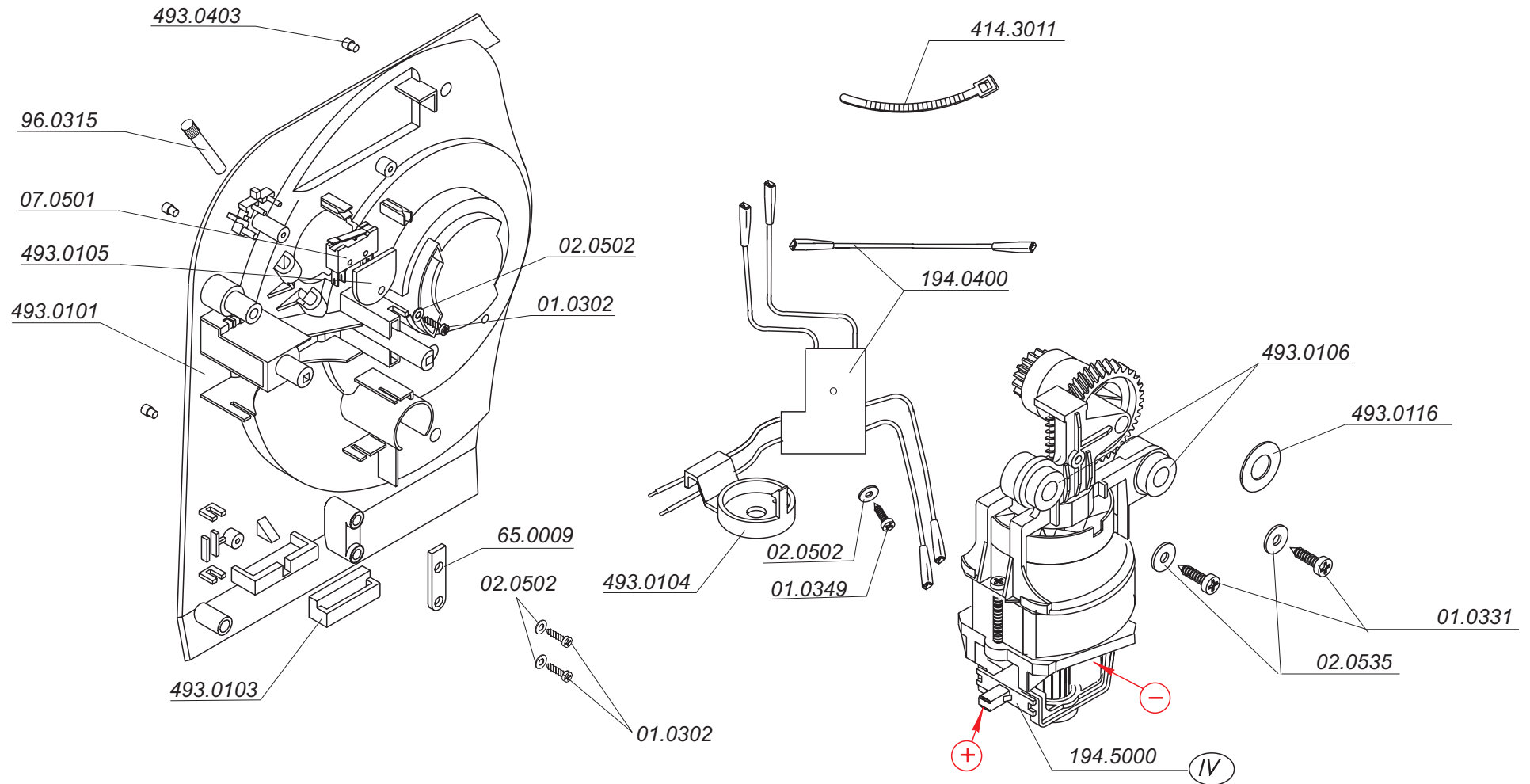


VI - 493.0200

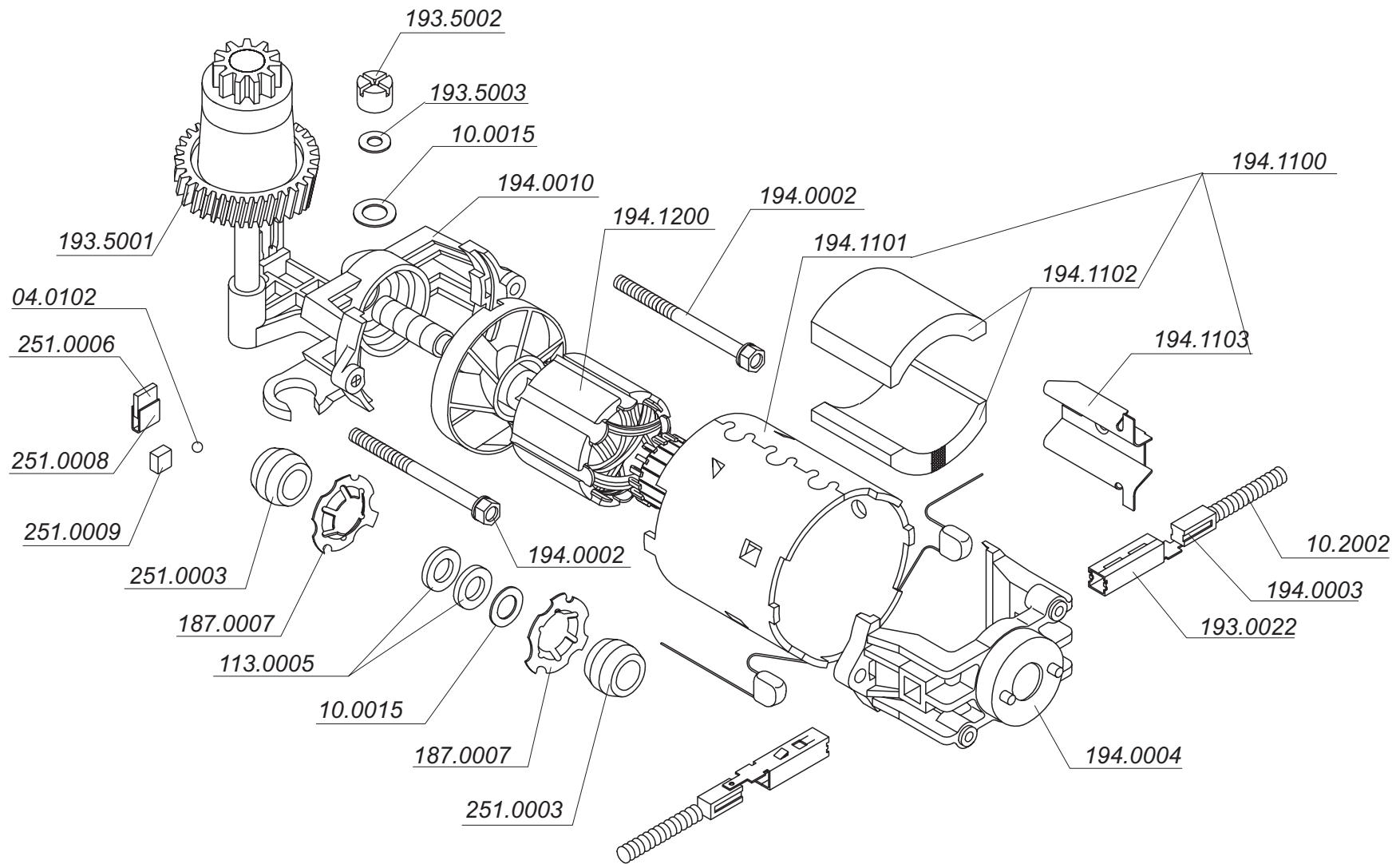


IV ELECTRIC SLICER TYPE 493.5 ZELMER HUNGARY

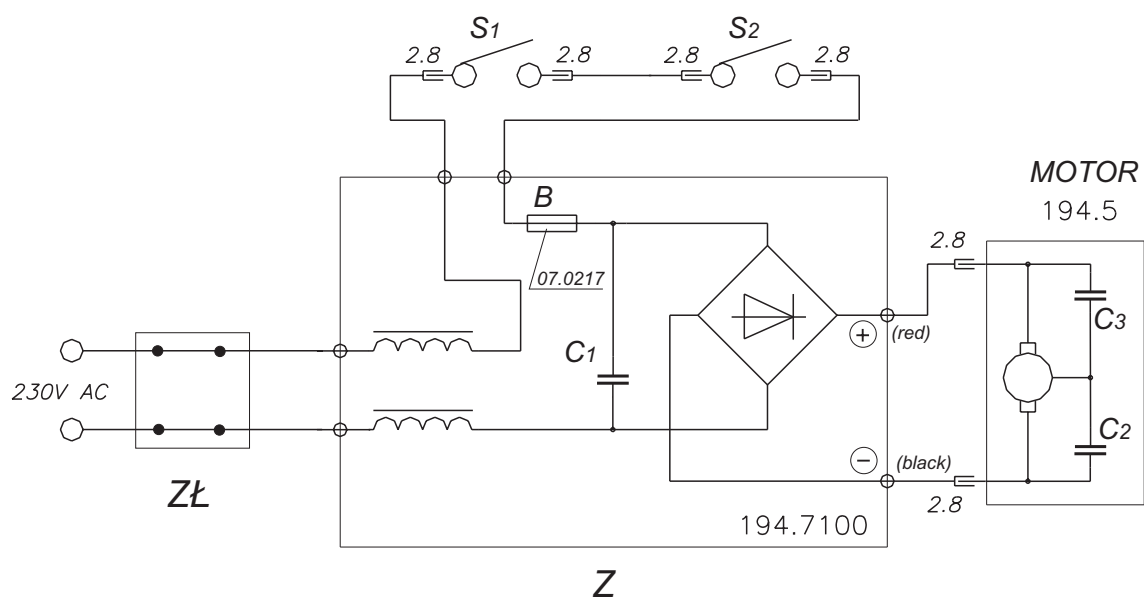
V - 493.0100



V MOTOR TYPE 194.5000



VI ELECTRIC DIAGRAM OF THE ELECTRIC SLICER TYPE 493.5 ZELMER HUNGARY



S1, S2 - MICROSWITCH
C1, C2, C3 - CAPACITOR
M - MOTOR
Z - FEERDER
B - FUSE
Zł - 2-POLE BLOCK