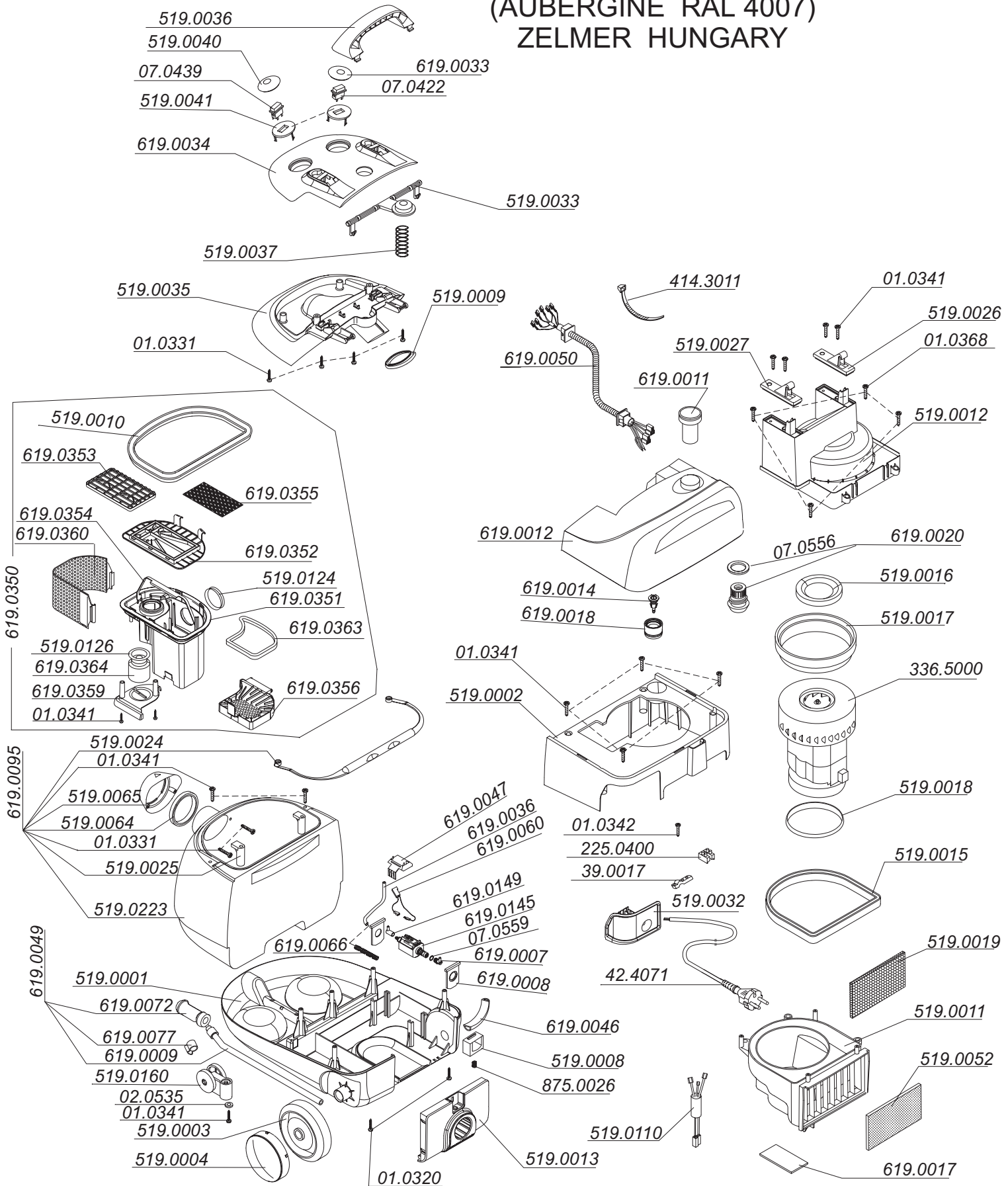
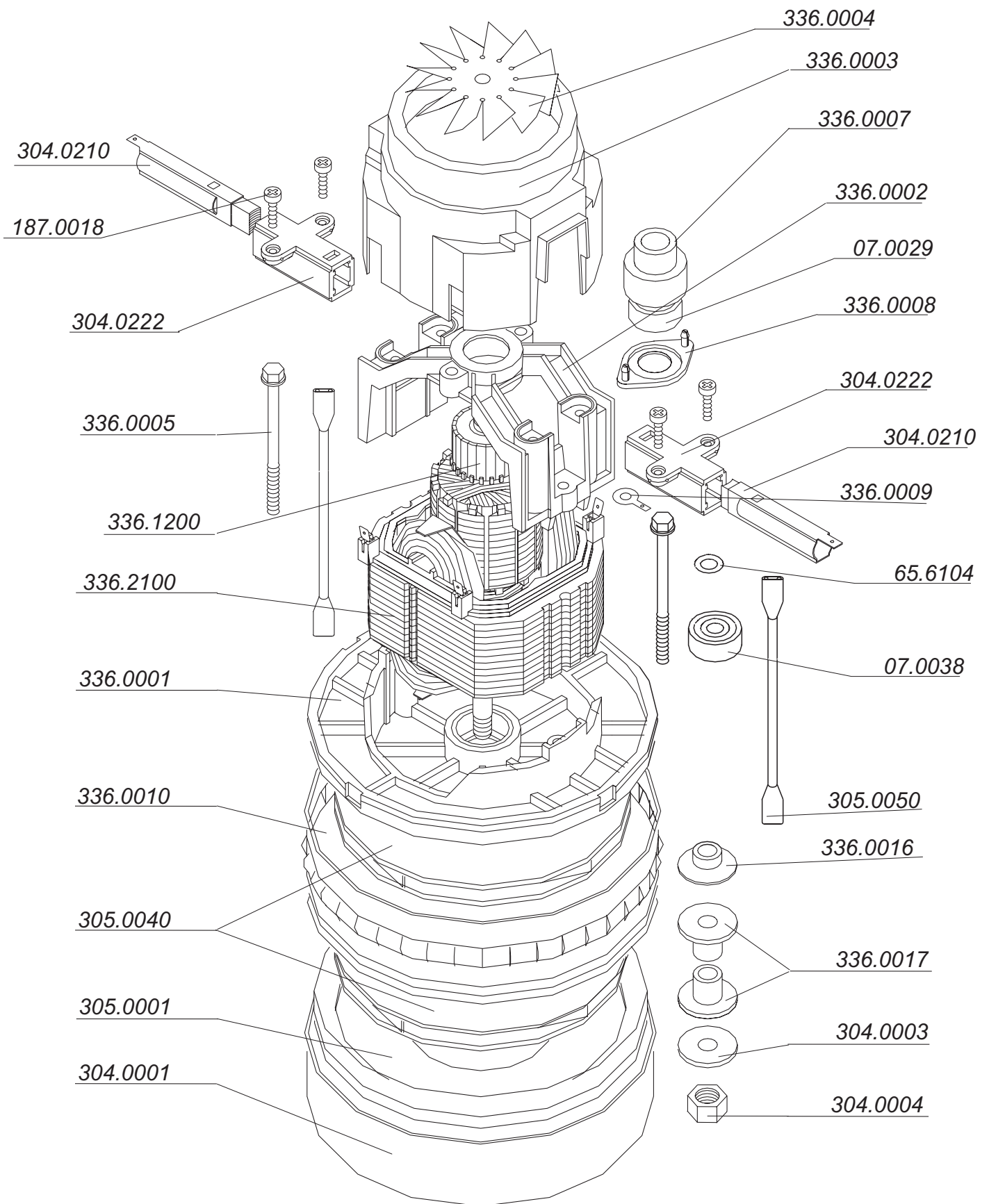


# VACUUM CLEANER ZELMER TYP 619 T (AUBERGINE RAL 4007) ZELMER HUNGARY



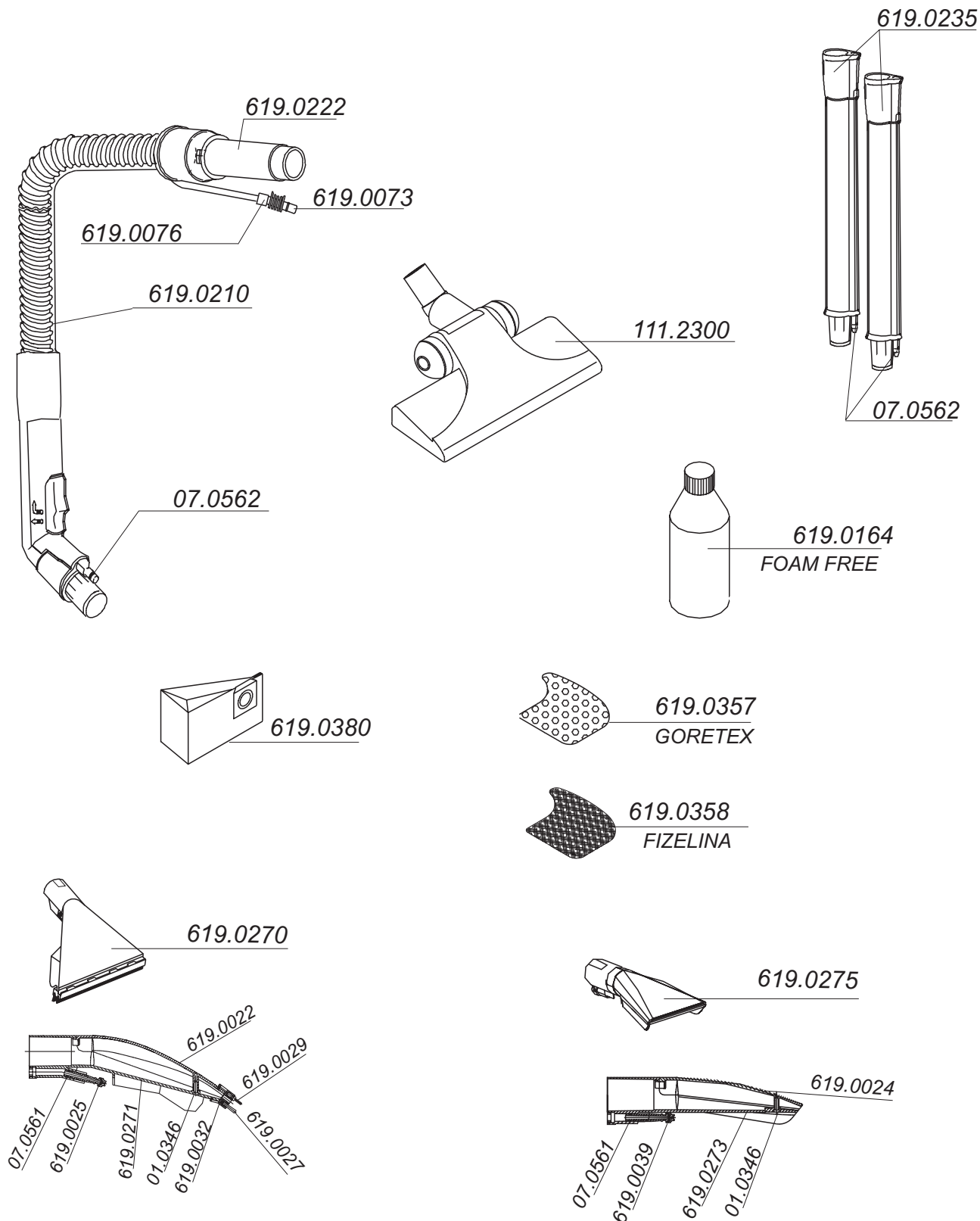
# II SUCTION UNIT 336.5000



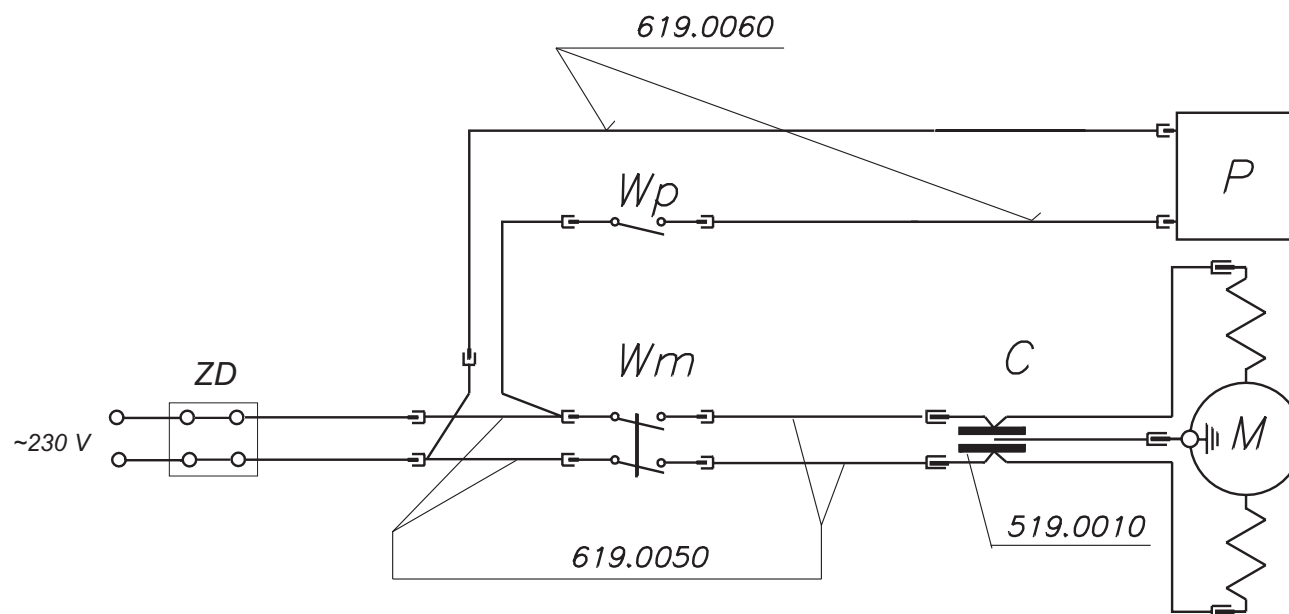
# VACUUM CLEANER ACCESSORIES

## ZELMER TYP 619T (AUBERGINE RAL 4007)

### ZELMER HUNGARY



# IV ELECTRICAL DIAGRAM OF THE VACUUM CLEANER ZELMER TYP 619 T / ZELMER HUNGARY



M - suction unit  
 Wm - main switch  
 Wp - pump switch  
 C - capacitor  
 ZD - 2-pole block