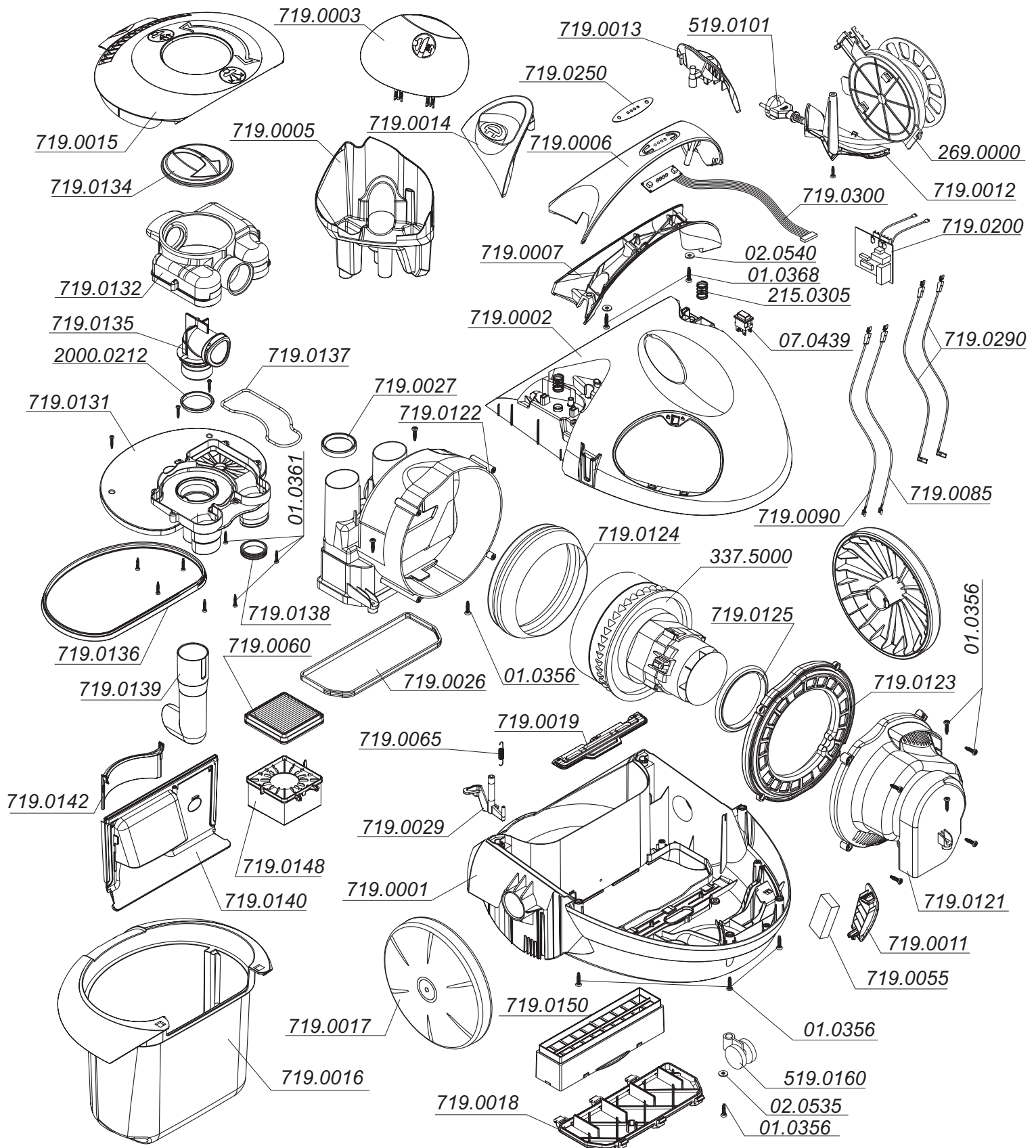


VACUUM CLEANER

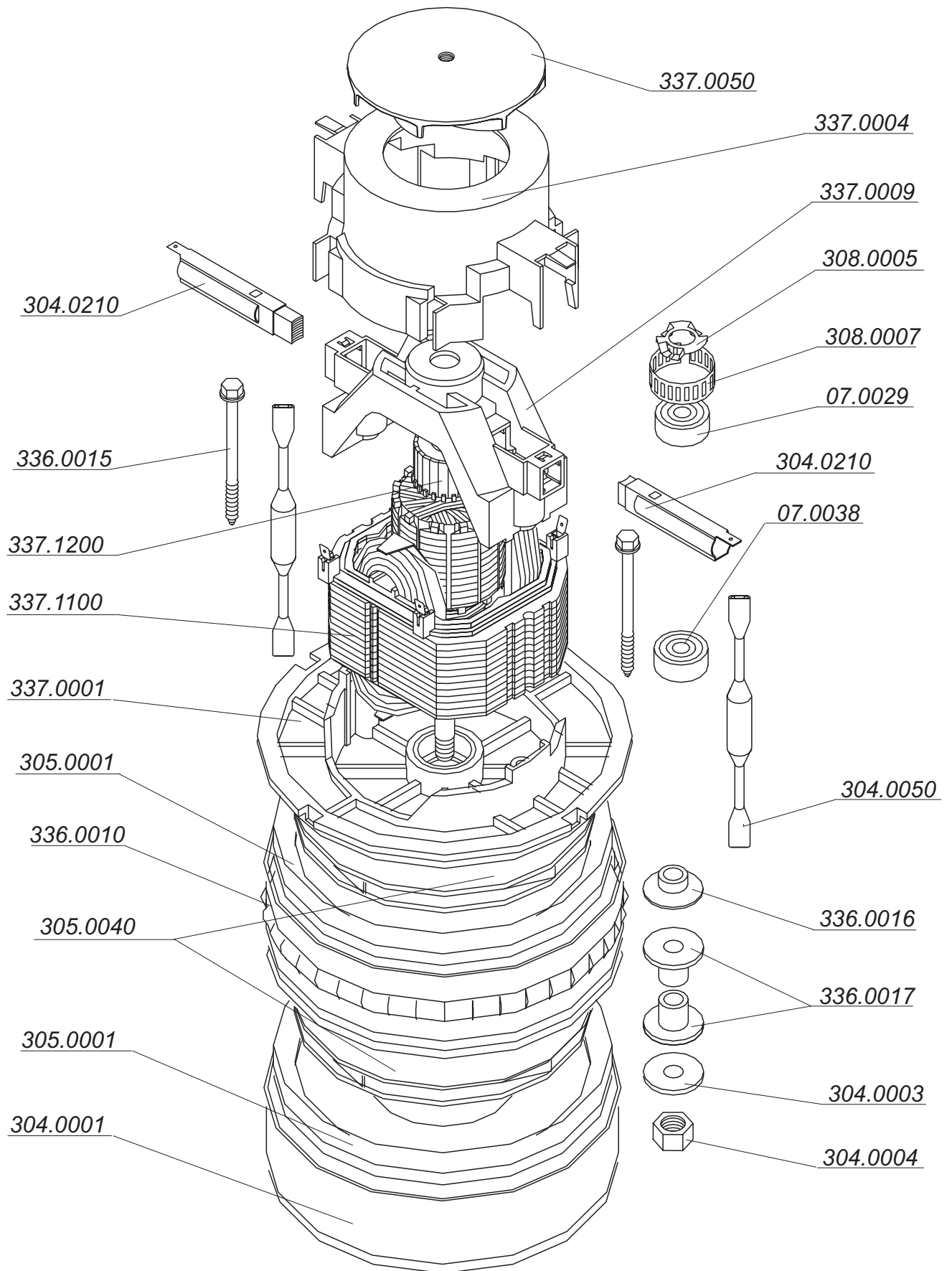
ZELMER TYPE 719.0.A11S

(DARK RED RAL 3011)

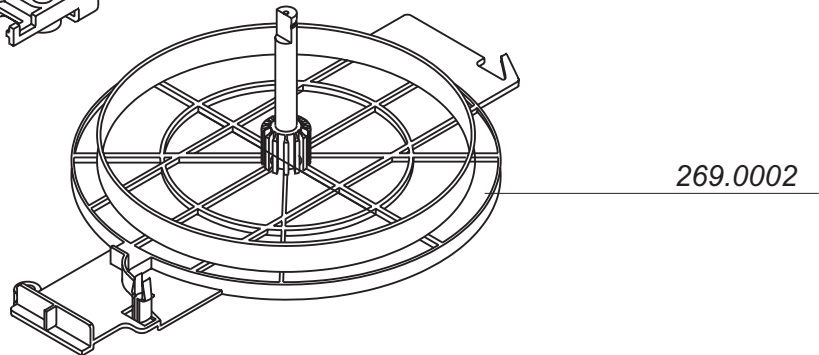
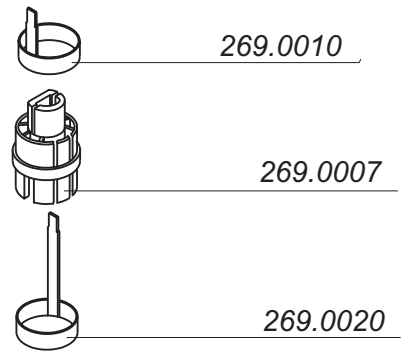
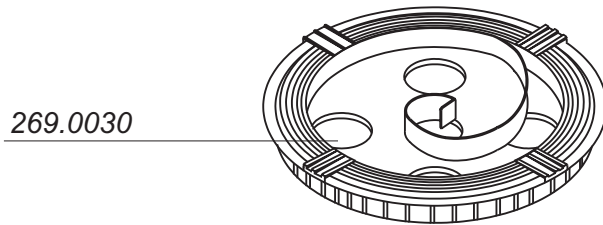
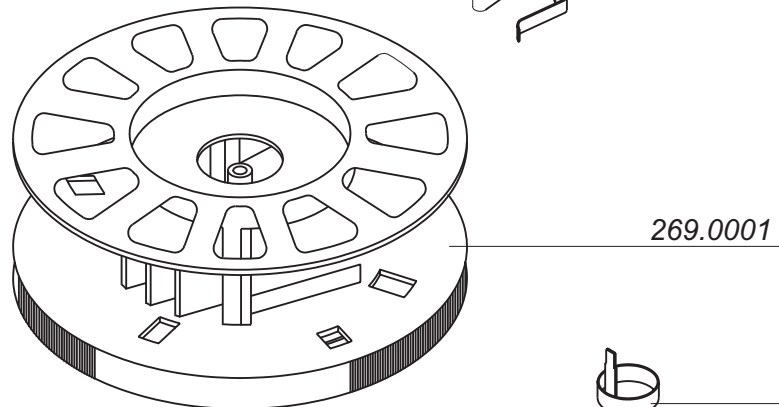
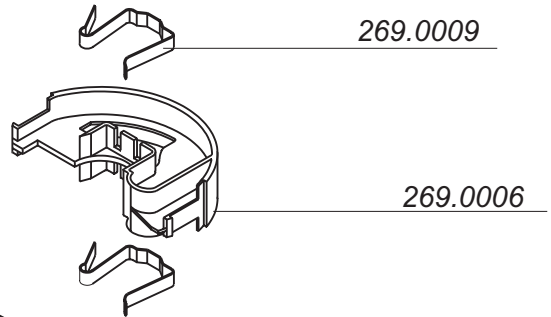
ZELMER HUNGARY



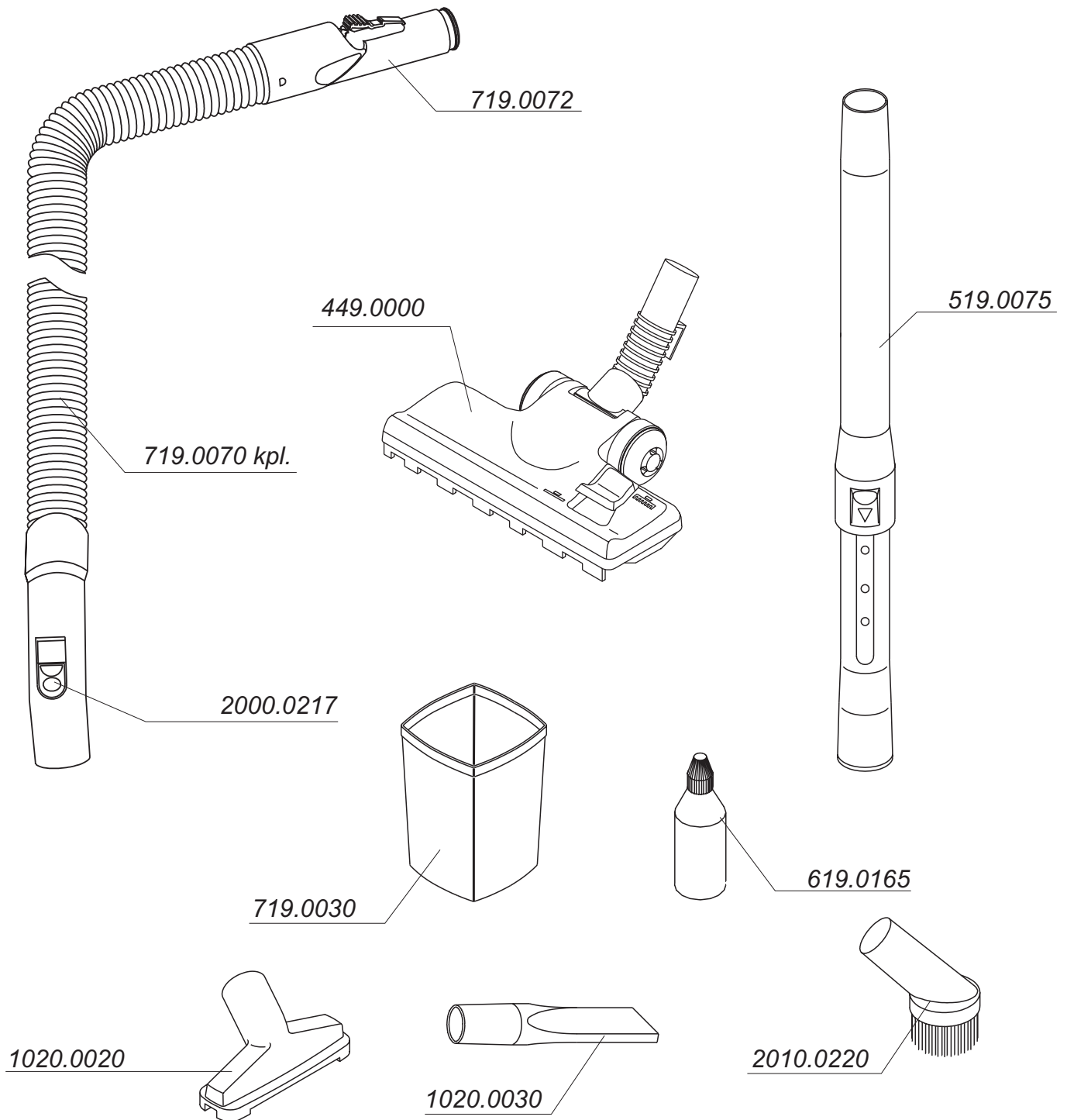
II SUCTION UNIT TYPE 337.5000



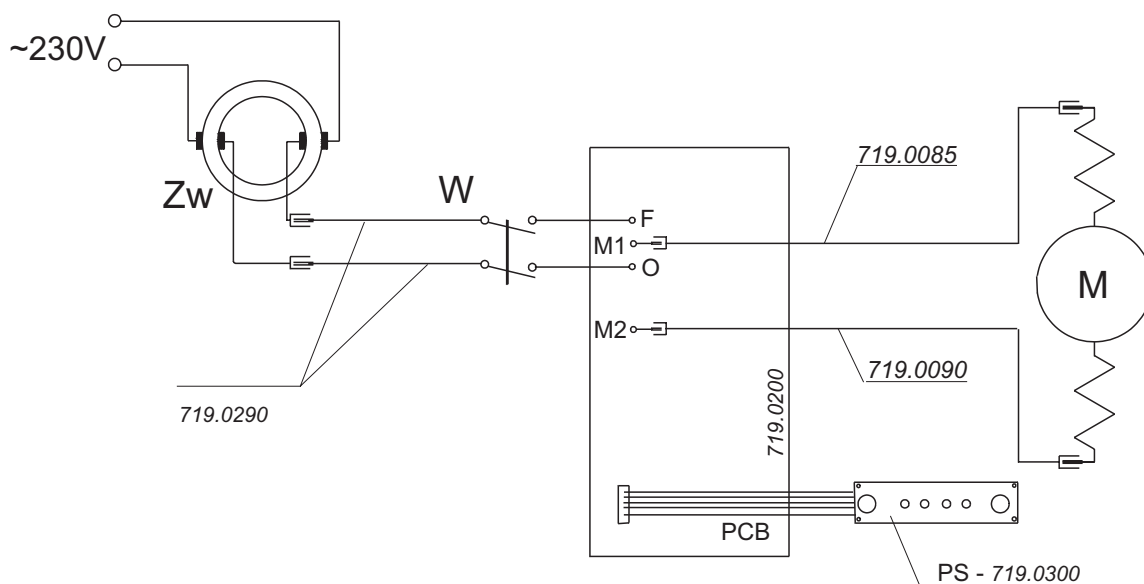
III CORD WINDER 269.0000



IV VACUUM CLEANER ACCESSORIES ZELMER TYPE 719.0.A11S (DARK RED RAL 3011) ZELMER HUNGARY



V ELECTRICAL DIAGRAM OF THE VACUUM CLEANER ZELMER TYPE 719.0.A11S ZELMER HUNGARY



M - MOTOR
Zw - CORD WINDER
W - MAIN SWICH
PCB - POWER CONTROL BOARD
PS - SWITCH'S PLATE