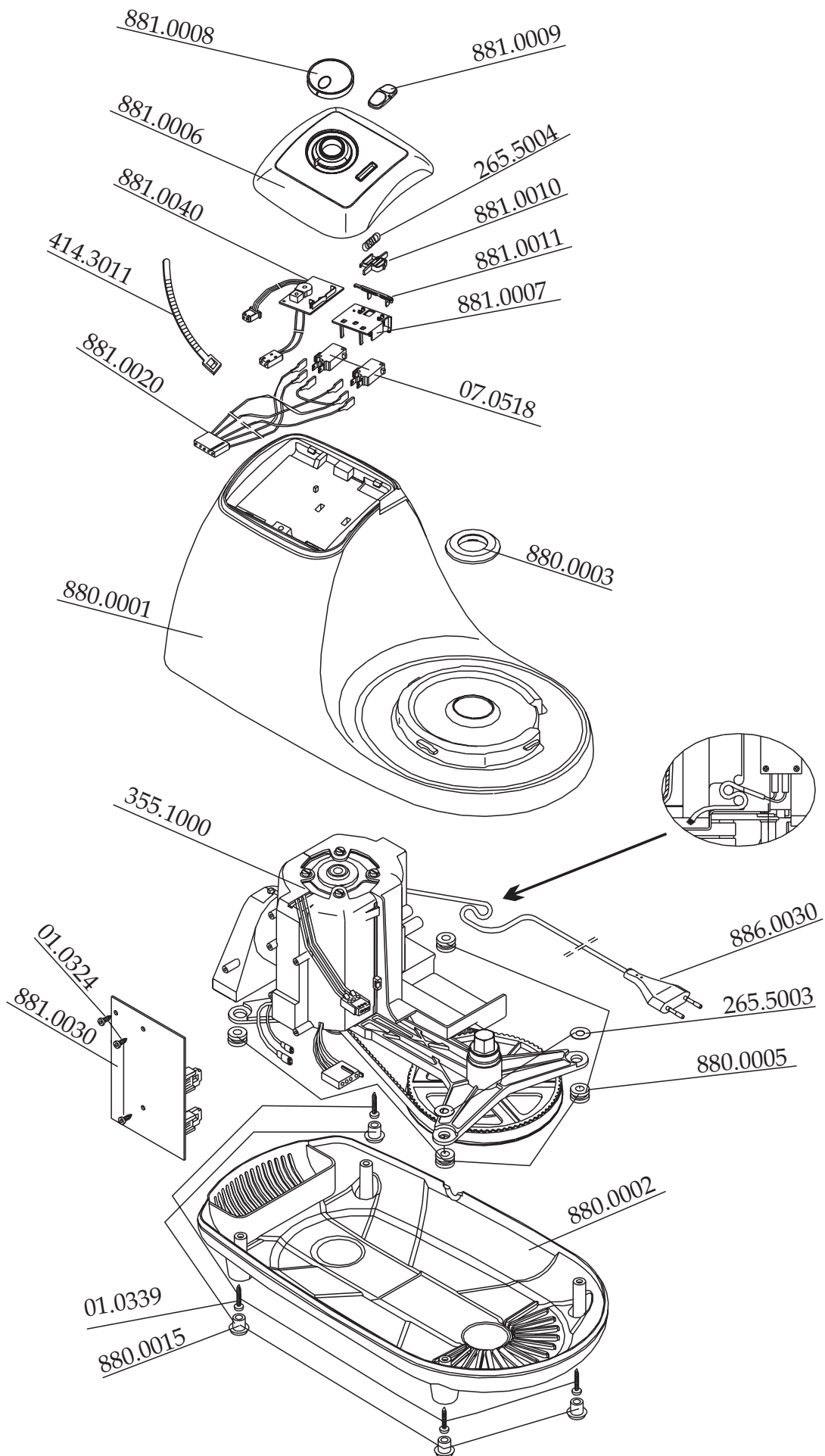


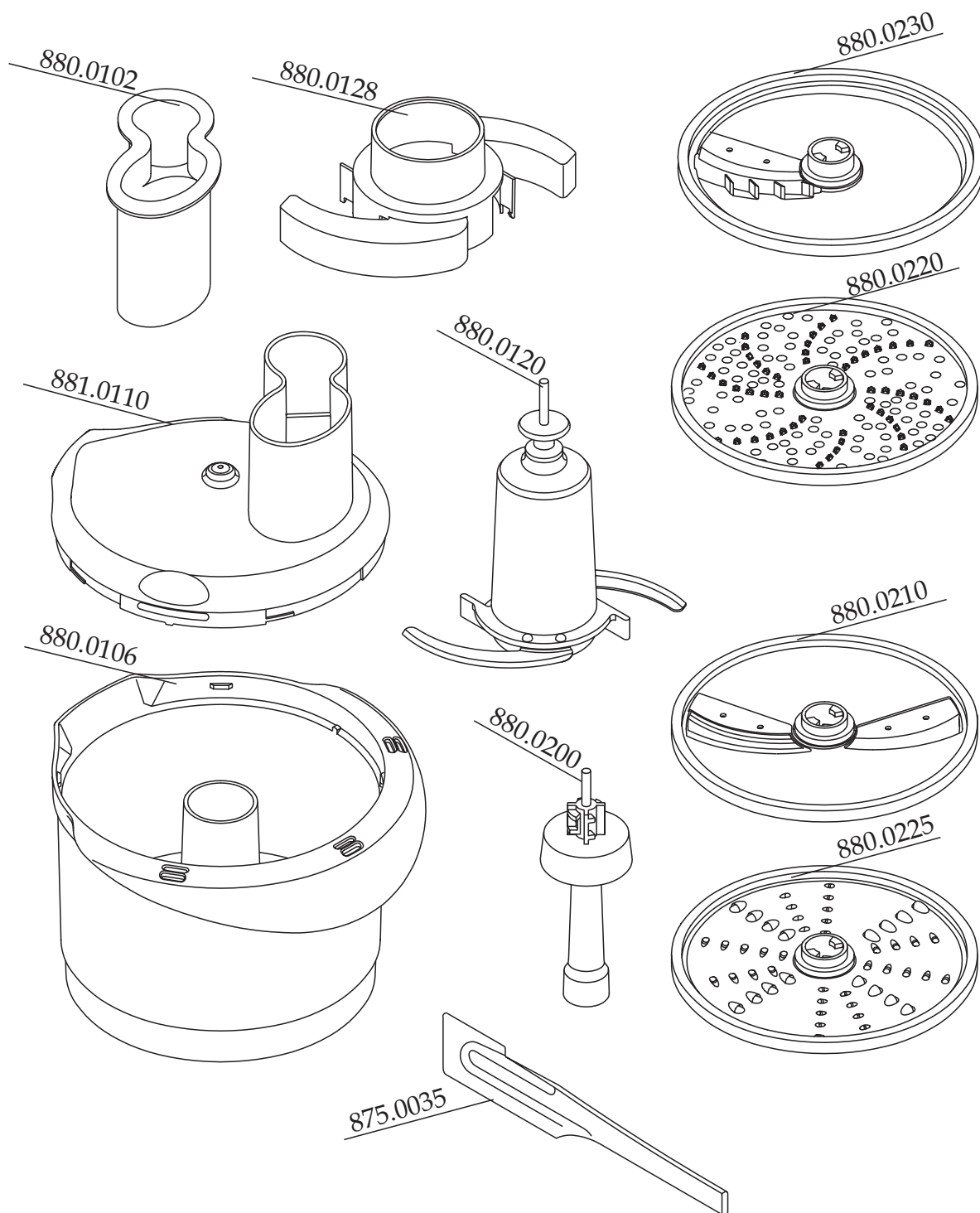
# I FOODPROCESSOR TYP 881.2

## DRIVE UNIT



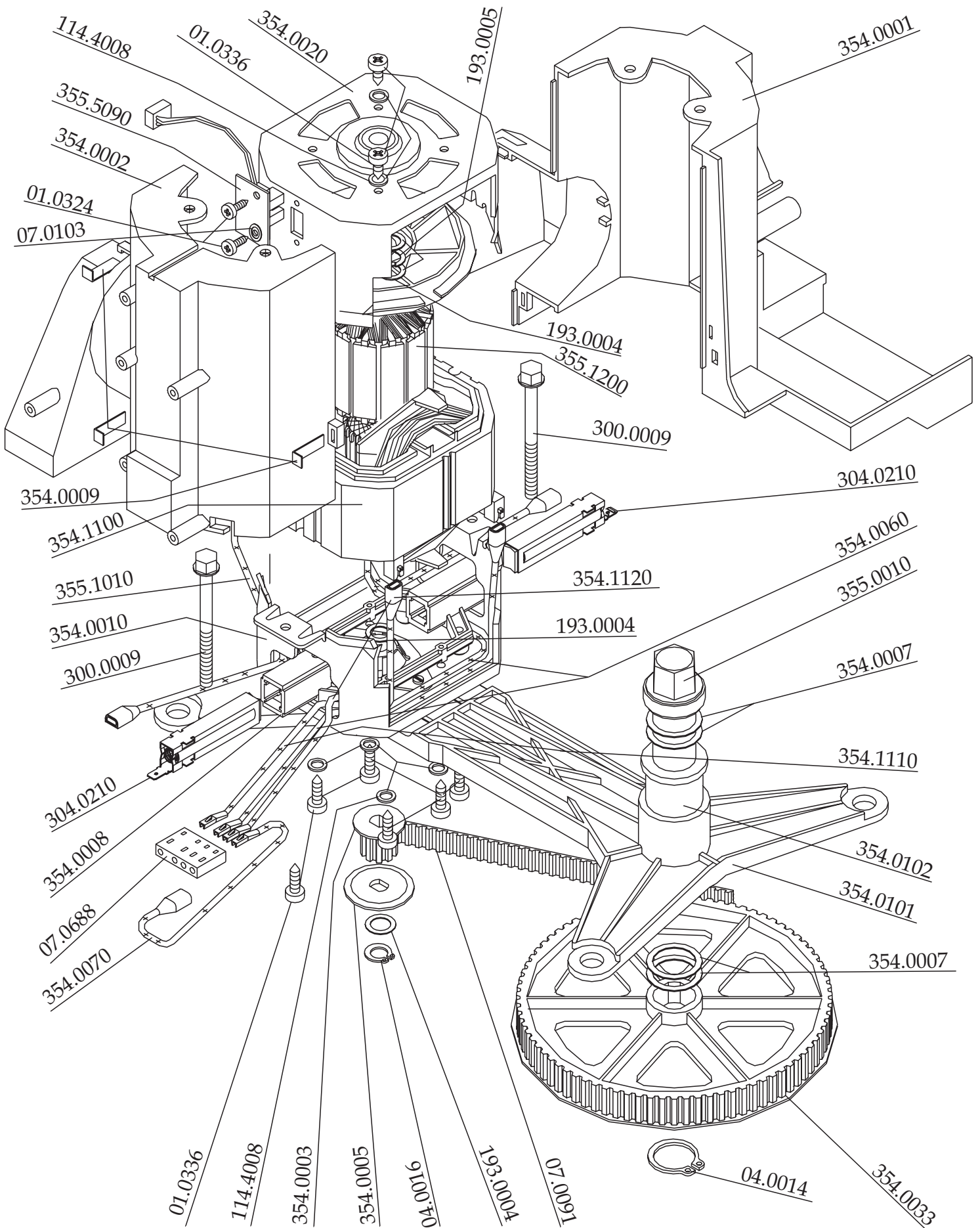
# II FOODPROCESSOR TYP 881.2

## ACCESSORIES - 881.0100



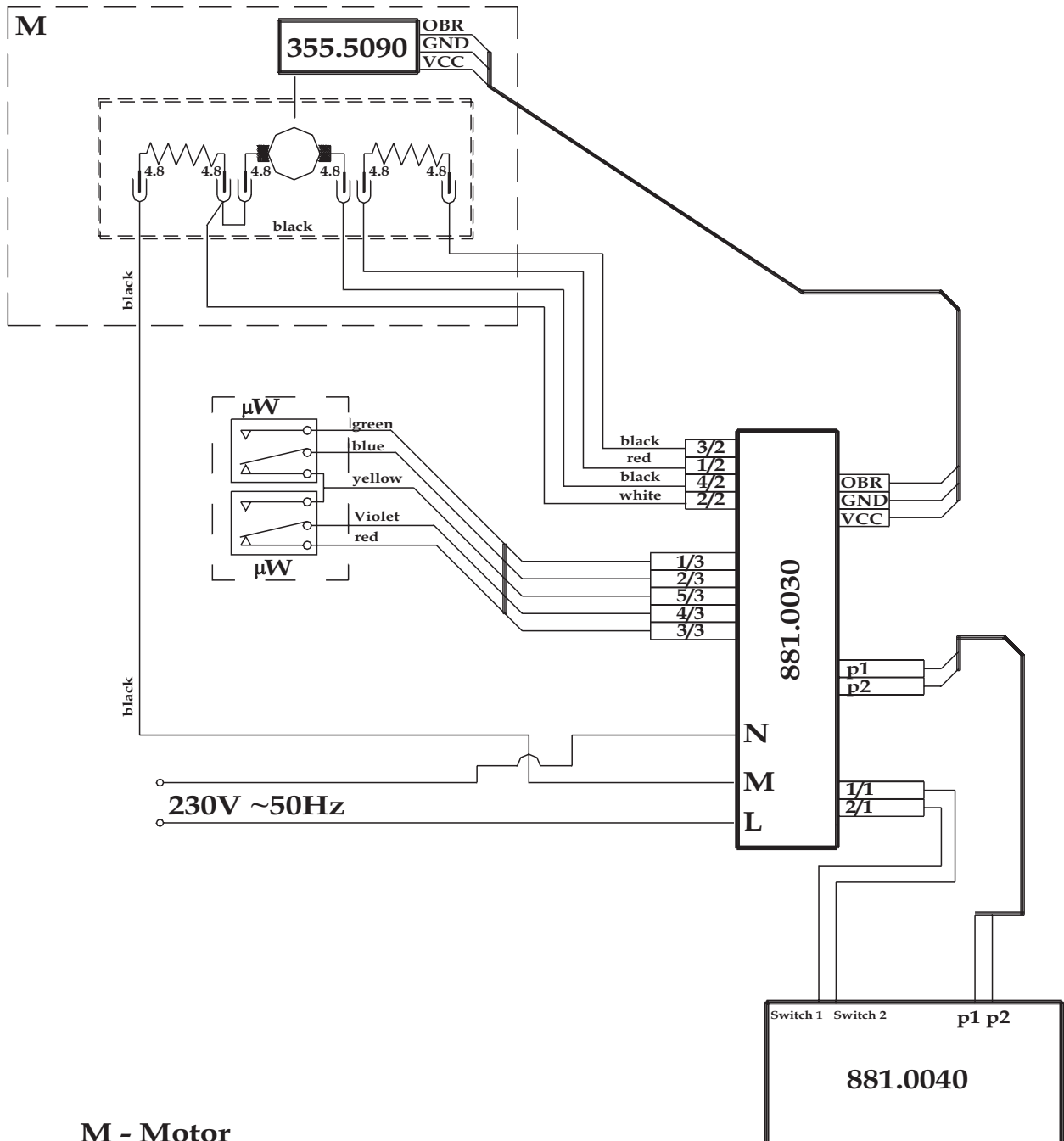
# III FOODPROCESSOR TYP 881.2

MOTOR - 355.1000



# IV FOODPROCESSOR TYP 881.2

## ELECTRIC DIAGRAM



- M - Motor
- μW - microswitch 07.0518
- 881.0030 - regulator plate
- 881.0040 - control plate
- 355.5090 - revolutions sensor