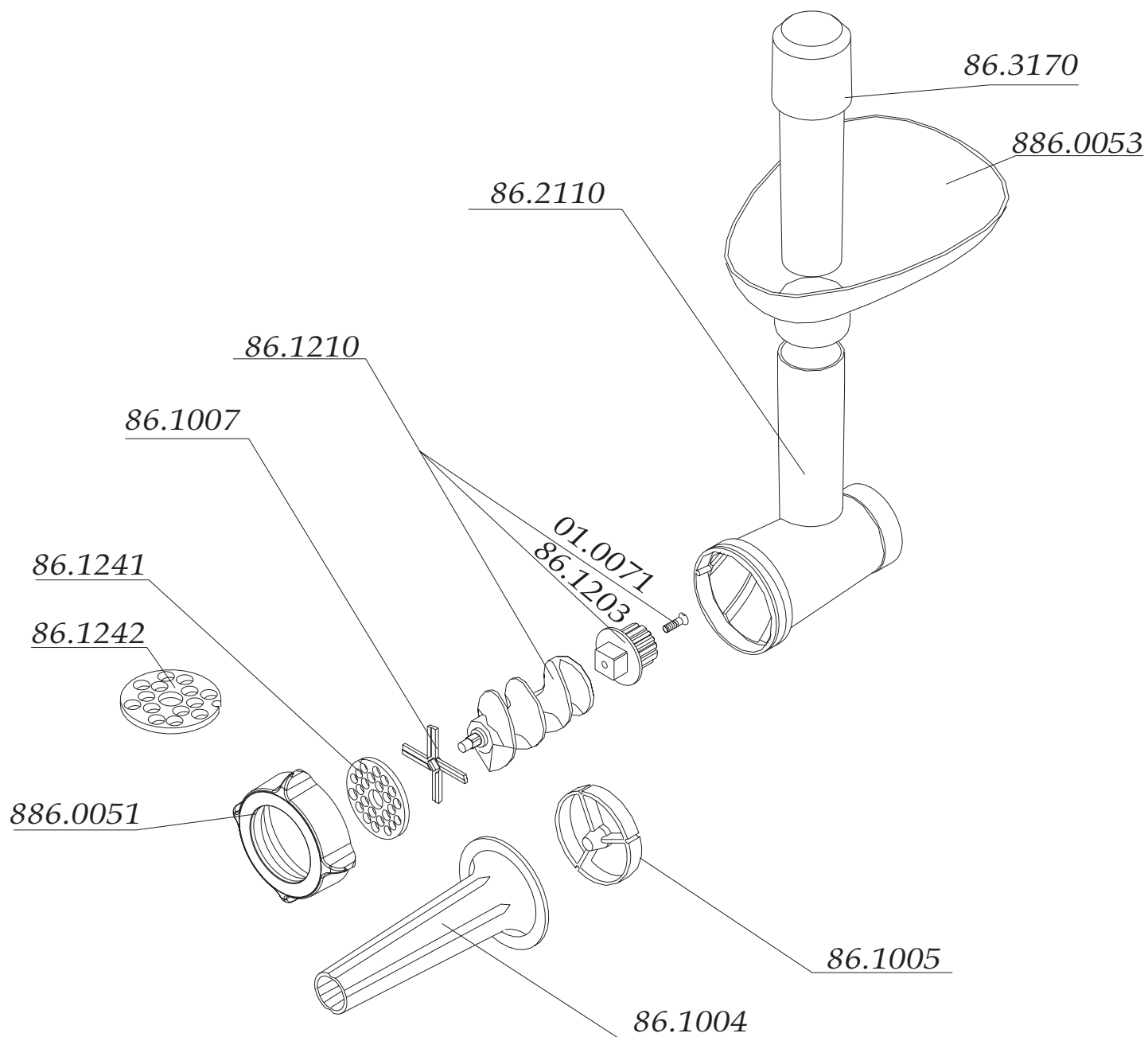
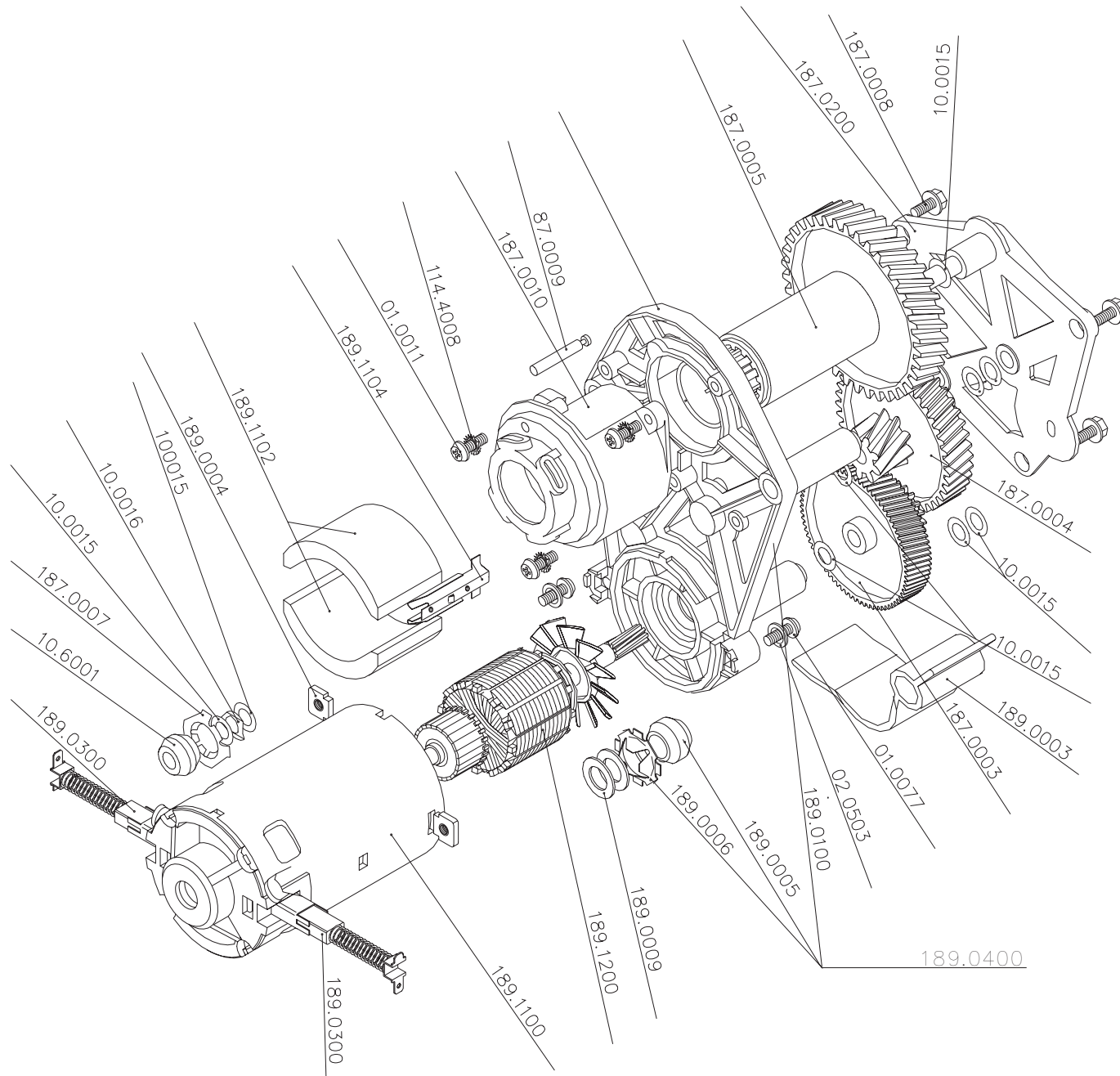


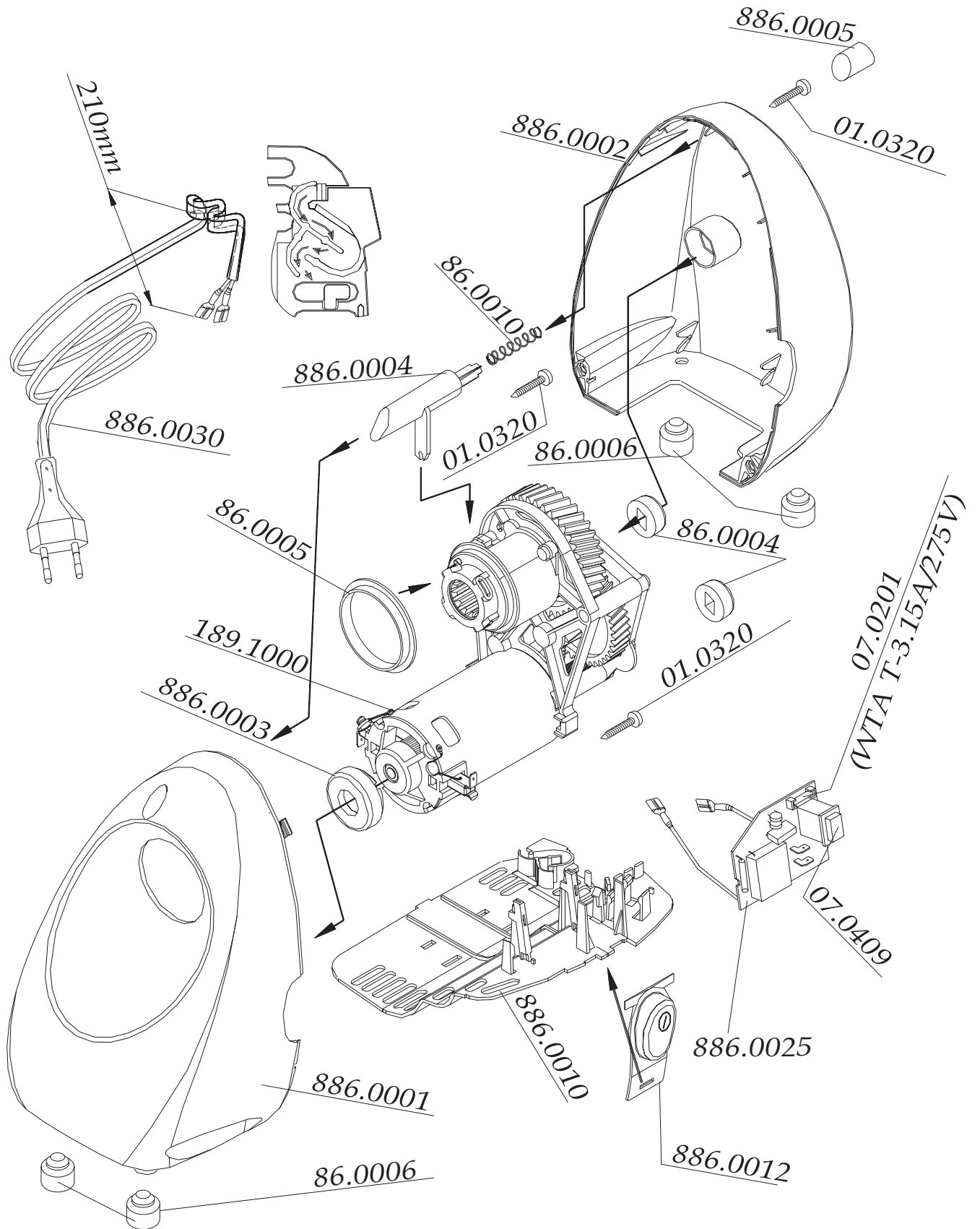
ACCESSORIES OF THE MEAT MINCER TYPE 886.5 ZELMER HUNGARY



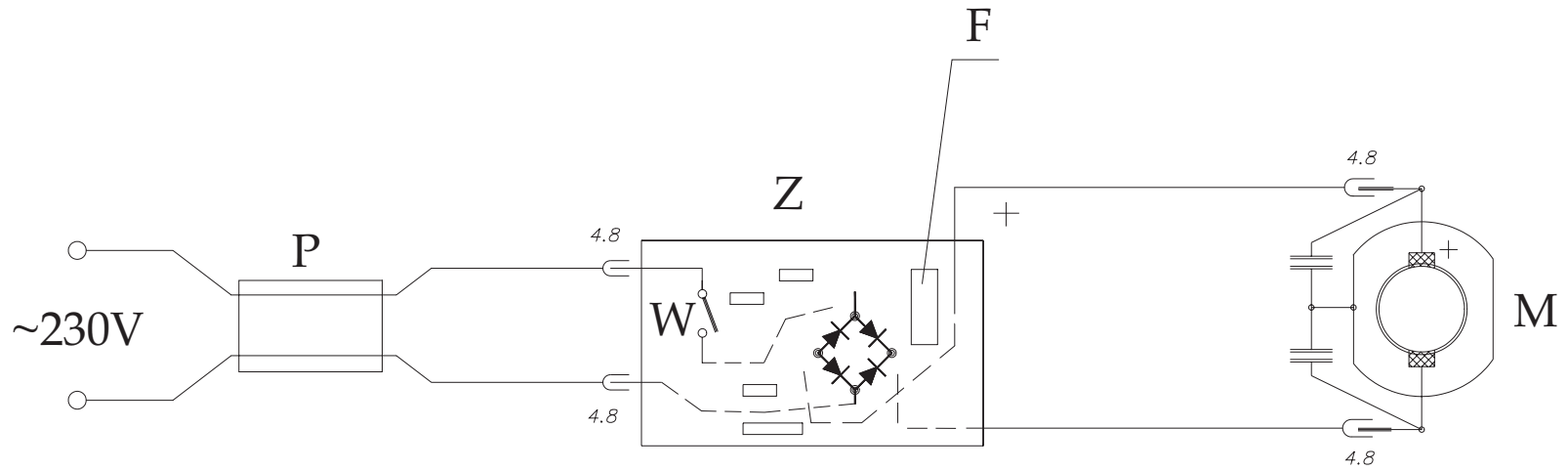
III MOTOR TYPE 189.1000 ZELMER HUNGARY



MEAT MINCER 886.5 ZELMER HUNGARY



IV ELECTRICAL DIAGRAM TYP 886.5 ZELMER HUNGARY



- M -Motor
- W -Hauptschalter
- P -Zuleitung
- Z -Beschicker
- F - Zicherung T2.5A